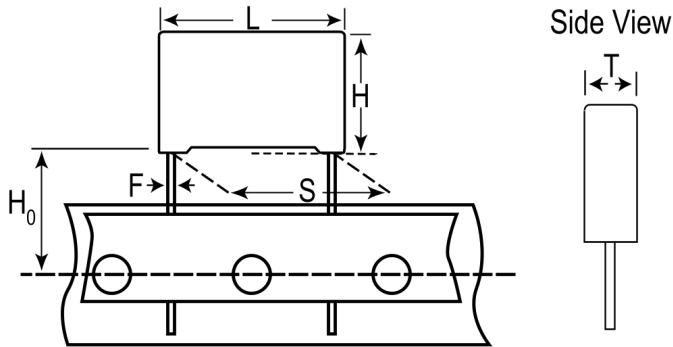


R747N2100CK00J

Aliases (747N2100CK00J)

Not for New Design

R74, Film, Metallized Polypropylene, Automotive Grade, 0.01 uF, 5%, 2000 VDC, 85°C, Lead Spacing = 22.5mm



Click [here](#) for the 3D model.

Dimensions

L	26.5mm +0.3/-0.5mm
H	15mm +0.1/-0.5mm
T	6mm +0.2/-0.5mm
S	22.5mm +0.6/-0.1mm
H ₀	18.5mm +/-0.5mm
F	0.8mm +/-0.05mm

Packaging Specifications

Packaging	T&R, Large
Packaging Quantity	700

General Information

Series	R74
Dielectric	Metallized Polypropylene
Style	Radial
Features	Automotive Grade, Pulse
RoHS	Yes
Lead	Wire Leads
Qualifications	AEC-Q200
AEC-Q200	Yes
Miscellaneous	Above 85C DC And AC Voltage Derating Is 1.25%/C.
Notes	Series Replaced by R75.

Specifications

Capacitance	0.01 uF
Capacitance Tolerance	5%
Voltage AC	700 VAC
Voltage DC	2000 VDC
Temperature Range	-55/+105°C
Rated Temperature	85°C
Dissipation Factor	0.01% 1kHz, 0.02% 10kHz, 0.08% 100kHz
Insulation Resistance	100 GOhms
Max dV/dt	4500 V/us
Resistance	63.7 mOhms (100kHz)
Ripple Current	2.7 Amps (100kHz 85C), 45 Amps (Peak)
Inductance	18 nH