

Customer Information Sheet

DRAWING No.: M50-380XX42

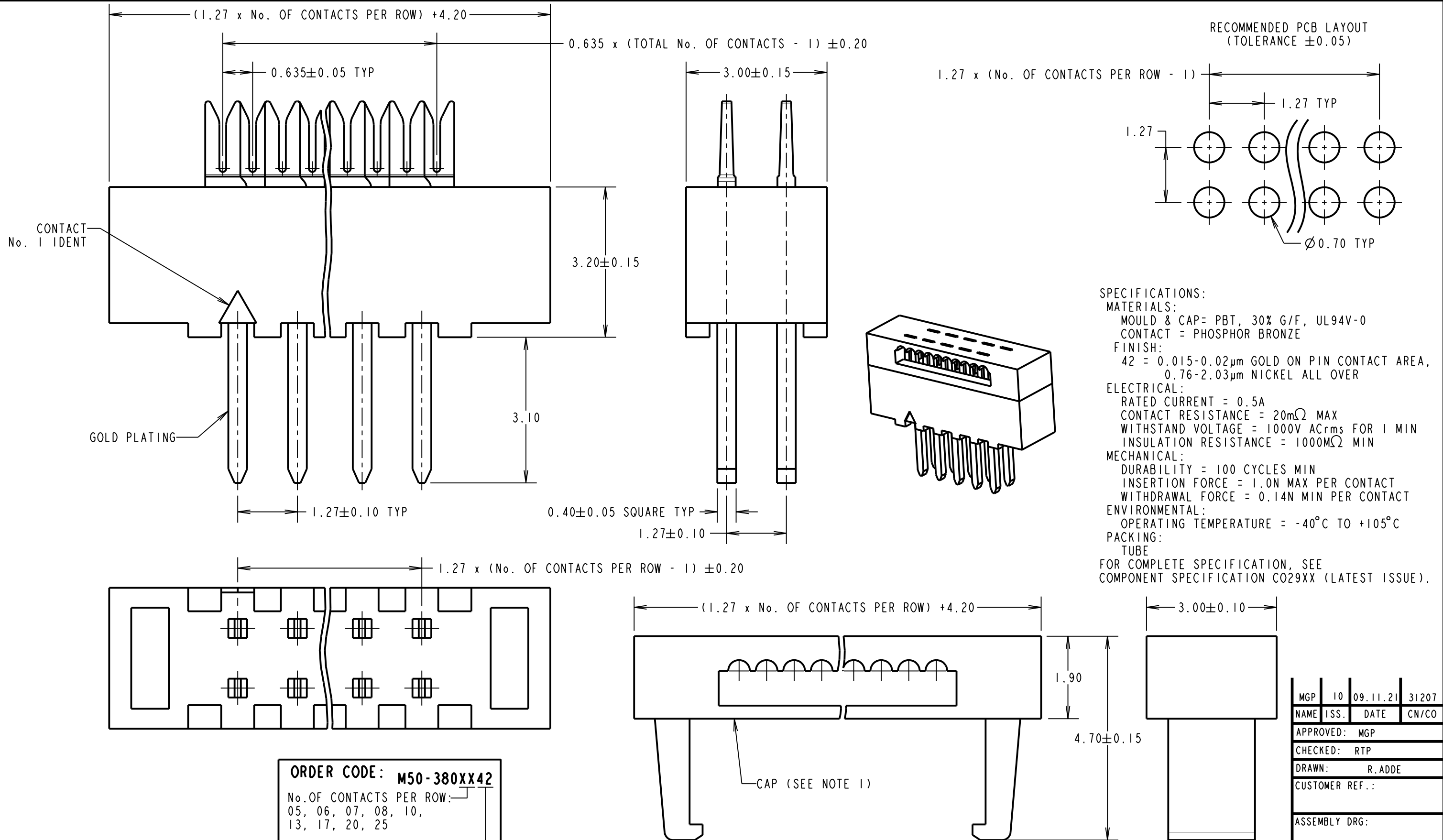
IF IN DOUBT - ASK

©

NOT TO SCALE

THIRD ANGLE PROJECTION

ALL DIMENSIONS IN mm



SPECIFICATIONS:
MATERIALS:
 MOULD & CAP= PBT, 30% G/F, UL94V-0
 CONTACT = PHOSPHOR BRONZE
FINISH:
 42 = 0.015-0.02µm GOLD ON PIN CONTACT AREA,
 0.76-2.03µm NICKEL ALL OVER
ELECTRICAL:
 RATED CURRENT = 0.5A
 CONTACT RESISTANCE = 20mΩ MAX
 WITHSTAND VOLTAGE = 1000V ACrms FOR 1 MIN
 INSULATION RESISTANCE = 1000MΩ MIN
MECHANICAL:
 DURABILITY = 100 CYCLES MIN
 INSERTION FORCE = 1.0N MAX PER CONTACT
 WITHDRAWAL FORCE = 0.14N MIN PER CONTACT
ENVIRONMENTAL:
 OPERATING TEMPERATURE = -40°C TO +105°C
PACKING:
 TUBE
 FOR COMPLETE SPECIFICATION, SEE
 COMPONENT SPECIFICATION C029XX (LATEST ISSUE).

ORDER CODE: M50-380XX42
 No. OF CONTACTS PER ROW:
 05, 06, 07, 08, 10,
 13, 17, 20, 25
 FINISH:
 SELECTIVE GOLD OVER NICKEL

- NOTES:**
1. TERMINATED HEIGHT WHEN MATED = 5.10mm
 2. ALL TOLERANCES ARE ±0.25 UNLESS OTHERWISE STATED.
 3. CONNECTOR IS RoHS AND REACH COMPLIANT.
 4. CONNECTOR IS TO BE USED WITH 30AWG WIRE.

 www.harwin.com technical@harwin.com	THIS DRAWING AND ANY INFORMATION OR DESCRIPTIVE MATTER SET OUT HEREON ARE CONFIDENTIAL AND COPYRIGHT PROPERTY OF THE HARWIN GROUP AND MUST NOT BE DISCLOSED, LOANED, COPIED OR USED FOR MANUFACTURING, TENDERING OR FOR ANY OTHER PURPOSE WITHOUT THEIR WRITTEN PERMISSION.	TOLERANCES X = ±1mm X.X = ±0.50mm X.XX = ±0.20mm X.XXX = ±0.01mm ANGLES = ±5° UNLESS STATED	MATERIAL: SEE ABOVE FINISH: SEE ABOVE S/AREA: mm ²	TITLE: 1.27mm DIL PC TAIL IDC RIBBON CABLE CONNECTOR DRAWING NUMBER: M50-380XX42	SHT 2 OF 2																										
		<table border="1"> <tr> <td>MGP</td> <td>10</td> <td>09.11.21</td> <td>31207</td> </tr> <tr> <td>NAME</td> <td>ISS.</td> <td>DATE</td> <td>CN/CO</td> </tr> <tr> <td colspan="4">APPROVED: MGP</td> </tr> <tr> <td colspan="4">CHECKED: RTP</td> </tr> <tr> <td colspan="4">DRAWN: R. ADDE</td> </tr> <tr> <td colspan="4">CUSTOMER REF.:</td> </tr> <tr> <td colspan="4">ASSEMBLY DRG:</td> </tr> </table>	MGP	10	09.11.21	31207	NAME	ISS.	DATE	CN/CO	APPROVED: MGP				CHECKED: RTP				DRAWN: R. ADDE				CUSTOMER REF.:				ASSEMBLY DRG:				
MGP	10	09.11.21	31207																												
NAME	ISS.	DATE	CN/CO																												
APPROVED: MGP																															
CHECKED: RTP																															
DRAWN: R. ADDE																															
CUSTOMER REF.:																															
ASSEMBLY DRG:																															