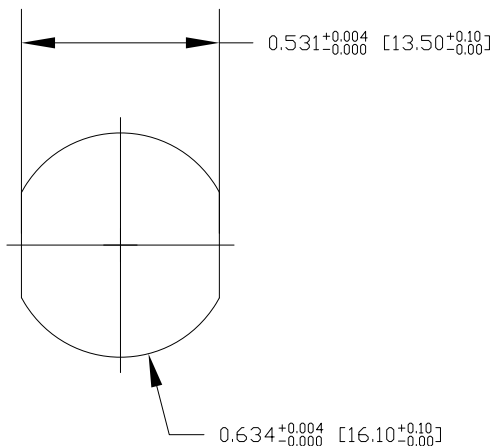
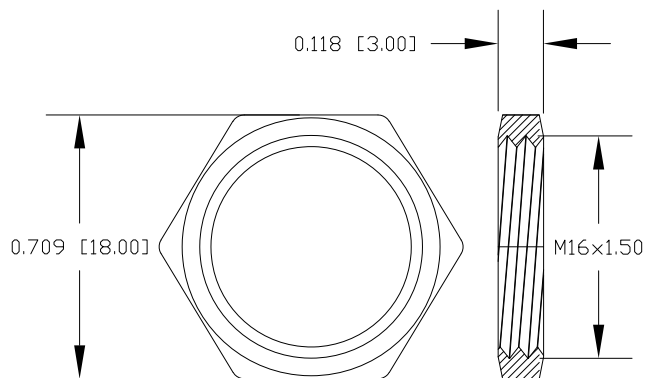


DESCRIPTION: M12 5 POSITION BRASS FEMALE PIGTAIL



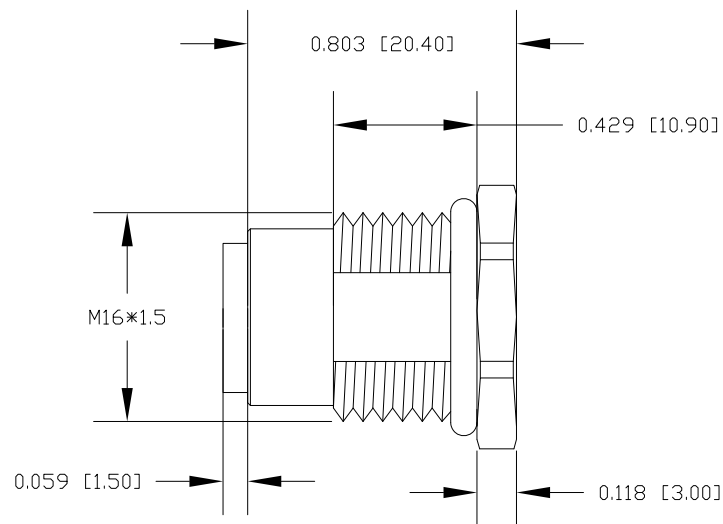
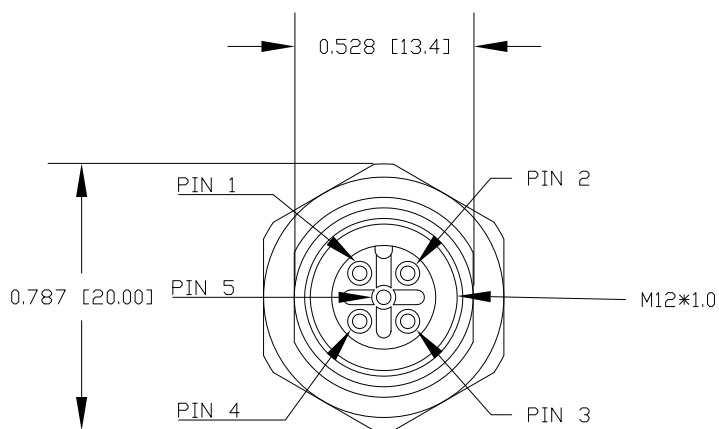
RECOMMENDED PANEL CUT-OUT



NUT

NOTE:

| | |
|------------------------|------------------------|
| MATERIAL | |
| HOUSING: | PBT UL94V-0, BLACK |
| CONTACT: | BRASS |
| NUT: | BRASS |
| SHELL: | BRASS |
| O-RING: | EPDM, BLACK |
| FINISH | |
| CONTACT: | GOLD PLATED, 10μ" Min. |
| UNDER PLATE: | NICKEL |
| NUT: | NICKEL PLATED |
| SHELL: | NICKEL PLATED |
| ELECTRICAL | |
| RATED CURRENT: | 4A |
| RATED VOLTAGE: | 60V |
| INSULATION RESISTANCE: | 100MΩ MIN |
| CONTACT RESISTANCE: | 10mΩ MAX |
| WATER PROOF: | IP67/68 |
| ENVIRONMENT | |
| OPERATION TEMPERATURE: | -40°C ~ +85°C |



RoHS COMPLIANT

UNITS IN INCHES [MM] DO NOT SCALE FROM DRAWING



THESE DRAWINGS AND SPECIFICATIONS ARE THE PROPERTY OF NorComp AND SHALL NOT BE REPRODUCED, COPIED OR USED AS THE BASIS FOR THE MANUFACTURE OR SALE OF APPARATUS WITHOUT WRITTEN PERMISSION.

DRAWN:
G. BROWN
DATE:
01/23/2019

NorComp

| | | | |
|---------------|------------|-----------------|----------|
| SCALE: NTS | SHEET 2 | OF 2 | REV 3 |
| DWG NO. | | FPM12A05IYYCR0Y | |