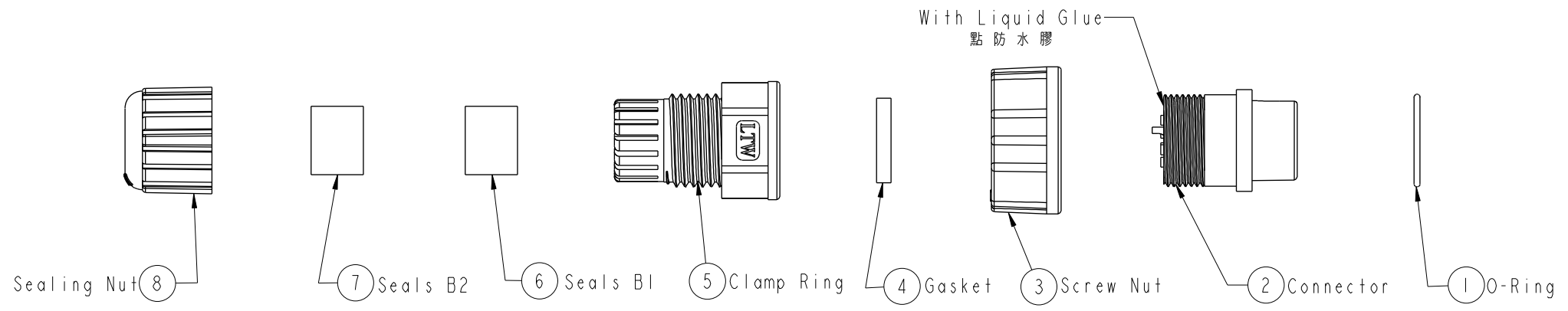


THIS DOCUMENT IS SUBJECT TO CHANGE WITHOUT NOTICE. IT IS CONFIDENTIAL AND A PROPERTY OF AMPHENOL LTW. DISCLOSURE TO THIRD PARTY HAS TO BE AUTHORIZED BY AMPHENOL LTW.

REV.	ECN NO.	DATE	SIGN	DESCRIPTION
B	LEN-9C0069	2009/12/03	Kevin	Change Pin Assignments

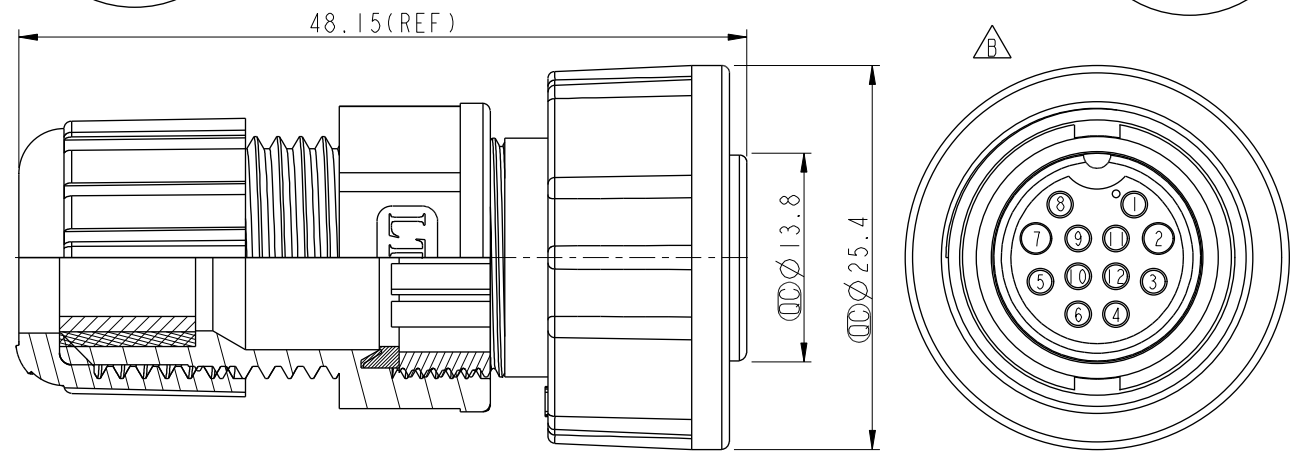


ALTW
CONFIDENTIAL
 2012-04-16
 R&D DEPT.

ALTW
DCC. DEPT.
CONFIDENTIAL
 2012-06-01
ISSUED

Note:

- * \varnothing Important Dimension To Check.
- * Waterproof Rate: IP67
- * Connector: Nylon+GF, Black
- * Male Pin: Copper Alloy, Gold Plated
- * Screw Nut: Nylon+GF, Black
- * O-Ring: EPDM, Black.
- * Gasket: Silicone, Black
- * Clamp Ring: Nylon, Black
- * Sealing-Nut: Nylon, Black.
- * Seals: EPDM, Black
- * Seals B1 for Cable OD: $\varnothing 7.6\text{mm} \sim \varnothing 9.6\text{mm}$
- * Seals B2 for Cable OD: $\varnothing 4.0\text{mm} \sim \varnothing 7.6\text{mm}$
- * One Set Unassembled in One PE Bag.
(每一組未組裝, 放置於一個PE袋, 並封口)



UNIT: mm		
TOLERANCE	.X	± 0.25
	.XX	± 0.1
	.XXX	± 0.05
ANGLES		$\pm 1^\circ$

TITLE 12Pin Female Connector Male Pin(5A+2A)			
SCALE 1:1	SIZE A4	SHEET 1 OF 1	
REV. B	WC-REV. A.2	\varnothing : Inspection item	

Amphenol LTW
安費諾亮泰企業股份有限公司

ITEM NO. CDU-12BFMA-SL7001	DRAWN BY SamChang	DATE 2012-04-16
DWG NO. CDU-12BFMA-SL7001	CHECKED BY Jeffrey	DATE 2012-06-01
CUSTOMER ALTW	APPROVED BY Lion	DATE 2012-06-01