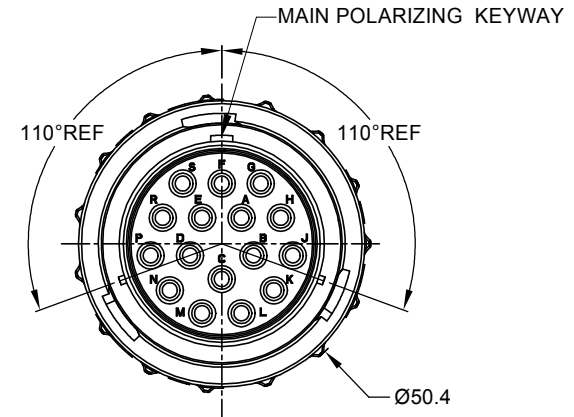
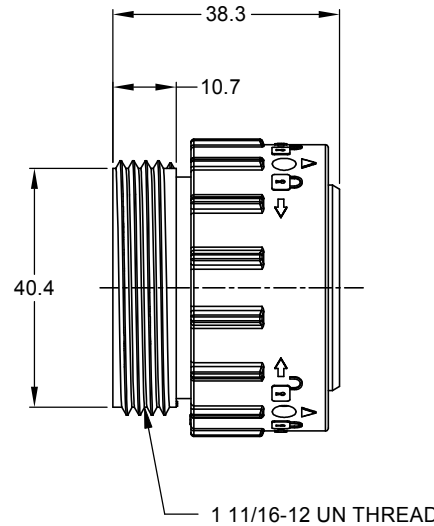
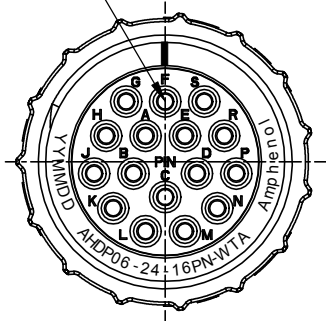


| REVISIONS |     |                     |         |       |       |
|-----------|-----|---------------------|---------|-------|-------|
| REV       | ECO | DESCRIPTION         | DATE    | BY    | APPR  |
| A1        | -   | RELEASE NEW DRAWING | 11MAY20 | BROOK | TOMMY |

△ SIZE 12 CONTACTS  
(16 PLACES)



NOTES: UNLESS OTHERWISE SPECIFIED

1. MATERIAL:

HOUSING: THERMOPLASTIC; BLACK  
SEAL: SILICONE RUBBER

2. MODIFICATIONS: THREADED ADAPTER(WTA);  
NORMAL DIA. WIRE SEAL.

3. SPECIFICATIONS:

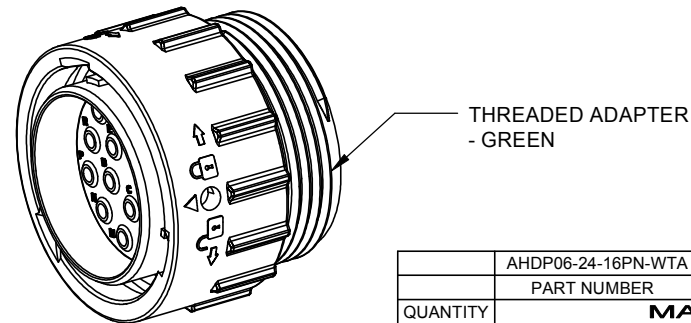
- 3.1 OPERATING TEMPERATURE: -55°C TO +125°C.
- 3.2 DIELECTRIC WITHSTANDING VOLTAGE: LESS THAN 2 MILLIAMPS CURRENT LEAKAGE @ 1500 VOLTS AC.
- 3.3 INSULATION RESISTANCE: 1000 MEGOHM MIN @ 25°C.
- 3.4 MOISTURE RESISTANCE: IP67&IP69K ( MATED CONDITION ).
- 3.5 MATING CYCLE DURABILITY: 100 CYCLES
- 3.6 RoHS COMPLIANT

4. MATING PART: AHDP04-24-16S\* (\* = SEAL TYPE )

5. ALL DIMENSIONS ARE FOR REFERENCE USE ONLY.

△ CONTACT SIZE AND WIRE RANGE:

| CONTACT SIZE | MIN. INSUL O.D.   | MAX. INSUL O.D.   | TYPICAL WIRE RANGE                  | CURRENT RATING |
|--------------|-------------------|-------------------|-------------------------------------|----------------|
| 12           | 3.40 mm (.134 in) | 4.32 mm (.170 in) | 10-14 AWG (6.0-2.0mm <sup>2</sup> ) | 25 AMPS        |



|                                      |  |  |  |                    |  |
|--------------------------------------|--|--|--|--------------------|--|
| AHDP06-24-16PN-WTA                   |  | REF:HDP26-24-16PN-L024   |  |                    |  |
| PART NUMBER                          |  | DESCRIPTION  |  | ITEM               |  |
| QUANTITY                             |  | MATERIALS LIST   |  |                    |  |
| UNLESS OTHERWISE SPECIFIED           |  | SIGNATURES   |  | DATE               |  |
| 1) All dimensions are in metric(mm). |  | DRAWN: BROOKING  |  | 11MAY20            |  |
| 2) Tolerances are as follows:        |  | CHECKED: ORONLI  |  | 12MAY20            |  |
| 1 PL DEC ±0.30                       |  | ENGINEER:  |  |                    |  |
| 2 PL DEC ±0.15                       |  | APPROVAL: TOMMY.XIE  |  | 13MAY20            |  |
| 3 PL DEC ±0.08                       |  | CUSTOMER:  |  |                    |  |
| 3) Note reference = △                |  | THIS DRAWING IS SUPPLIED FOR INFORMATION ONLY. DESIGN FEATURES, SPECIFICATIONS AND PERFORMANCE DATA SHOWN HEREON ARE THE PROPERTY OF THE AMPHENOL CORPORATION. NO RIGHTS OF REPRODUCTION ARE IMPLIED. ALL DIMENSIONS ARE SUBJECT TO NORMAL MANUFACTURING VARIATIONS. |  |                    |  |
| MATERIAL SPECIFICATIONS:             |  | SCALE  |  | NONE               |  |
| PROCESS SPECIFICATIONS:              |  | SIZE   |  | TYPE               |  |
| NEXT ASSY:                           |  | B C-   |  | AHDP06-24-16PN-WTA |  |
|                                      |  | SCALE  |  | DURAMATE           |  |
|                                      |  | TYPE   |  | SHEET 1 OF 1       |  |
|                                      |  | DWG NO:  |  | REVISION           |  |
|                                      |  | A1   |  | A1                 |  |

TITLE: PLUG, 24 SZ, 16-PIN, REVERSE ARRANGEMENT, NORMAL SEAL, WTA, AHPD SERIES  
DWG NO.: AHDP06-24-16PN-WTA  
REV: A1  
SH: 1  
OF: 1

**Amphenol**

Sine Systems - www.amphenol-sine.com  
44724 Morley Drive  
Clinton Township, MI 48036

PLUG, 24 SZ, 16-PIN, REVERSE  
ARRANGEMENT, NORMAL SEAL, WTA, AHPD SERIES