



LAYOUT SHOWN AS EXAMPLE

Keying Shown as example

**CHARACTERISTICS**

- Standard : Based on MIL-DTL-38999 Series III
- Shell Material : Aluminium
- Shell Plating : Olive drab Cadmium
- Insulator : Thermoplastic
- Contacts : Copper Alloy
- Seals & Grommet : Silicon Elastomer
- Contact Plating : Gold over copper Alloy 0.8µm minimum
- Durability : 500 Mating cycles
- Delivered with Souriau contacts and Accessories
- Temperature Range : -65°C to +175°C
- Salt Spray : 500 hours
- Mass : 38.39 g ± 10%

| Connector dimension |               |
|---------------------|---------------|
| Dim                 | Nominal       |
| P                   | 3.25±0.2      |
| PP                  | 4.93±0.2      |
| R1                  | 26.97         |
| R2                  | 24.61         |
| S                   | 33.3±0.3      |
| V                   | 20.83+0/-1.25 |
| W                   | 2.1/2.5       |
| Z                   | 31.5 Max      |
| VV THREAD           | M25x1-6g      |

SOURIAU shall not be liable for any non-conformity or damage due to a use of the Products which does not comply with the Specifications issued by either of the Parties or by a third party (professional recommendation, technical notice.)

| Country | Jurisdiction & Control List |
|---------|-----------------------------|
| FR      | Not Listed                  |

**PN: 8D017W99BA**

|                |                                       |                                    |   |
|----------------|---------------------------------------|------------------------------------|---|
| B              | 17-04-17                              | Drawing Update                     |   |
| ISS            | DATE                                  | Latest modification - by           | MOD N°  |
| Designed By:   |                                       | Date:                              | <b>CUSTOMER DRAWING</b>   |
| <b>TITLE</b>   | <b>Aluminium Receptacle 8D series</b> |                                    |   |
| SCALE          | NA                                    | General linear Tolerances: ±--     | NPRDS / PROJECT<br><b>859</b>   |
| <b>SOURIAU</b> | <b>WWW.SOURIAU.COM</b>                |                                    | This document is the property of SOURIAU it must not be reproduced or communicated without permission |
| FORMAT         | <b>A3</b>                             |                                    | SHEET<br>1/2  |
|                |                                       | <b>SOURIAU DRG N° 8D017W99BA-C</b> |   |

|                |                          |   |   |    |   |    |   |                                    |
|----------------|--------------------------|---|---|----|---|----|---|------------------------------------|
| BASIC SERIES:  | 8D                       | 0 | - | 17 | W | 99 | B | A                                  |
| SHELL TYPE :   | Square Flange Receptacle |   |   |    |   |    |   |                                    |
| CONTACT TYPE : | Standard Crimp Contact   |   |   |    |   |    |   |                                    |
| SHELL SIZE :   | 17                       |   |   |    |   |    |   |                                    |
| PLATING :      | W = Olive drab Cadmium   |   |   |    |   |    |   |                                    |
|                |                          |   |   |    |   |    |   | ORIENTATION : A                    |
|                |                          |   |   |    |   |    |   | CONTACT TYPE : SOCKET(500 Matings) |
|                |                          |   |   |    |   |    |   | CONTACT LAYOUT : 17-99             |

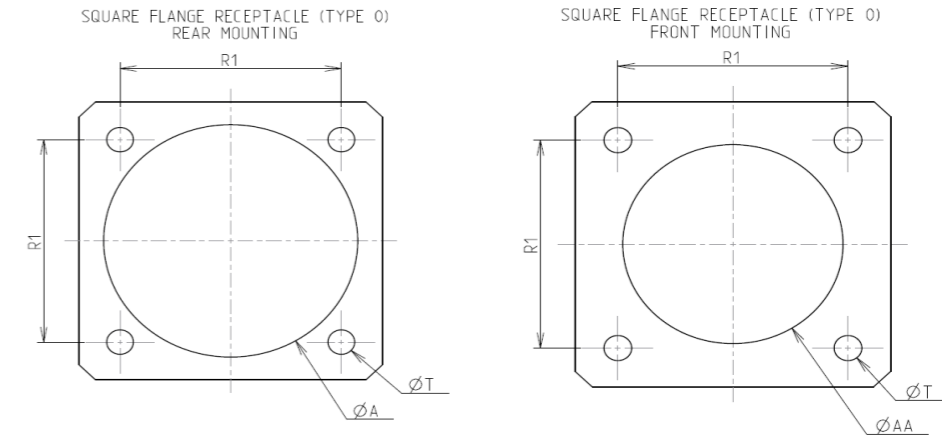
Contact Layout



| Contacts<br>(Insert arrangement 17-99) |                  |             |                     |                  |             |
|--|------------------|-------------|---------------------|------------------|-------------|
| Contact position ID                    | Contact location |             | Contact position ID | Contact location |             |
|  | X-axis (mm)      | Y-axis (mm) |                     | X-axis (mm)      | Y-axis (mm) |
| A                                      | .000 (0.00)      | +321 (8.15) | N                   | -305 (7.75)      | +099 (2.51) |
| B                                      | +131 (3.33)      | +293 (7.44) | P                   | -239 (6.07)      | +214 (5.44) |
| C                                      | +239 (6.07)      | +214 (5.44) | R                   | -131 (3.33)      | +293 (7.44) |
| D                                      | -305 (7.75)      | -099 (2.51) | e                   | 070 (1.78)       | -177 (4.50) |
| E                                      | +319 (8.10)      | -034 (0.86) | T                   | +070 (1.78)      | +177 (4.50) |
| F                                      | +278 (7.06)      | -161 (4.09) | U                   | +175 (4.45)      | +094 (2.39) |
| G                                      | +189 (4.80)      | -260 (6.60) | V                   | +150 (3.81)      | -075 (1.91) |
| H                                      | +067 (1.70)      | -314 (7.98) | W                   | +000 (0.00)      | -161 (4.09) |
| J                                      | -067 (1.70)      | -314 (7.98) | X                   | -150 (3.81)      | -075 (1.91) |
| K                                      | -189 (4.80)      | -260 (6.60) | Y                   | -175 (4.45)      | +094 (2.39) |
| L                                      | -278 (7.06)      | -161 (4.09) | Z                   | +000 (0.00)      | +025 (0.64) |
| M                                      | -319 (8.10)      | -034 (0.86) |                     |                  |             |

| Shell size | Arrangement no. | Number of contacts | Size contacts | Service rating | Contact position ID | Supersedes |
|------------|-----------------|--------------------|---------------|----------------|---------------------|------------|
| 17         | -99             | 2                  | 16            | I              | W, Z                | MS20053-99 |
|            |                 | 21                 | 20            |                | All others          |            |

Panel Cutout



Max. thickness panel for receptacle: Type 0: front mounting = 3.2 mm, rear mounting = 2.5 mm

| Dim | Nominal    |
|-----|------------|
| ØA  | 30.96 min  |
| ØAA | 25.81 min  |
| R1  | 26.97      |
| ØT  | 3.25 ±0.13 |

SOURIAU shall not be liable for any non-conformity or damage due to a use of the Products which does not comply with the Specifications issued by either of the Parties or by a third party (professional recommendation, technical notice.)

| Country | Jurisdiction & Control List |
|---------|-----------------------------|
| FR      | Not Listed                  |

PN: 8D017W99BA

|                |                                    |                                |   |
|----------------|------------------------------------|--------------------------------|---|
| B              | 17-04-17                           | Drawing Update                 |   |
| ISS            | DATE                               | Latest modification - by       | MOD N°  |
| Designed By:   |                                    | Date:                          | <b>CUSTOMER DRAWING</b>   |
| <b>TITLE</b>   | Aluminium Receptacle 8D series     |                                |   |
| SCALE          |                                    | General linear Tolerances: ±-- | NPRDS / PROJECT<br><b>859</b>   |
| NA             |                                    |                                |   |
| <b>SOURIAU</b> | <b>WWW.SOURIAU.COM</b>             |                                | This document is the property of SOURIAU it must not be reproduced or communicated without permission |
| FORMAT         | <b>SOURIAU DRG N° 8D017W99BA-C</b> |                                | SHEET<br>2/2  |