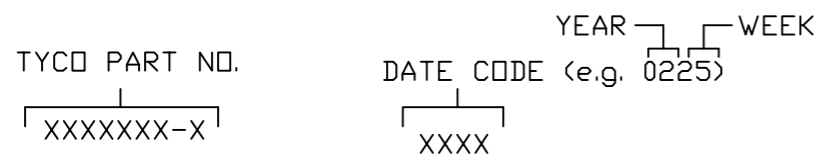


This drawing involves proprietary design rights of Tyco Electronics Corporation, and all design, manufacture, reproduction, use and sale rights regarding the same are expressly reserved. It is submitted for a specific purpose and the recipient by accepting this drawing, assumes custody and control and agrees to take reasonable precautions; (a) that this drawing will not be copied and reproduced, in whole or in part, or its contents revealed in any manner, or to any person except to meet the purpose for which it was delivered and (b) that any special features peculiar to this design will not be incorporated in other projects without the expressed written permission of Tyco Electronics Corporation.

REVISIONS			
EC	REV	DESCRIPTION	DATE
13306	A	NEW RELEASE	03/06/02
---	A1	CORRECTED DIMENSION TYPO, 2.720 TO 2.72	10/11/05

4 ITEMS PROVIDED TO THIS SPECIFICATION TO BE PERMANENTLY IDENTIFIED PER THE FOLLOWING IDENTIFIER:



3 RECOMMENDED MOUNTING HARDWARE: TO BE ORDERED SEPARATELY. SHOWN FOR REFERENCE ONLY.

- FOR PANEL MOUNTING, USE:
 PN 1650402-1: SHOULDER SCREW, #8-32
 PN 1650589-1: SHOULDER SCREW, M4 X 0.7

2. MATERIALS:

HOUSINGS: THERMOPLASTIC, GLASS REINFORCED, UL94V-0 FLAMMABILITY RATED, COLOR-BLACK.
 RETENTION CLIPS: BERYLLIUM COPPER OR STAINLESS STEEL.

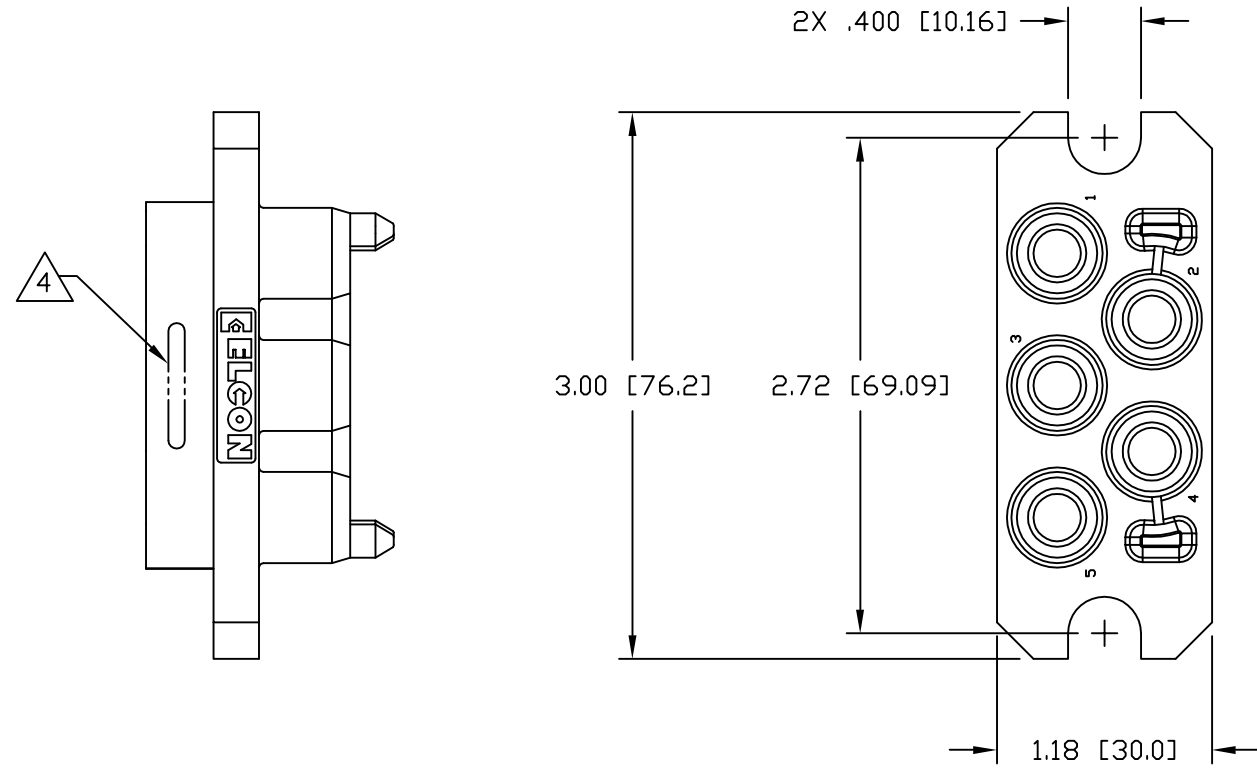
1. PART NUMBER CHANGES AND OR DESIGN CHANGES AFFECTING ITEM INTERCHANGEABILITY REQUIRE PRIOR ELCON APPROVAL AND AUTHORIZATION BY REVISION TO THIS DRAWING.

NOTES: UNLESS OTHERWISE SPECIFIED

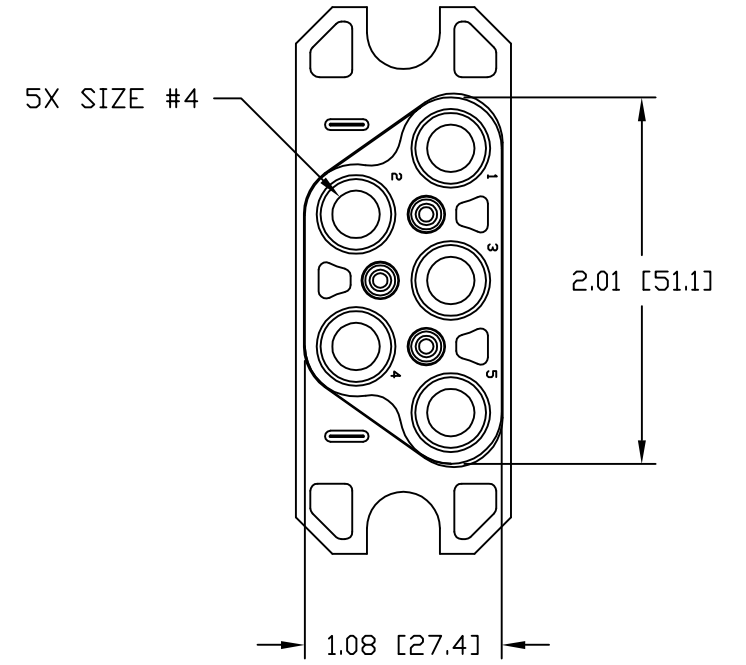
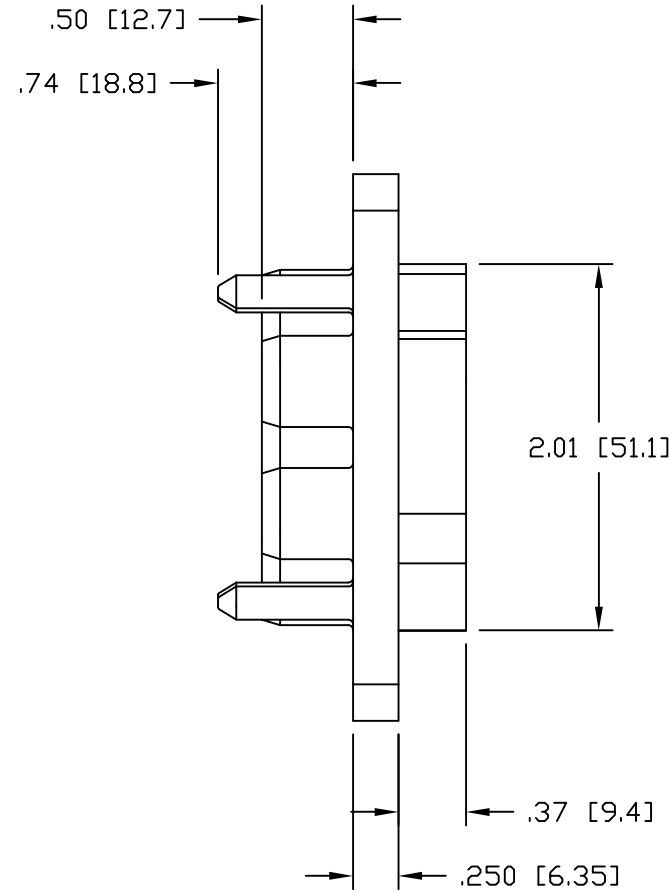
<p>THIRD ANGLE PROJECTION</p>	<p>INCH OR INCH (MM)</p> <p>MM</p>	<p>DRAWN</p> <p>T. FARLEY</p>	<p>DATE</p> <p>10/12/05</p>	<p>tyco Tyco Electronics Corporation ELCON Electronics Menlo Park, Ca 94025</p>	
	<p>UNLESS OTHERWISE SPECIFIED DIMENSIONS ARE IN INCHES (METRIC)</p> <p>TOLERANCES</p> <p>ANGLES ± .5°</p> <p>DECIMALS</p> <p>.XXX ± .010 (.25) .XX ± .02 (.3)</p>	<p>CHECKED</p> <p>APPROVED</p> <p>APPROVED</p> <p>D. CHAU 10/12/05</p> <p>DCA APPROVED</p> <p>M. ALIM 10/12/05</p> <p>ACAD FILE NUMBER C6651458A1.DWG</p>	<p>TITLE</p> <p>CONNECTOR, SOCKET P5S0 DRAWER PN 6651458-1</p>		<p>SIZE</p> <p>B</p>
				<p>REV.</p> <p>A1</p>	<p>DWG SCALE 1=1</p>
				<p>SH 1 OF 3</p>	

This drawing involves proprietary design rights of Tyco Electronics Corporation, and all design, manufacture, reproduction, use and sale rights regarding the same are expressly reserved. It is submitted for a specific purpose and the recipient by accepting this drawing, assumes custody and control and agrees to take reasonable precautions; (a) that this drawing will not be copied and reproduced, in whole or in part, or its contents revealed in any manner, or to any person except to meet the purpose for which it was delivered and (b) that any special features peculiar to this design will not be incorporated in other projects without the expressed written permission of Tyco Electronics Corporation.

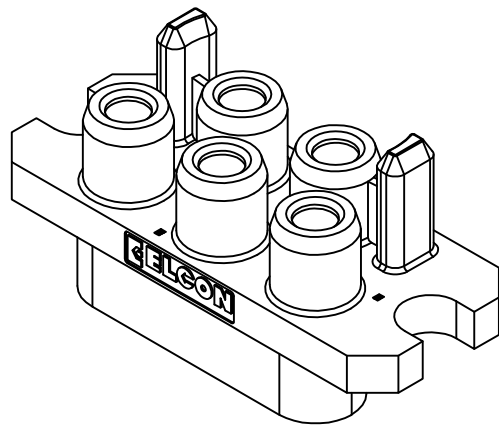
REVISIONS			
EC	REV	DESCRIPTION	DATE
		SEE SHEET 1	



FRONT VIEW



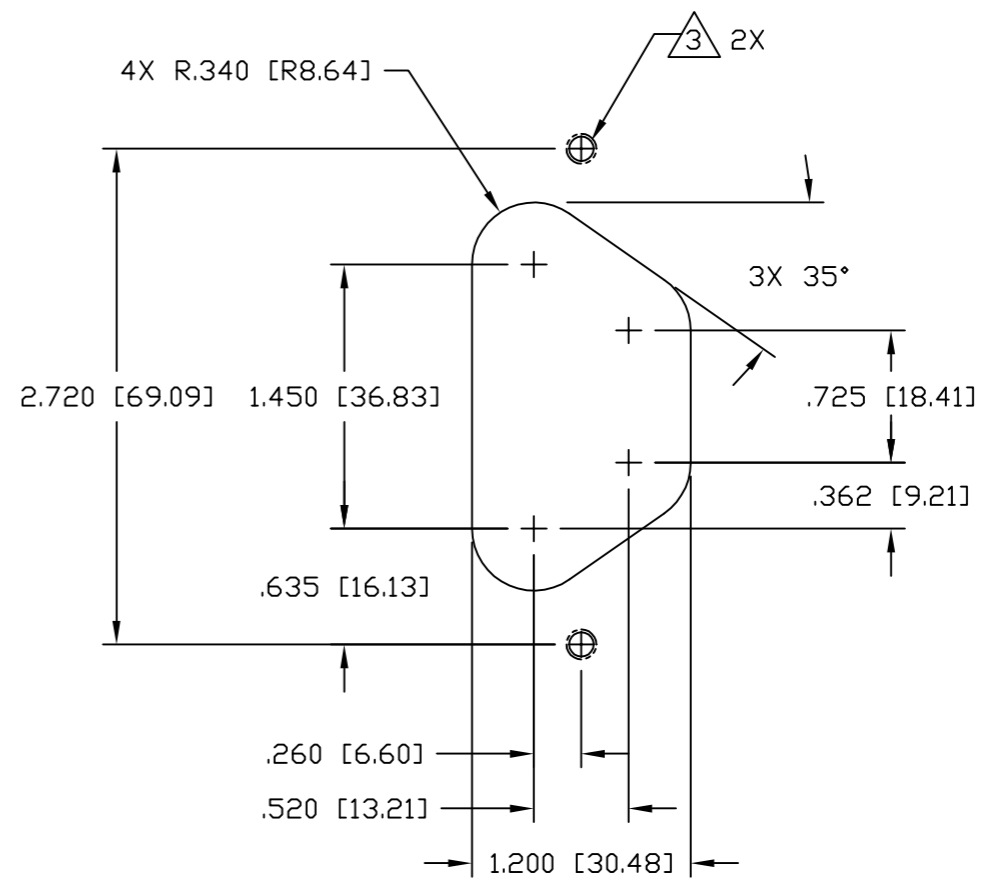
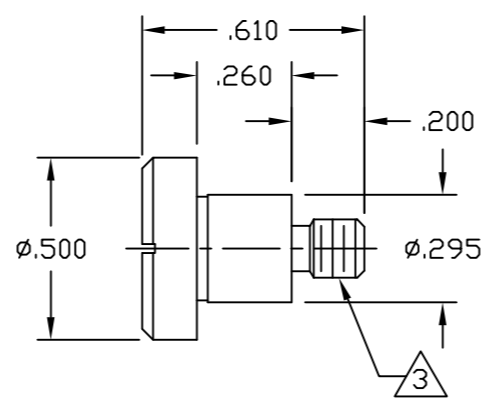
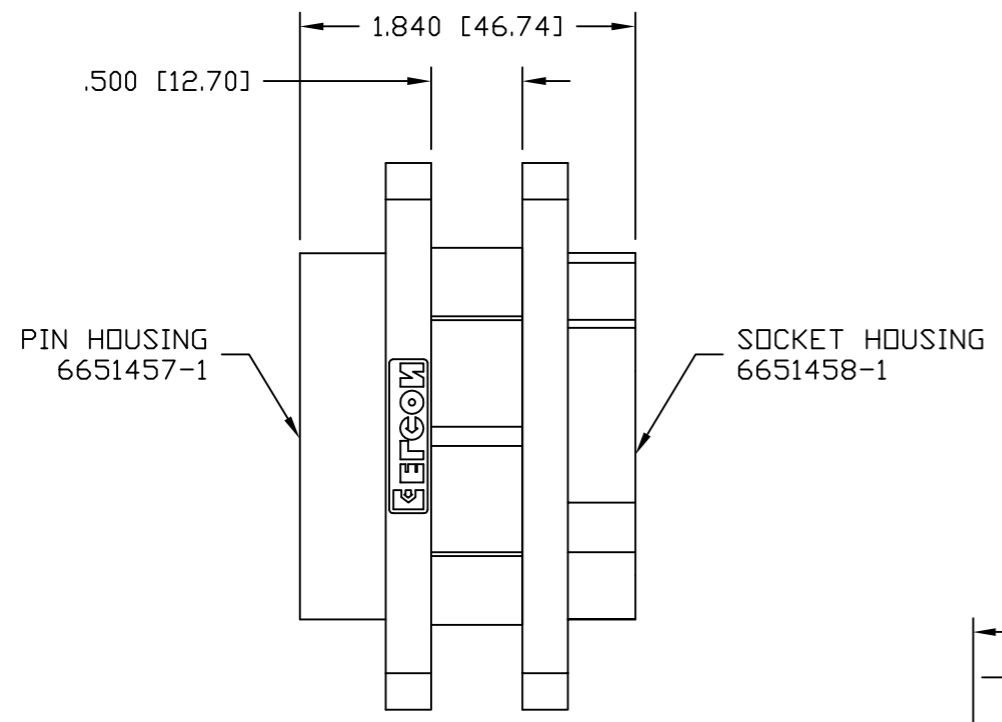
REAR VIEW



INCH OR INCH (MM) THIRD ANGLE PROJECTION UNLESS OTHERWISE SPECIFIED DIMENSIONS ARE IN INCHES (METRIC) TOLERANCES ANGLES ± .5° DECIMALS .XXX ± .010 (.25) .XX ± .02 (.3)	DRAWN	DATE	Tyco Electronics Corporation Menlo Park, Ca 94025		
	T. FARLEY	10/12/05	TITLE		
	CHECKED		CONNECTOR, SOCKET		
	APPROVED		P5S0 DRAWER		
	APPROVED		PN 6651458-1		
	D. CHAU	10/12/05	SIZE	DWG NUMBER	REV.
	M. ALIM	10/12/05	B	C = 6651458	A1
	ACAD FILE NUMBER	C6651458A1.DWG		DWG SCALE	SH 2 OF 3
				1 = 1	

This drawing involves proprietary design rights of Tyco Electronics Corporation, and all design, manufacture, reproduction, use and sale rights regarding the same are expressly reserved. It is submitted for a specific purpose and the recipient by accepting this drawing, assumes custody and control and agrees to take reasonable precautions; (a) that this drawing will not be copied and reproduced, in whole or in part, or its contents revealed in any manner, or to any person except to meet the purpose for which it was delivered and (b) that any special features peculiar to this design will not be incorporated in other projects without the expressed written permission of Tyco Electronics Corporation.

REVISIONS			
EC	REV	DESCRIPTION	DATE
		SEE SHEET 1	



SUGGESTED PANEL CUTOUT
VIEWED FROM CONNECTOR MOUNTING SIDE
SOCKET HOUSING 6651458-1

<p>THIRD ANGLE PROJECTION</p> <p>UNLESS OTHERWISE SPECIFIED DIMENSIONS ARE IN INCHES (METRIC)</p> <p>TOLERANCES</p> <p>ANGLES ± .5°</p> <p>DECIMALS</p> <p>.XXX ± .010 (.25)</p> <p>.XX ± .02 (.3)</p>	<p>INCH OR INCH (MM)</p> <p>MM</p>	<p>DRAWN</p> <p>T. FARLEY</p>	<p>DATE</p> <p>10/12/05</p>	<p>tyco Tyco Electronics Corporation Electronics Menlo Park, Ca 94025</p>	<p>ELCON</p>
	<p>CHECKED</p>	<p>APPROVED</p>	<p>APPROVED</p> <p>D. CHAU 10/12/05</p>	<p>TITLE</p> <p>PANEL CUTOUT AND MATED CONDITION P5SO DRAWER PN 6651458-1</p>	
	<p>DCA APPROVED</p> <p>M. ALIM 10/12/05</p>	<p>ACAD FILE NUMBER</p> <p>C6651458A1.DWG</p>	<p>SIZE</p> <p>B</p>	<p>DWG NUMBER</p> <p>C = 6651458</p>	<p>REV.</p> <p>A1</p>
	<p>DWG SCALE 1=1</p>		<p>SH 3 OF 3</p>		