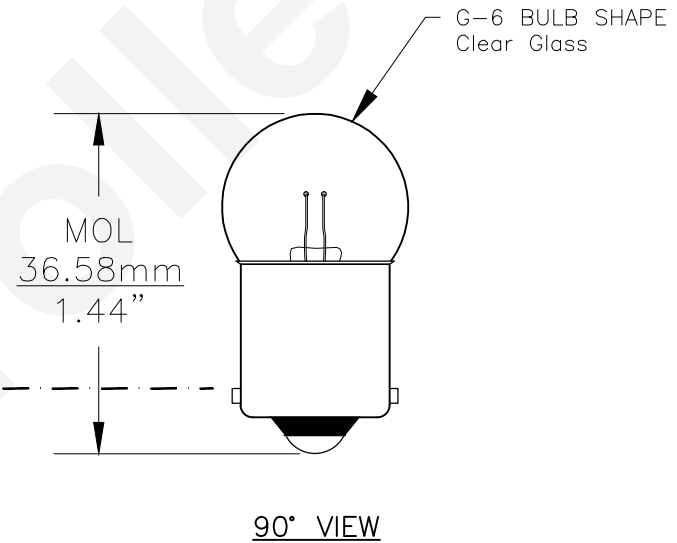
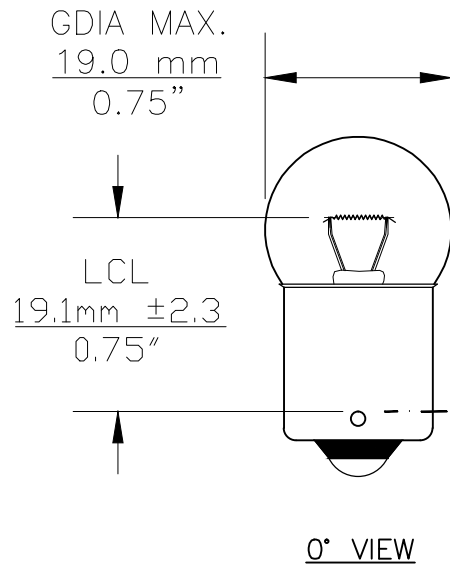
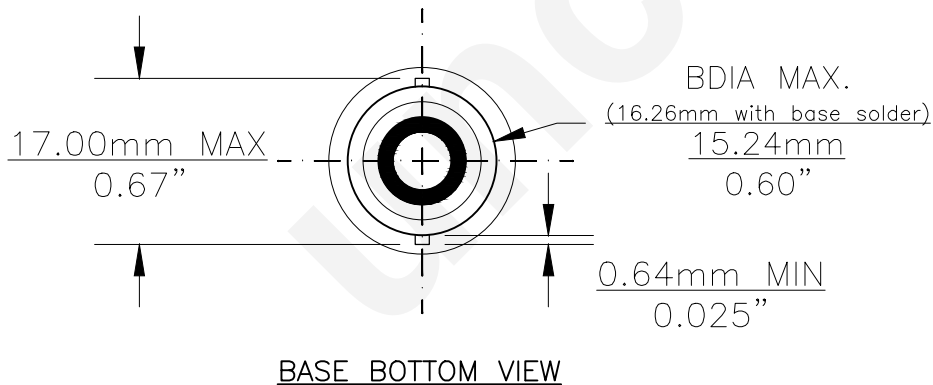




PART NO.	BASE TYPE	DESIGN VOLTS	DESIGN AMPS	MSCD	FILAMENT TYPE	AVERAGE LIFE HOURS	REVISIONS			
							REV #	DESCRIPTION	DATE	APPROVED
623	S.C. BAYONET (BA15s)	28.0V	0.37±20%	6 ±20%	2C-6	1000	1	ADDRESS CHANGE, EXTRA VIEW	05/31/2006	D.C.
							2	REDRAWN FOR ADDITIONAL VIEW	11/03/2014	R.M.
							3	CORRECTED PART # ON TOP, REDRAWN	10/10/2016	R.M.



REFERENCE PLANE



Note: Made according to SAE specifications

UNLESS OTHERWISE SPECIFIED: DIMENSIONS ARE IN INCHES TOLERANCES		CEC INDUSTRIES LTD	
DECIMALS .XX ± .05	ANGULAR ± 0.5°	599 BOND STREET	LINCOLNSHIRE, IL 60069
.XXX ± .010	FRACTIONAL ± 1/64	TITLE LIGHT BULB NO. 623	
DRAWN ELIZABETH SONANES	DATE 01/02/2001	SIZE A	FSCM NO. 623
CHECKED	DESIGN	DWG NO. 623	REV 3
MATERIAL	SCALE	PLOT SCALE	SHEET 1 OF 1
FILE 623.pdf	DRAWING NOT TO SCALE		