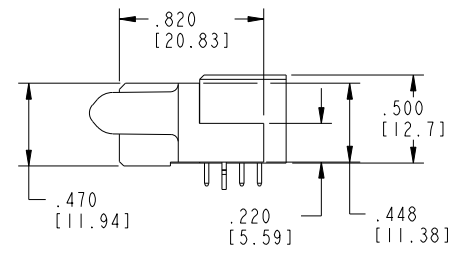
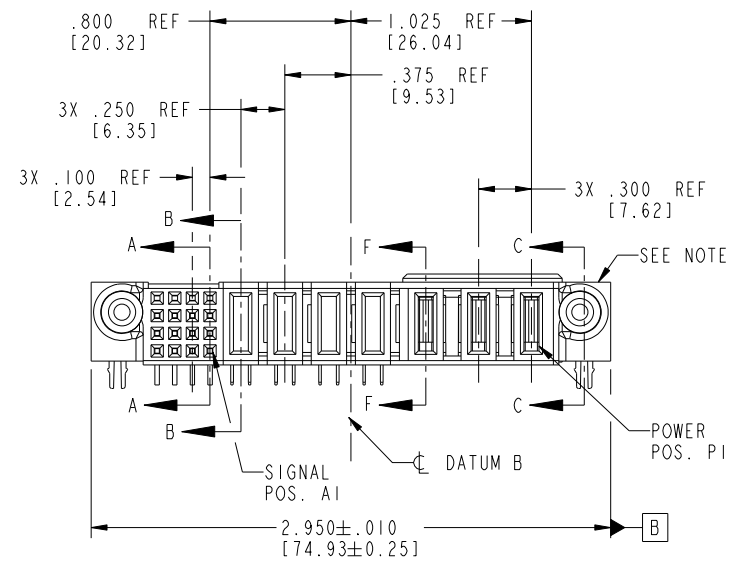
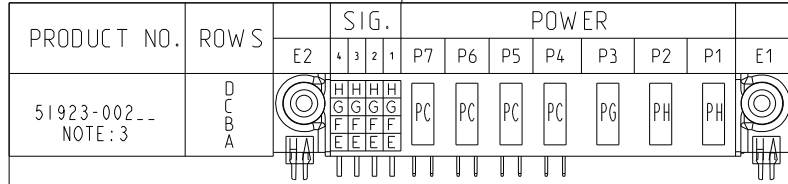


Tous droits strictement reserves. Reproduction ou communication a des tiers interdite sous quelque forme que ce soit sans autorisation écrite du propriétaire. Propriete de c FCI. Droits de reproduction FCI.

All rights strictly reserved. Reproduction or issue to third parties in any form whatever is not permitted without written authority from the proprietor. Property of FCI. Copyright FCI.



CODE	DIM "M" MATING LENGTH	CONTACT TYPE	CONTACT WIPE LENGTH
E	N/A [N/A]	SIGNAL	SEE NOTE 12
F	N/A [N/A]	SIGNAL	SEE NOTE 12
G	N/A [N/A]	SIGNAL	SEE NOTE 12
H	N/A [N/A]	SIGNAL	SEE NOTE 12
PG	.042 [1.07]	POWER	.227 [5.77]
PH	.092 [2.34]	POWER	.177 [4.50]
HA	N/A [N/A]	HOLD-DOWN	N/A
PC	.092 [2.34]	POWER	.177 [4.50]

mat'l code				SEE NOTE 2		tolerances unless otherwise specified		CUSTOMER	
ltr	ecn no.	dr	date	linear	.XX±.01/0.X±0.3	angles	0°±2°	COPY	
A	V03-0173	TAB	02/13/03		.XXX±.005/0.XX±0.13			projection	
B	V03-0213	MEM	02/21/03		.XXX±.0020/0.XXX±0.051			INCH/MM	
C	V03-0245	TAB	03/10/03					scale	
D	DG08-0273	WD	12/12/08	dr	T. BRUNGARD 02/13/03	enr	M. MOSTOLLER 02/13/03	1:1	
				chr	M. MOSTOLLER 02/13/03	appd	M. MOSTOLLER 02/13/03		
sheet index	revision sheet	D	D	D	D	D	D		
		1	2	3	4	5			

www.fciconnect.com		product family		PwrBlade		code	
title		3ACP + 4P + 16S		R/A SOLDER RECEPTACLE		213	
size		dwg no		51923-002		sheet	
A						1 of 5	
cage code		22526					

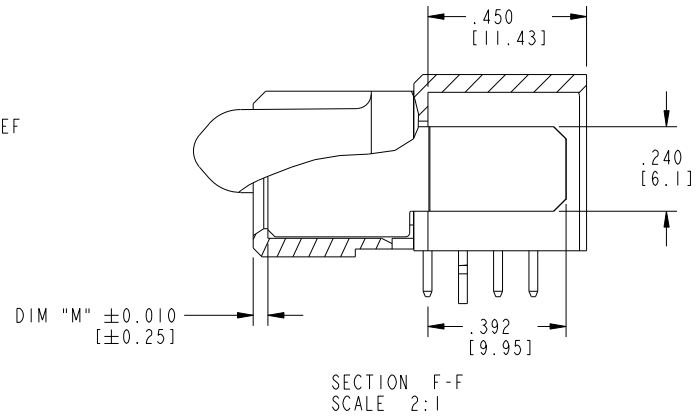
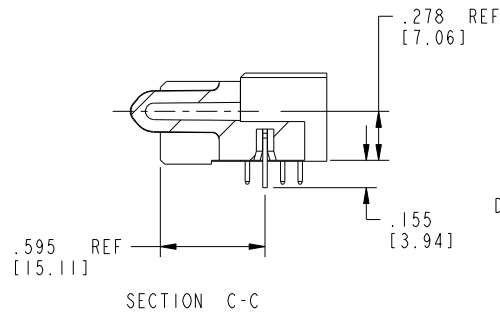
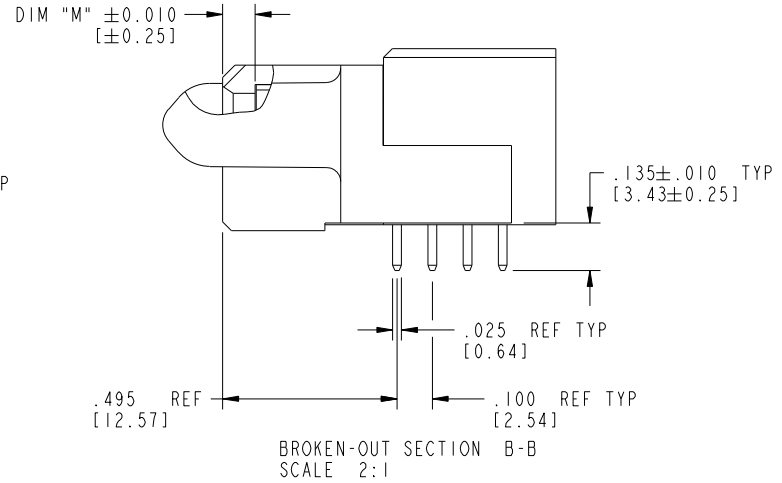
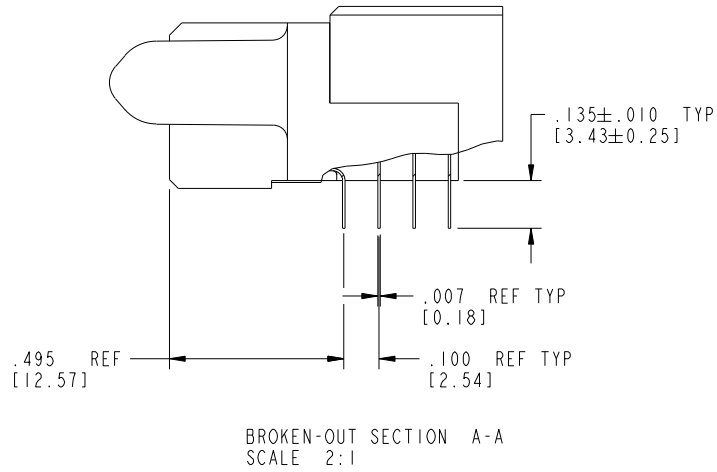
Pro/E

cage code 22526

Tous droits strictement reserves. Reproduction ou communication a des tiers interdite sous quelque forme que ce soit sans autorisation écrite du propriétaire. Propriete de c FCI. Droits de reproduction FCI.

All rights strictly reserved. Reproduction or issue to third parties in any form whatsoever is not permitted without written authority from the proprietor. Property of FCI. Copyright FCI.

PRODUCT NUMBER
51923-002--
NOTE: 3



mat'l code		SEE NOTE 2		tolerances unless otherwise specified		CUSTOMER		 www.fciconnect.com	
ltr	ecn no.	dr	date	linear	.XX±.01/0.X±0.3	COPY		title	
D					.XXX±.005/0.XX±0.13	projection		3ACP + 4P + 16S	
				angles	.XXX±.0020/0.XXX±0.051	 INCH/MM		R/A SOLDER RECEPTACLE	
				dr	0°+2°	scale		product family	
				enrg	T. BRUNGARD 02/13/03	1:1		PwrBlade	
				chr	M. MOSTOLLER 02/13/03	A		code	
				appd	M. MOSTOLLER 02/13/03	2 of 5		sheet	
sheet index		revision sheet						213	
								2 of 5	

cage code 22526

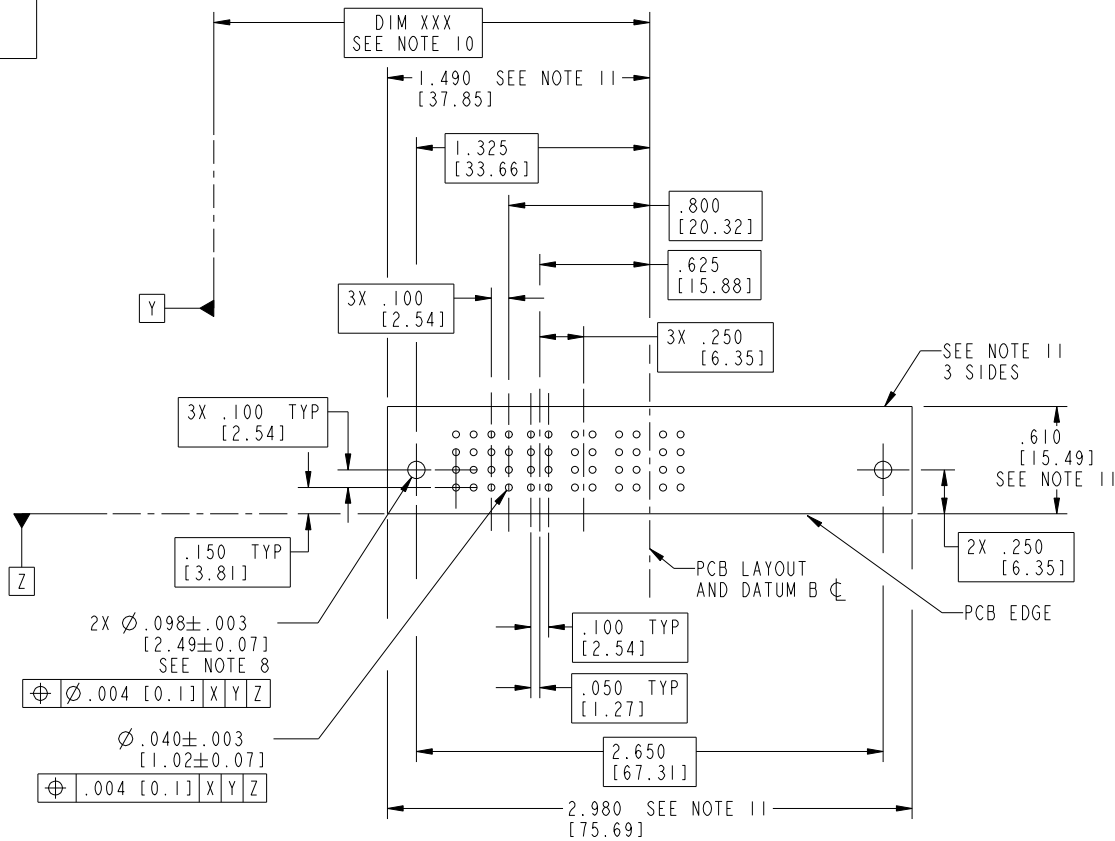
Pro/E

Tous droits strictement reserves. Reproduction ou communication a des tiers interdite sous quelque forme que ce soit sans autorisation écrite du propriétaire. Propriete de c FCI. Droits de reproduction FCI.



All rights strictly reserved. Reproduction or issue to third parties in any form whatever is not permitted without written authority from the proprietor. Property of FCI. Copyright FCI.

PRODUCT NUMBER
51923-002--
NOTE: 3



mat'l code		SEE NOTE 2		tolerances unless otherwise specified		CUSTOMER		 www.fciconnect.com	
ltr	ecn no.	dr	date	linear	.XX±.01/0.X±0.3	COPY		title	
D					.XXX±.005/0.XX±0.13	projection		3ACP + 4P + 16S	
				angles	.XXX±.0020/0.XXX±0.051	 INCH/MM		R/A SOLDER RECEPTACLE	
				dr	0°+2°	scale		product family	
				enrg	T. BRUNGARD 02/13/03	1:1		PwrBlade	
				chr	M. MOSTOLLER 02/13/03	size		code	
				appd	M. MOSTOLLER 02/13/03	dwg no		213	
sheet index	revision sheet					A		51923-002	
						sheet		3 of 5	

cage code 22526

Pro/E

Tous droits strictement reserves. Reproduction ou communication a des tiers interdite sous quelque forme que ce soit sans autorisation écrite du propriétaire. Propriete de c FCI. Droits de reproduction FCI.



All rights strictly reserved. Reproduction or issue to third parties in any form whatever is not permitted without written authority from the proprietor. Property of FCI. Copyright FCI.

PRODUCT NUMBER
51923-002--
NOTE: 3

NOTES:

1. DIMENSIONS AND TOLERANCES ARE IN ACCORDANCE WITH ASME Y14.5M, 1994 UNLESS OTHERWISE SPECIFIED.

CONNECTOR NOTES:

2. HOUSING MATERIAL: UL 94 V-0 GLASS FILLED HIGH-TEMP THERMOPLASTIC
POWER CONTACT MATERIAL: COPPER ALLOY
SIGNAL PIN MATERIAL: COPPER ALLOY

3. SEE ITEM 5 & 6 IN PRINT 10064183 FOR PLATING SPEC OF 51923-002 AND 51923-002LF RESPECTIVELY.

4. MANUFACTURER'S NAME, P/N, AND DATE CODE TO APPEAR ON THIS SURFACE.

5. PRODUCT SPECIFICATION GS-12-149.
APPLICATION SPECIFICATION BUS-20-067.

6. PACKAGED IN TRAYS.

PCB NOTES:

7. ALL HOLE DIAMETERS ARE FINISHED HOLE SIZE.

8. MOUNTING HOLES, WHERE APPLICABLE, ARE UNPLATED.

9. $\varnothing .0453 \pm .0010$ [1.151 ± 0.025] DRILLED HOLES PLATED WITH
.0003 [0.008] MIN SnPb OVER .001 [0.03]
TO .003 [0.08] Cu PLATING TO ACHIEVE
 $\varnothing .040 \pm .003$ [1.02 ± .07] HOLE.

10. "DIM XXX" TO BE DETERMINED BY THE CUSTOMER.

11. CONNECTOR KEEP-OUT ZONE.

12. FOR SIGNAL CONTACT WIPE LENGTHS REFER TO
MATING HEADER DRAWING.

13. A Δ SYMBOL WILL BE NEXT TO ANY DIMENSION, VIEW, OR NOTE WHICH HAS BEEN MODIFIED
WITH THE CURRENT DRAWING REVISION.

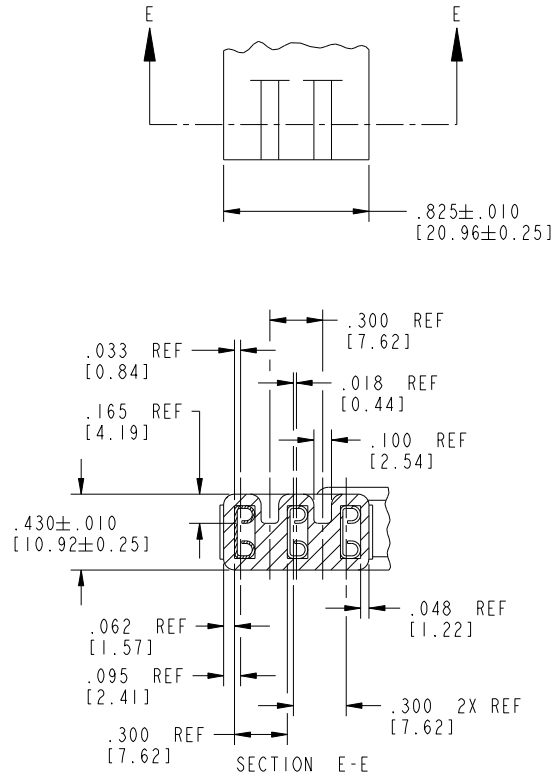
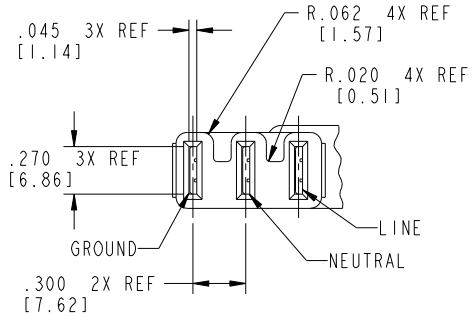
mat'l code				SEE NOTE 2		tolerances unless otherwise specified		CUSTOMER		FCI		www.fciconnect.com			
ltr	ecr no.	dr	date	linear	.XX±.01/0.X±0.3		COPY		projection	title			3ACP + 4P + 16S R/A SOLDER RECEPTACLE		
D					.XXX±.005/0.XX±0.13		INCH/MM			product family		PwrBlade		code	
					.XXX±.002/0.XXX±0.051		1:1			size		dwg no		213	
				angles	0°+2°		scale		A		51923-002		sheet		
				dr	T. BRUNGARD 02/13/03								4 of 5		
				enrg	M. MOSTOLLER 02/13/03										
				chr	M. MOSTOLLER 02/13/03										
				appd	M. MOSTOLLER 02/13/03										
sheet index	revision sheet														

cage code 22526

Tous droits strictement reserves. Reproduction ou communication a des tiers interdite sous quelque forme que ce soit sans autorisation écrite du propriétaire. Propriete de c FCI. Droits de reproduction FCI.

All rights strictly reserved. Reproduction or issue to third parties in any form whatsoever is not permitted without written authority from the proprietor. Property of FCI. Copyright FCI.

PRODUCT NUMBER
51923-002--
NOTE: 3



mat'l code		SEE NOTE 2		tolerances unless otherwise specified		CUSTOMER		 www.fciconnect.com	
ltr	ecn no.	dr	date	linear	.XX±.01/0.X±0.3	COPY		title	
D					.XXX±.005/0.XX±0.13	projection		3ACP + 4P + 16S	
				angles	.XXX±.0005/0.XXX±0.013	 INCH/MM		R/A SOLDER RECEPTACLE	
				dr	T. BRUNGARD 02/13/03	scale		product family	
				enrg	M. MOSTOLLER 02/13/03	1:1		PwrBlade	
				chr	M. MOSTOLLER 02/13/03			code	
				appd	M. MOSTOLLER 02/13/03			213	
sheet index		revision sheet						size	
								dwg no	
								A 51923-002	
								sheet	
								5 of 5	

cage code 22526

Pro/E