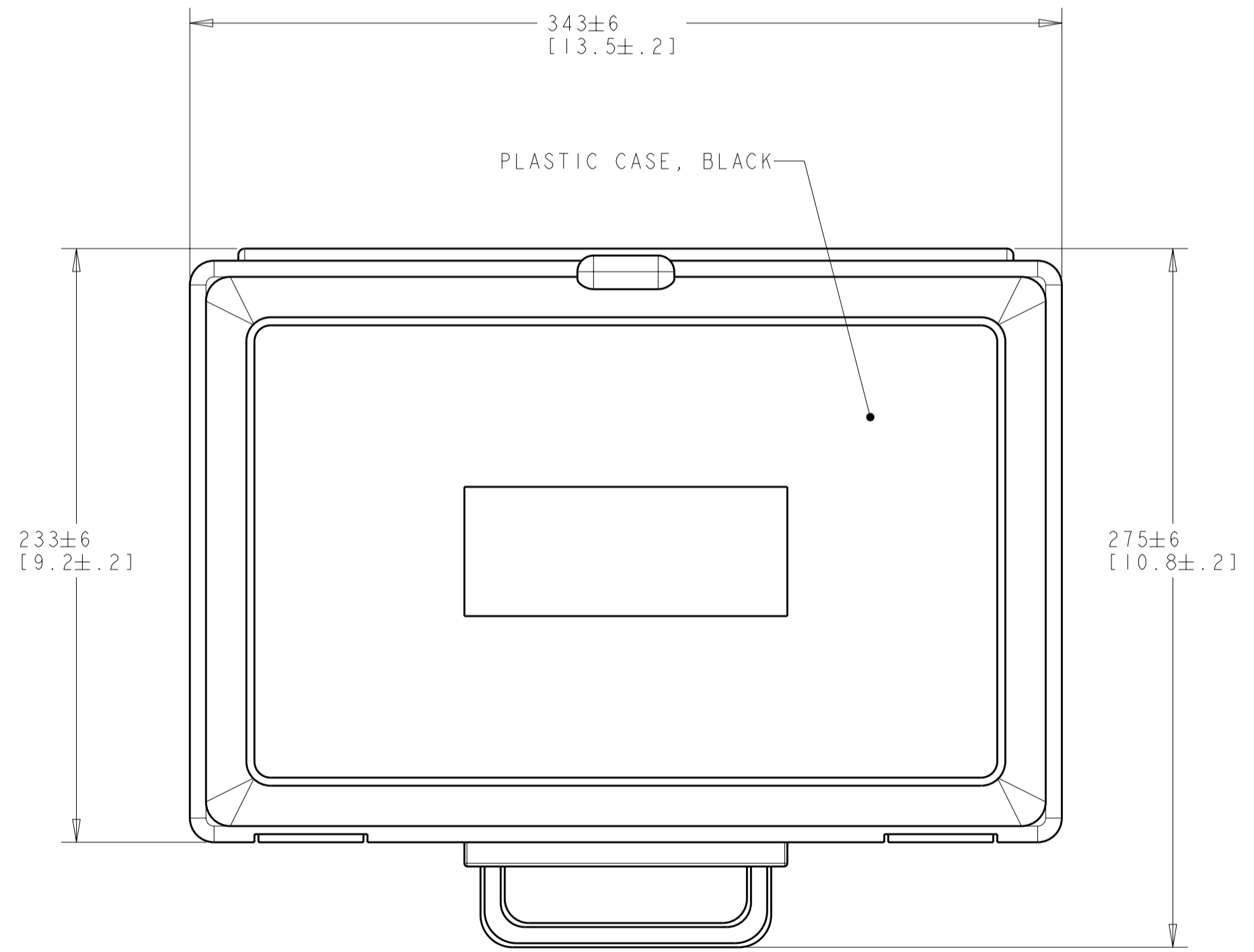
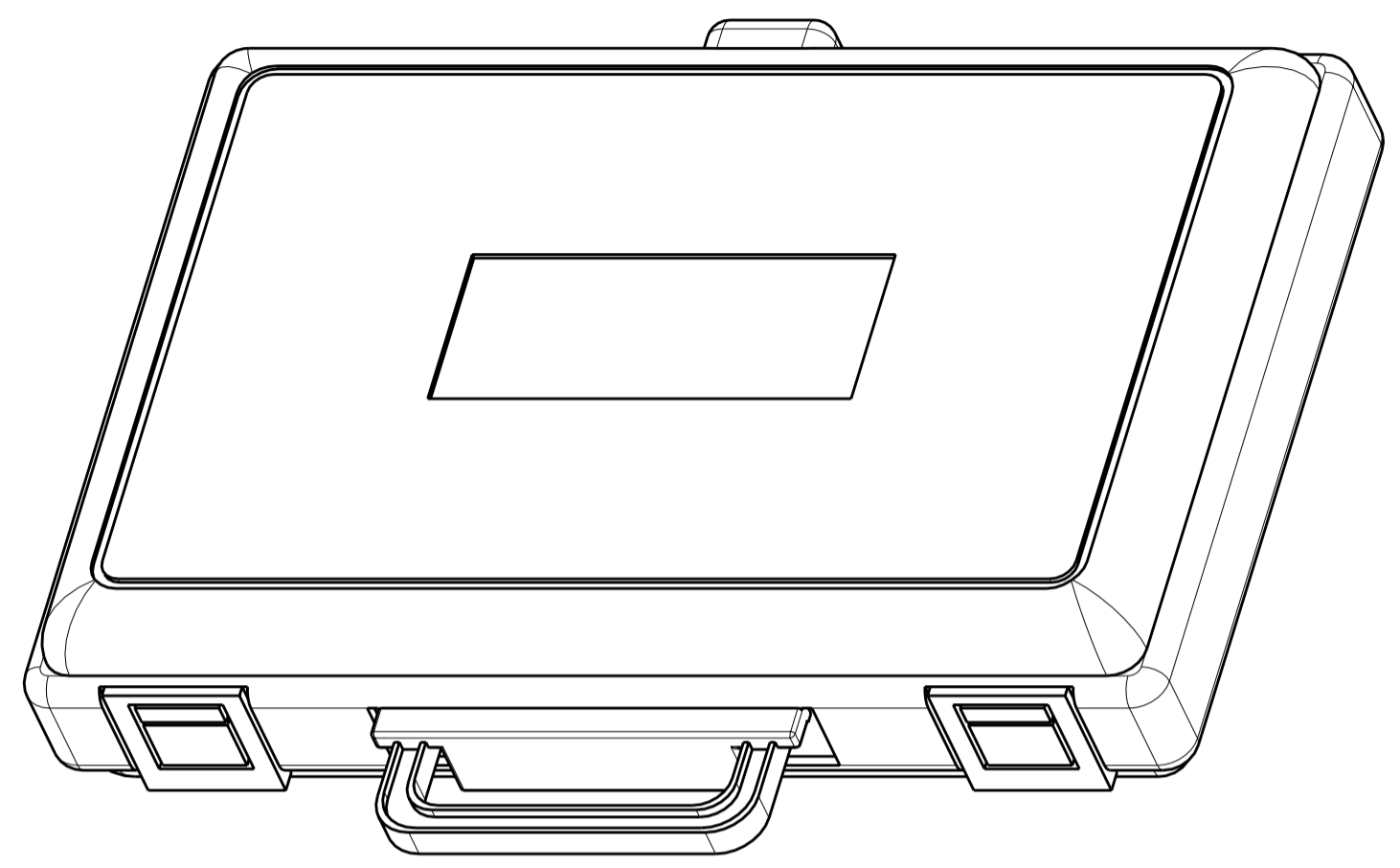
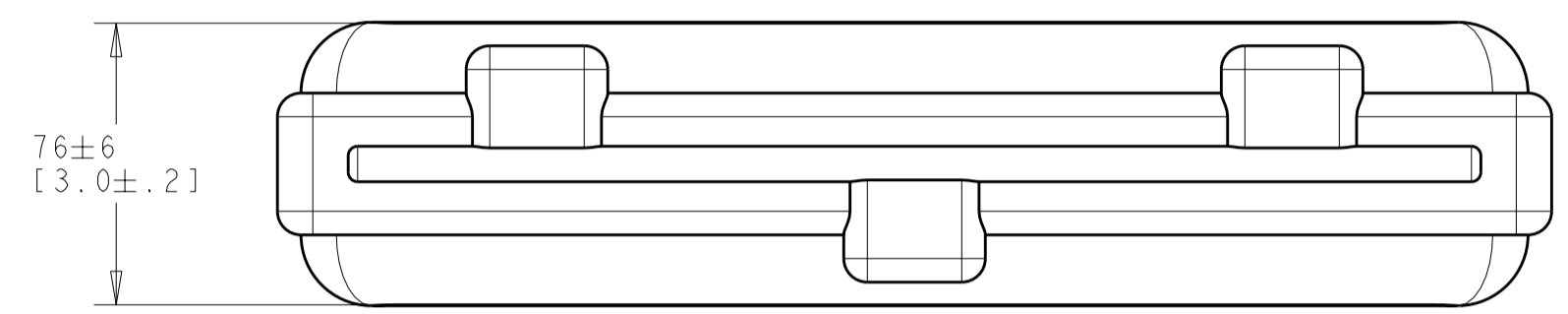


THIS DRAWING IS UNPUBLISHED. RELEASED FOR PUBLICATION .19
 © COPYRIGHT 19 BY AMP INCORPORATED. ALL RIGHTS RESERVED.

LOC	DIST	REVISIONS					
CE	00	F	LTR	DESCRIPTION	DATE	DWN	APVD
		I		NPR 05-766	15NOV2005	BB	DK
		A		REVISE PER ECR-06-007845	07APR2006	BB	DK
		B		REVISE PER ECR-07-001527	20FEB2007	BB	DK



- 1828869-1 INCLUDES LC TO LC SIMPLEX CABLE ASSEMBLY (2), LC TO SC SIMPLEX CABLE ASSEMBLY (2), AND DUPLEX CLIPS (6).
- 1828869-2 INCLUDES LC TO LC SIMPLEX CABLE ASSEMBLY (2), LC TO ST SIMPLEX CABLE ASSEMBLY (2), AND DUPLEX CLIPS (6).
- 1828869-3 INCLUDES LC TO LC CABLE ASSEMBLY (4) AND DUPLEX CLIPS (6).

OBSOLETE	LC SIMPLEX	1828869-6
OBSOLETE	ST SIMPLEX	1828869-5
OBSOLETE	SC SIMPLEX	1828869-4
	LC	1828869-3
	ST SIMPLEX	1828869-2
	SC SIMPLEX	1828869-1
TEST EQUIPMENT CONNECTION		PART NUMBER

THIS DRAWING IS A CONTROLLED DOCUMENT FOR AMP INCORPORATED. IT IS SUBJECT TO CHANGE AND THE CONTROLLING ENGINEERING ORGANIZATION SHOULD BE CONTACTED FOR THE LATEST REVISION.		DWN B. BRIGGS 15NOV2005	AMP Incorporated Harrisburg, PA 17105-3608
DIMENSIONS: mm [INCHES]		CHK D. KIRSCH 15NOV2005	
		APVD S. BUCHTER 15NOV2005	
TOLERANCES UNLESS OTHERWISE SPECIFIED:		PRODUCT SPEC	NAME LC TEST CABLE KIT, SINGLEMODE
0 PLC ±-		APPLICATION SPEC	SIZE A2
1 PLC ±-		WEIGHT	CAGE CODE 00779
2 PLC ±-		CUSTOMER DRAWING	DRAWING NO. 1828869
3 PLC ±-			SCALE NTS
4 PLC ±-			SHEET 1 OF 1
ANGLES ±-			REV B
FINISH -			