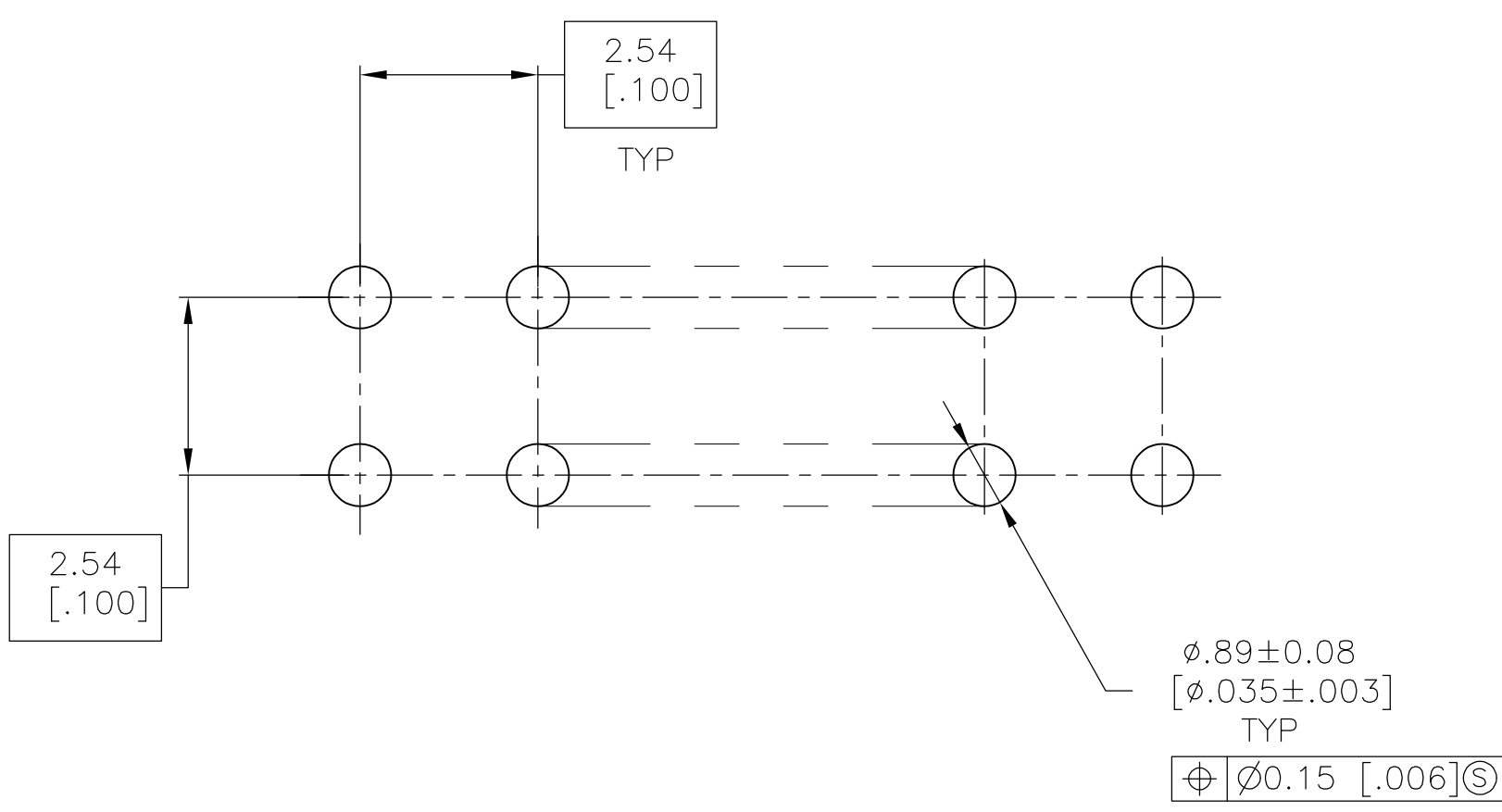
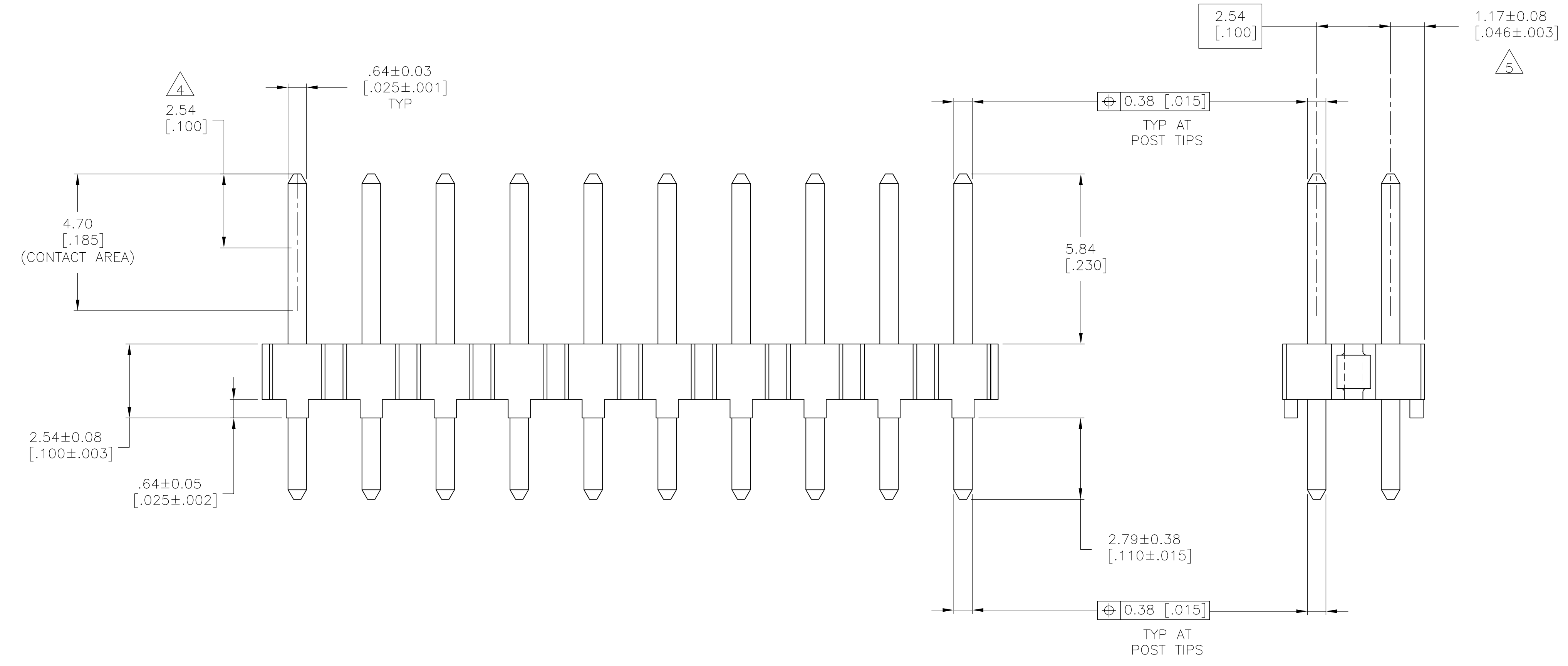
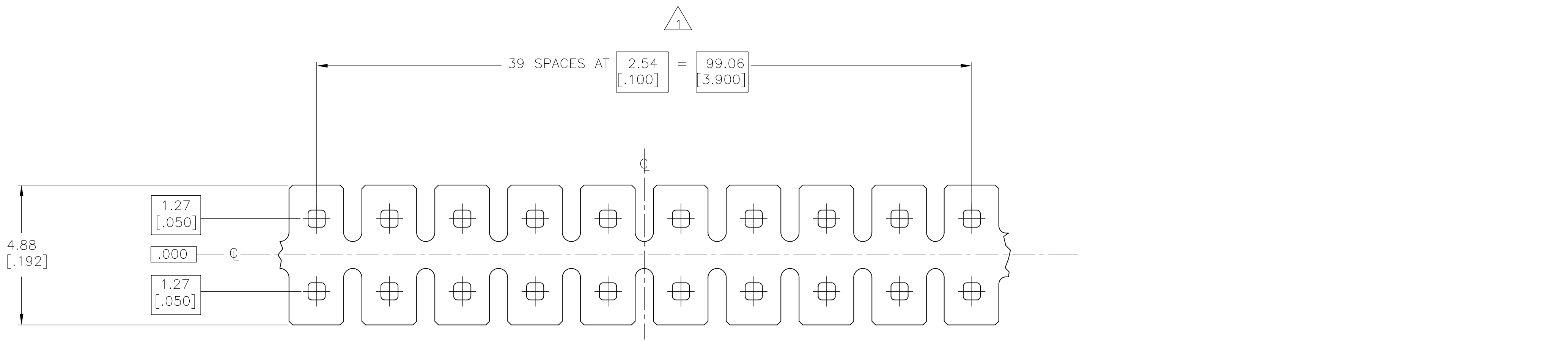


LOC		DIST		REVISIONS			
AD	00	REV	DATE	BY	CHK	APPV	
E	REVISED PER	ECO-14-000264	15JUL2014	NK	MM		



RECOMMENDED BOARD LAYOUT

- 1 DIMENSION APPLIES OVER 99.06mm [3.900 INCHES].
- 2 HOUSING: BLACK THERMOPLASTIC, 94V-0 RATED, HIGH TEMPERATURE COMPATIBLE. POST: COPPER ALLOY.
- 3 FINISH: 0.00254[.000100]-0.00508[.000200] MATTE TIN-LEAD ALL OVER 0.00127[.000050] NICKEL ENTIRE POST.
- 4 POINT OF MEASUREMENT FOR PLATING THICKNESS.
- 5 THE NOTED DIMENSION APPLIES AT INTERSECTION OF POST AND HOUSING.
- 6 TRUE POSITION TOLERANCE OF THE POST TIPS APPLIES WHEN THE HEADERS ARE HELD FLAT AGAINST THE PCB.
- 7 PARTS ARE TO BE PACKAGED ON A REEL.
- 8 REELED ASSEMBLIES ARE TO BE BROKEN TO THE DESIRED POSITION SIZE AND USED AS A FUNCTIONAL SUBSTITUTE/ALTERNATIVE TO THE EXISTING AMP PART NUMBER SERIES 103328 AND 146254. THESE ASSEMBLIES ARE THE SAME IN FIT AND FUNCTION, BUT THE FORM WILL BE SLIGHTLY DIFFERENT (i.e. MOLDED HOUSING APPEARANCE AND BOW, DUE TO REELING REQUIREMENTS).
- 9 THIS PART NUMBER SPECIFIES ONE(1) LINE (i.e. PIN).
- 10 FINISH: 0.00254[.000100]-0.00508[.000200] BRIGHT TIN ALL OVER 0.00127[.000050] NICKEL ENTIRE POST.
- 11 PRELIMINARY PART - NOT RELEASED FOR PRODUCTION.
- 12 FINISH: 0.00254[.000100]-0.00508[.000200] MATTE TIN ALL OVER 0.00127[.000050] NICKEL ENTIRE POST.

12	5-146851-1	9
10	146851-2	9
3	146851-1	9
PLATING		PART NUMBER

THIS DRAWING IS A CONTROLLED DOCUMENT.		DIN E. BRANDBERG 05SEP97		STE TE Connectivity	
DIMENSIONS: mm [INCHES]		TOLERANCES UNLESS OTHERWISE SPECIFIED:		APPROVED: C. SCHMID 05SEP97	
0 PLC ± -		1 PLC ± -		NAME: HEADER ASSEMBLY, DOUBLE ROW, VERTICAL, REELED, CONTINUOUS	
2 PLC ± -		3 PLC ± 0.13[.005]		PRODUCT SPEC: -	
4 PLC ± -		ANGLES ± -		APPLICATION SPEC: -	
MATERIAL: 2		SEE TABLE		SIZE: A1	
				CAGE CODE: 00779	
				DRAWING NO: 146851	
				RESTRICTED TO: -	
				CUSTOMER DRAWING	
				SCALE: 10:1	
				SHEET: 1 of 1	
				REV: E	