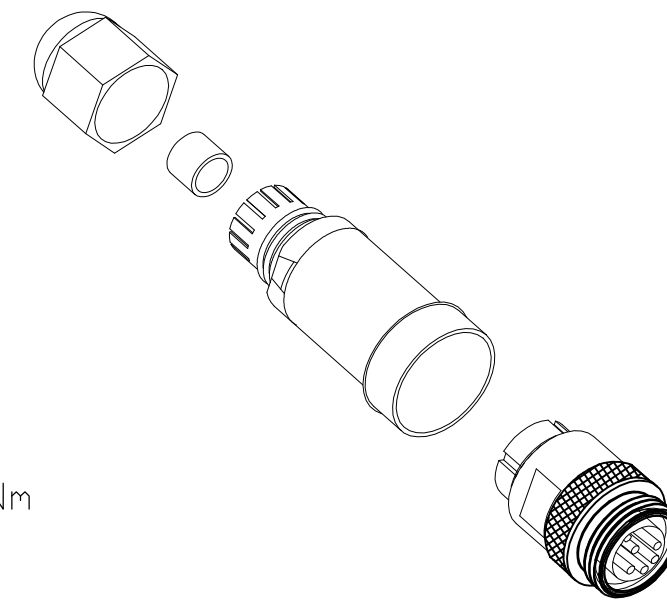
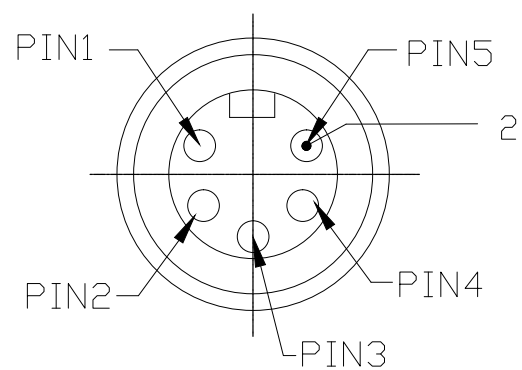
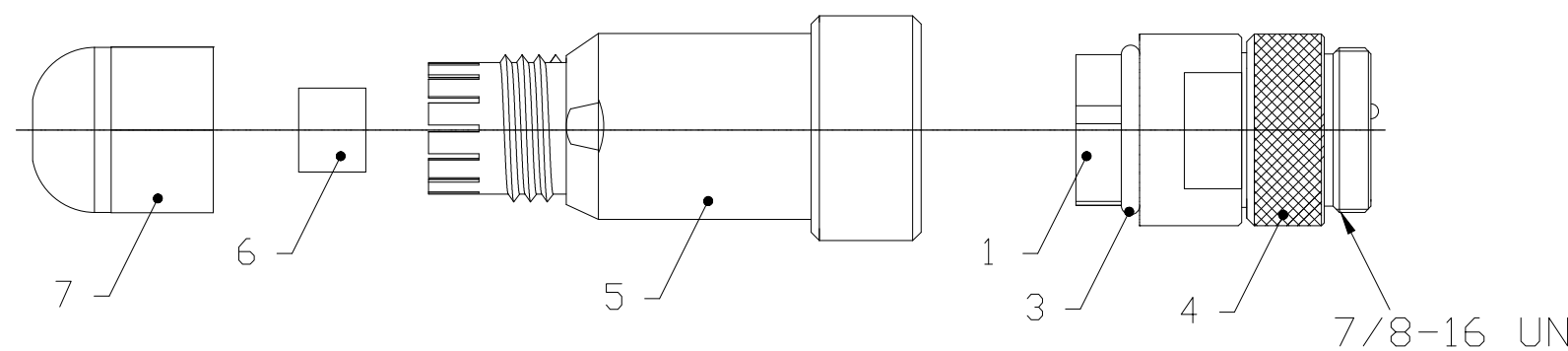
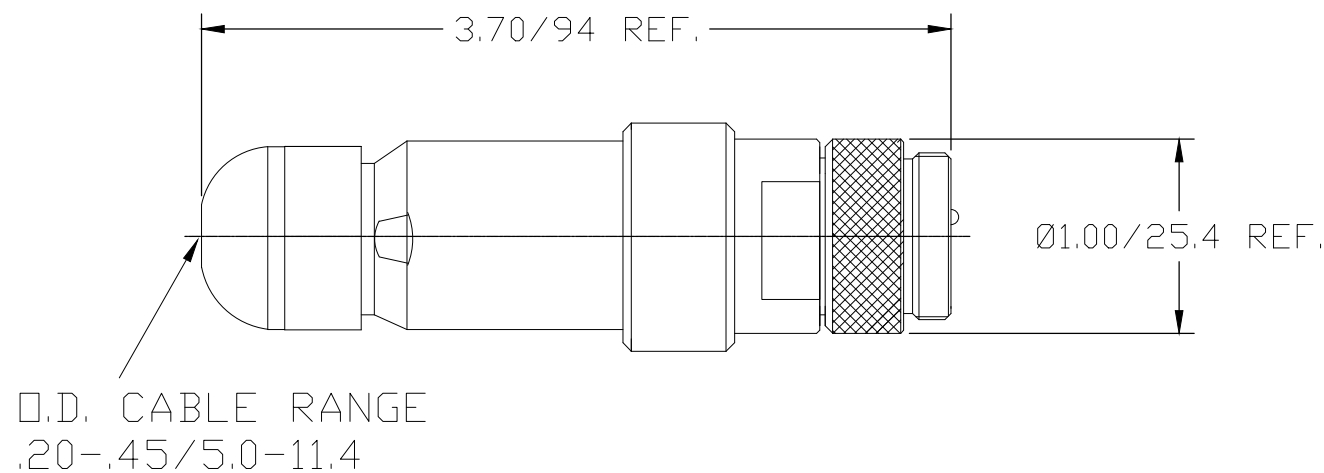


MATERIAL NUMBER	ENGINEERING PART NUMBER	COUPLING NUT MATERIAL	COUPLING NUT FINISH
1300170029	1A5006-34	BRASS	NICKEL PLATED
1300170030	1A5006-348	STAINLESS STEEL	PASSIVATED

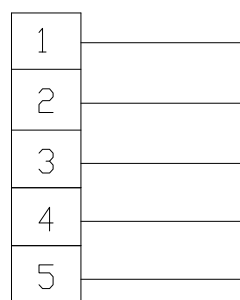


TORQUE RECOMMENDATION:

CABLE SCREW: 2.4Nm  
 THREAD BETWEEN HOUSING AND INSERT: 1.2Nm  
 STRAND SCREW (CONTACT): 0.6Nm



MALE FACE VIEW



WIRING CHART

ITEM	COMPONENT	MATERIAL	FINISH
1	INSERT	NYLON	BLACK
2	PIN CONTACTS	COPPER ALLOY	GOLD PLATED
3	O-RING	NITRILE	BLACK
4	COUPLING NUT	SEE CHART	SEE CHART
5	MOLDED BODY	NYLON	BLACK
6	GROMMET	NITRILE	BLACK
7	CORD GRIP BODY	NYLON	BLACK

**B1**

VOLTAGE RATING PER UL 2238	600VAC/VDC
VOLTAGE RATING PER IEC 60664	400V
AMPERAGE RATING	8AMPS
PROTECTION	IP67 (WHEN MATED)
OPERATING TEMPERATURE	-20°C TO 80°C
CSA CERTIFICATIONS	CSA CERTIFIED, FILE NO. LR6837

ADD IEC VOLTAGE RATING EC NO: IPG2017-1018 DRWN: RSTONE 5/1/17 CHKD: M ZIELIN 2017/05/01 APPR: BWOODMAN 2009/08/26	QUALITY SYMBOLS ▽ = 0 ◻ = 0	GENERAL TOLERANCES (UNLESS SPECIFIED)		DIMENSION STYLE	SCALE	DESIGN UNITS	THIRD ANGLE PROJECTION	
				IN/MM	---	INCH		
		4 PLACES	±---	±---	DRAWN BY	DATE	FA MC 5P AC MA STR UNSH BK AU --- <b>molex</b> DOCUMENT NO. SD-130017-009 SHEET NO. 1 OF 1	
		3 PLACES	±---	±---	TWOLDEGE	2009/08/25		
		2 PLACES	±---	±---	CHECKED BY	DATE		
1 PLACE	±---	±---	APOHL	2013/02/14				
0 PLACE	±---	±---	APPROVED BY	DATE				
		ANGULAR ± --- °	JFMURPHY	2009/08/26				
		DRAFT WHERE APPLICABLE MUST REMAIN WITHIN DIMENSIONS	MATERIAL NO. SEE CHART					
<b>B1</b>	REV		SIZE	THIS DRAWING CONTAINS INFORMATION THAT IS PROPRIETARY TO MOLEX INCORPORATED AND SHOULD NOT BE USED WITHOUT WRITTEN PERMISSION				
			<b>A3</b>					