

6

5

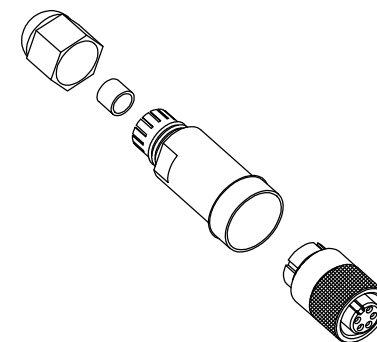
4

3

2

1

MATERIAL NUMBER	OLD PART NUMBER	COUPLING NUT MATERIAL	COUPLING NUT FINISH
1300170015	1A4000-34	BRASS	NICKEL PLATED
1300170016	1A4000-348	STAINLESS STEEL	PASSIVATED

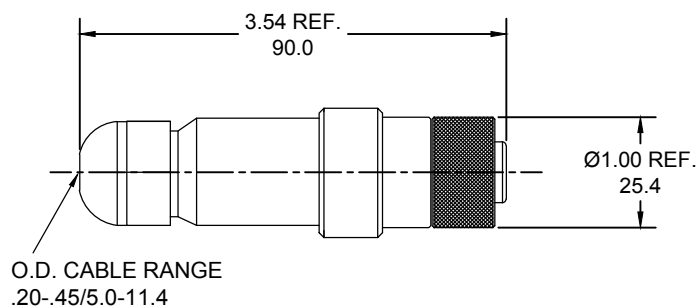


E

E

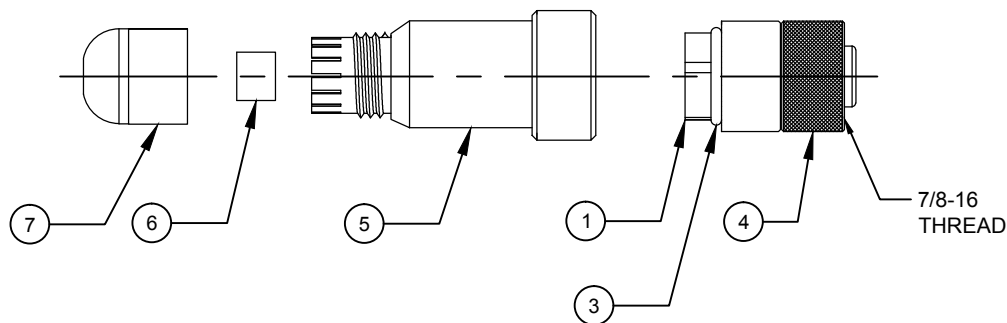
D

D



O.D. CABLE RANGE
.20-.45/5.0-11.4

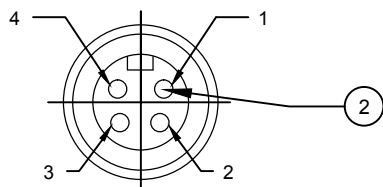
(B)



WIRING CHART

C

C



FEMALE FACE VIEW

B

B

VOLTAGE RATING	600VAC/VDC
AMPERAGE RATING	16AWG: 13 AMPS 18AWG: 8 AMPS
PROTECTION	IP67
OPERATING TEMPERATURE	-20°C TO 80°C
CSA CERTIFICATIONS	CSA CERTIFIED, FILE NO. LR6837

(B)

A

A

ITEM	COMPONENT	MATERIAL	FINISH
1	INSERT	NYLON	BLACK
2	CONTACTS	COPPER ALLOY	GOLD PLATED
3	O-RING	NITRILE	BLACK
4	COUPLING NUT	SEE CHART	SEE CHART
5	MOLDED BODY	NYLON	BLACK
6	GROMMET	NITRILE	BLACK
7	CORD GRIP BODY	NYLON	BLACK

CABLE OD RANGE WAS .20-.48, REDRAWN
EC NO: IFC2013-1684
DRWN: RSTONE 2013/05/09
CHKD: BW
APPR: BWOODMAN

QUALITY SYMBOLS
 = 0
 = 0

	GENERAL TOLERANCES (UNLESS SPECIFIED)	
	mm	INCH
4 PLACES	±---	±---
3 PLACES	±---	±---
2 PLACES	±---	±.01
1 PLACE	±0.3	±---
ANGULAR ±---°		
DRAFT WHERE APPLICABLE MUST REMAIN WITHIN DIMENSIONS		

DIMENSION STYLE
IN/MMSCALE
---DESIGN UNITS
INCH

THIRD ANGLE PROJECTION

DRAWN BY DATE
RSTONE 2013/05/09CHECKED BY DATE
BW 2013/05/14APPROVED BY DATE
---TITLE
MC FIELD ATTACHABLE 4P
.20-.45 OD CABLE RANGE

MOLEX INCORPORATED

MATERIAL NO.
SEE CHARTDOCUMENT NO.
SD-130017-003SHEET NO.
1 OF 1

SIZE A THIS DRAWING CONTAINS INFORMATION THAT IS PROPRIETARY TO MOLEX INCORPORATED AND SHOULD NOT BE USED WITHOUT WRITTEN PERMISSION

6

5

4

3

2

1