

MATERIAL NO.	ENGINEERING NO.	FINISHED LENGTH
1300080323	309000A01F030	3 FT. (0.91 M)
1300080339	309000A01F400	40 FT. (12.19 M)
1300080344	309000A01F750	75 FT. (22.86 M)

CABLE LENGTH TOLERANCES

<.3M [1FT]: +19mm-0 [+.75in-0]

.3 - .9M [1 - 3FT]: +44.5mm-0 [+1.75in-0]

.9 - 1.8M [3 - 6FT]: +55.6mm-0 [+2.19in-0]

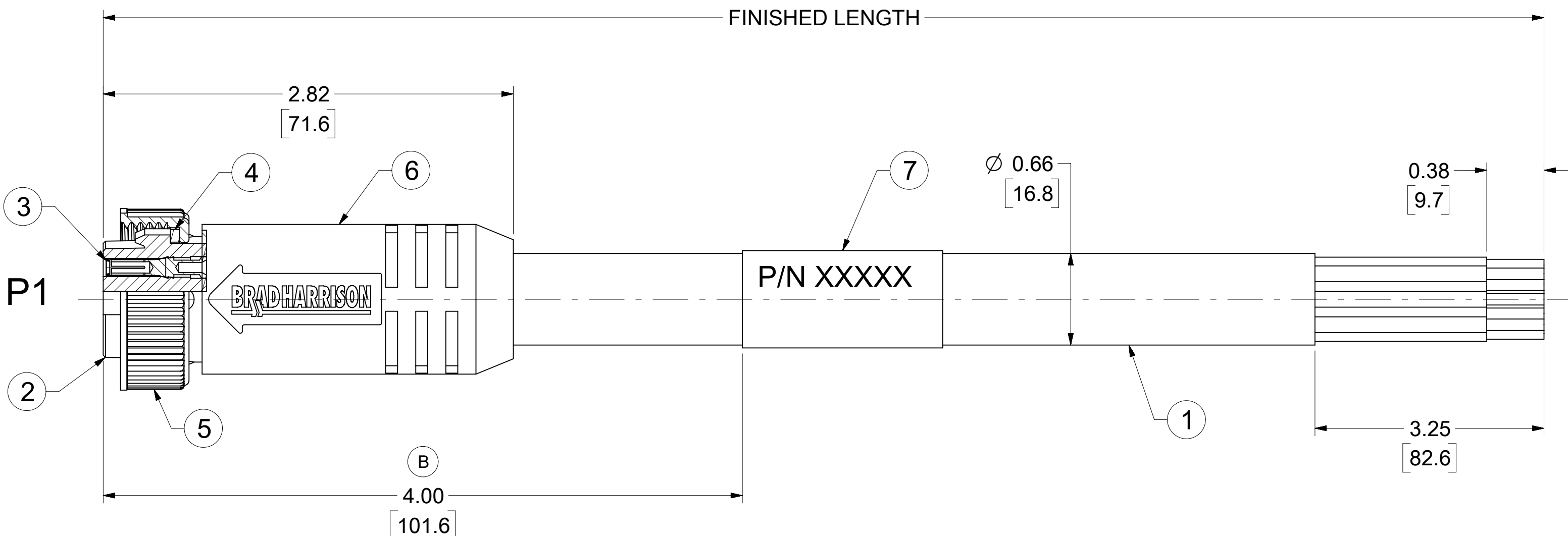
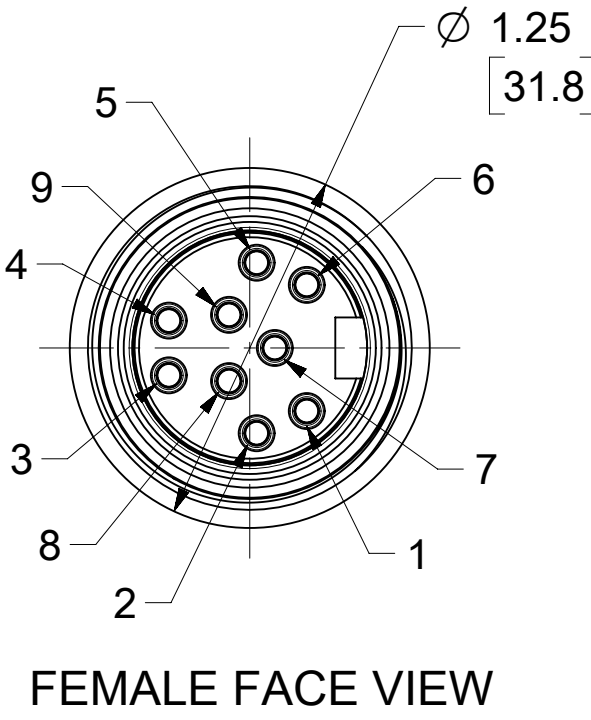
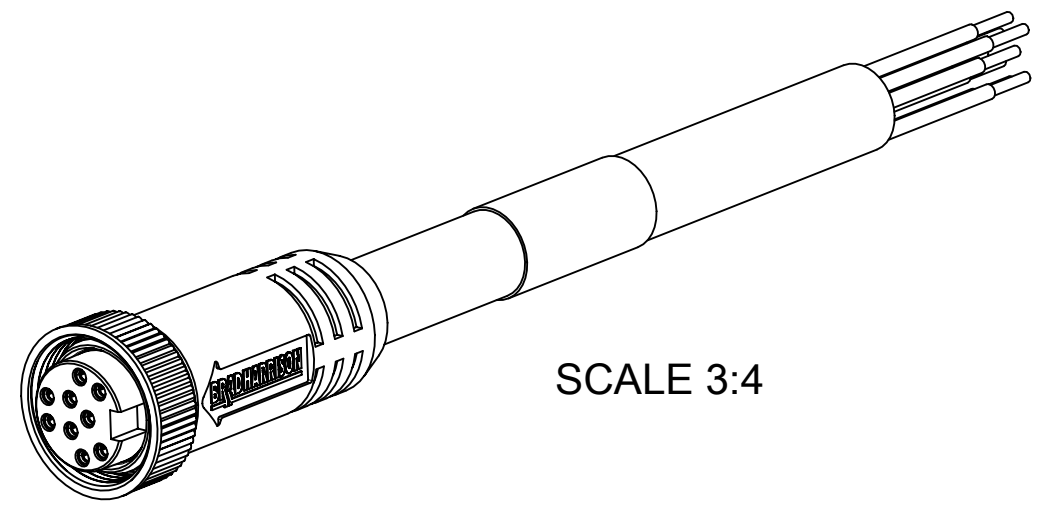
1.8 - 3.7M [6 - 12FT]: +88.9mm-0 [+3.50in-0]

3.7 - 7.3M [12 - 24FT]: +165.1mm-0 [+6.50in-0]

7.3-14.6M [24 - 48FT]: +317.5mm-0 [+12.50in-0]

14.6 - 30.5M [48-100FT]: +622.3mm-0 [+24.50in-0]

OVER 30M [100FT] +2% OF FINISHED LENGTH



- NOTES:**
- MATERIAL: AS NOTED
 - FINISH: AS NOTED
 - ELECTRICAL:
VOLTAGE: 320V PER IEC60664
600V PER UL2238
CURRENT: 7A
 - TEMP RATING: -20°C TO +105°C
 - PROTECTION: IP67 (WHEN MATED)
 - CSA CERTIFIED FILE: LR6837
 - UL RECOGNIZED FILE: E152210
 - COUPLING THREAD: 1 1/8"-16UN
 - ASSEMBLY IS ROHS COMPLIANT
 - ALL DIMS ARE FOR REFERENCE UNLESS TOLERANCED OR NOTED OTHERWISE

WIRING DIAGRAM

P1	Color
1	ORANGE
2	BLUE
3	RED/BLACK
4	GREEN/BLACK
5	WHITE
6	RED
7	GREEN/YELLOW
8	WHITE/BLACK
9	BLACK

PART NUMBER MATRIX

309000A01F030

FINISHED LENGTH
F001= .1 FT
F020= 2 FT
F200= 20 FT

7	DESCRIPTION	MATERIAL	FINISH
7	LABEL	VINYL	BLACK/YELLOW
6	OVERMOLD	TPE	YELLOW
5	COUPLING NUT	ZINC DIE CAST	BLACK E-COAT
4	FRICTION RING	NYLON	NATURAL
3	SOCKET CONTACT	Cu ALLOY	GOLD OVER NICKEL
2	FEMALE INSERT	TPE	YELLOW
1	#16-9, CABLE, STOOV/ST	PVC JACKET	YELLOW
ITEM	DESCRIPTION	MATERIAL	FINISH

THIS DRAWING CONTAINS INFORMATION THAT IS PROPRIETARY TO MOLEX ELECTRONIC TECHNOLOGIES, LLC AND SHOULD NOT BE USED WITHOUT WRITTEN PERMISSION

DIMENSION UNITS	SCALE	CURRENT REV DESC: UPDATED ITEM #2.6.7, LABEL DIM. AND MATERIAL P/N TABLE . ADDED CSA, UL, IEC VOLT, TEMP RATING, IP RATING, TOL. CHART AND PART NUMBER MATRIX	molex		
INCH/MM	1.5:1	EC NO: 673727			
GENERAL TOLERANCES (UNLESS SPECIFIED)		DRWN: AKABADI 2021/06/28	MINI-CHANGE CORDSET, C SIZE 9 POLE, FEMALE, STRAIGHT, SINGLE KEY, 16AWG		
4 PLACES	±	CHK'D: RSTONE 2021/08/13	PRODUCT CUSTOMER DRAWING		
3 PLACES	±	APPR: BWOODMAN 2021/08/27	DOCUMENT NUMBER		
2 PLACES	±		SD-130008-004		
1 PLACE	± 0.3		DOC TYPE DOC PART REVISION		
0 PLACES	±		PSD 001 B		
ANGULAR TOL	± 0.5 °	INITIAL REVISION:	MATERIAL NUMBER		
DRAFT WHERE APPLICABLE MUST REMAIN WITHIN DIMENSIONS		DRWN: RSTONE 2009/03/18	CUSTOMER		
THIRD ANGLE PROJECTION		APPR: JFMURPHY 2009/04/01	GENERAL MARKET		
DRAWING		SERIES	SHEET NUMBER		
C-SIZE		130008	1 OF 1		