

MATERIALS AND FINISHES

BODY/CAP: ZINC ALLOY
 PLATED: TIN

CENTER CONTACT: PHOSPHOR BRONZE
 OR BRASS
 PLATED: GOLD

COLOR RING : HIGH TEMPERATURE
 PLASTIC
 COLOR: SEE TABLE

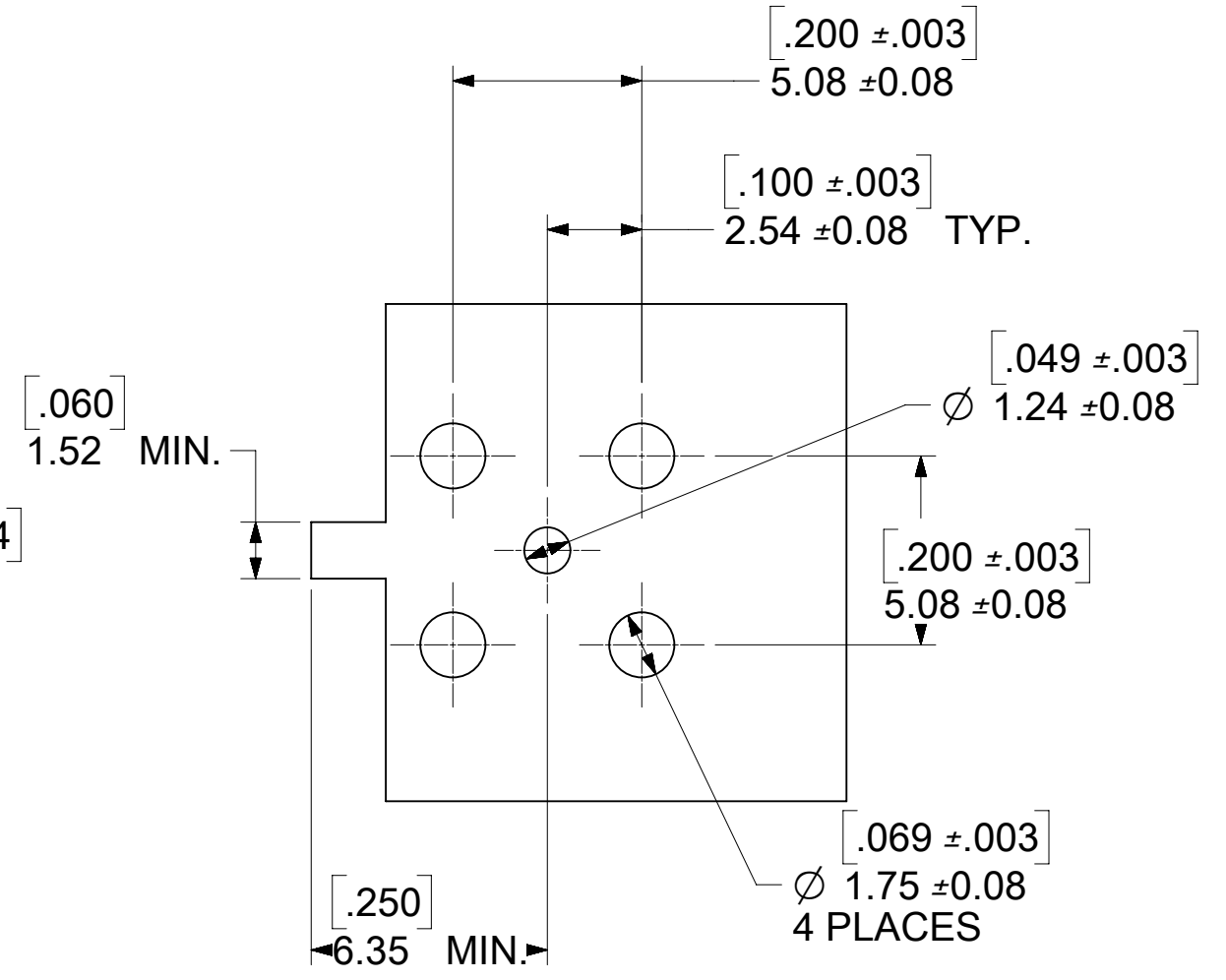
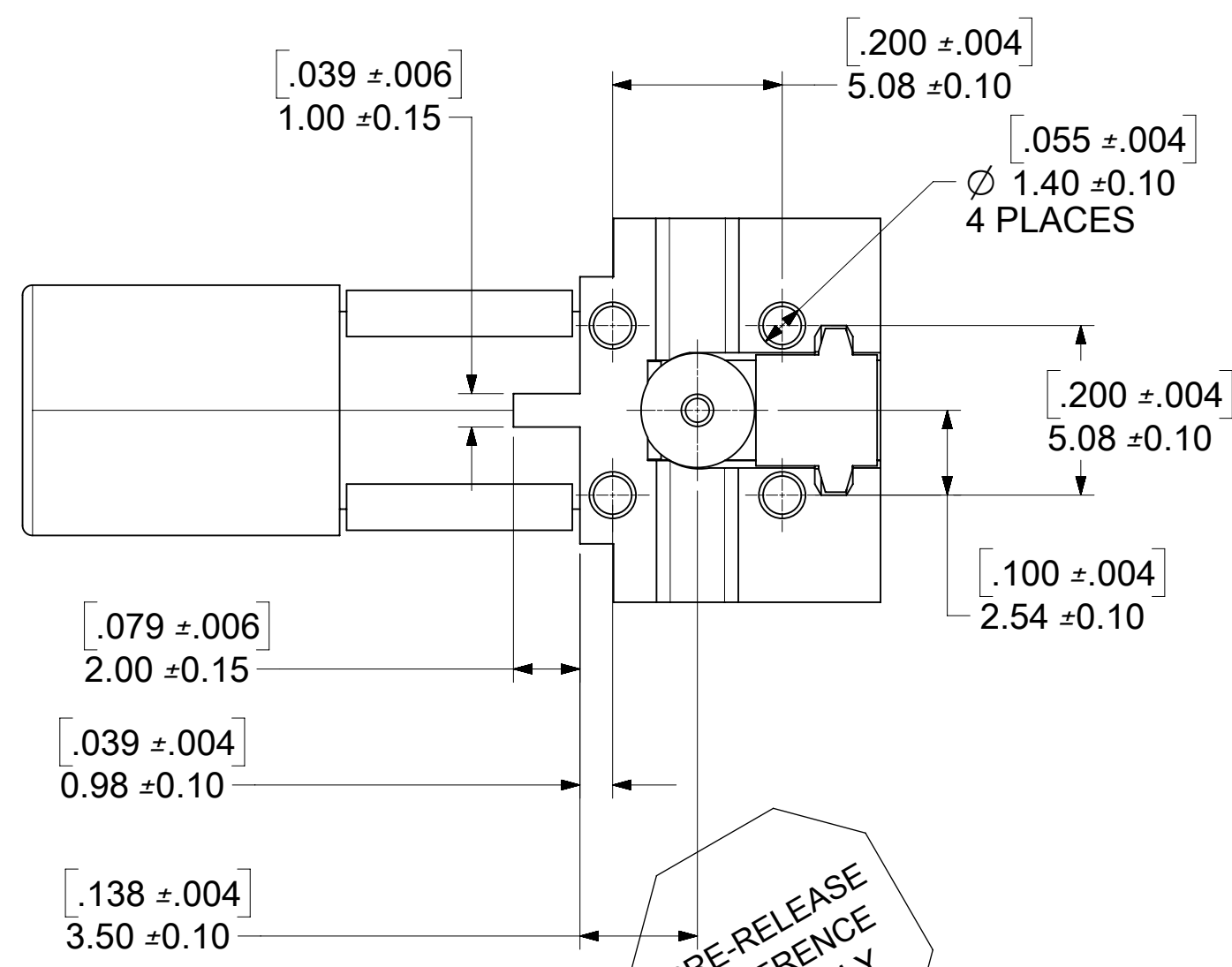
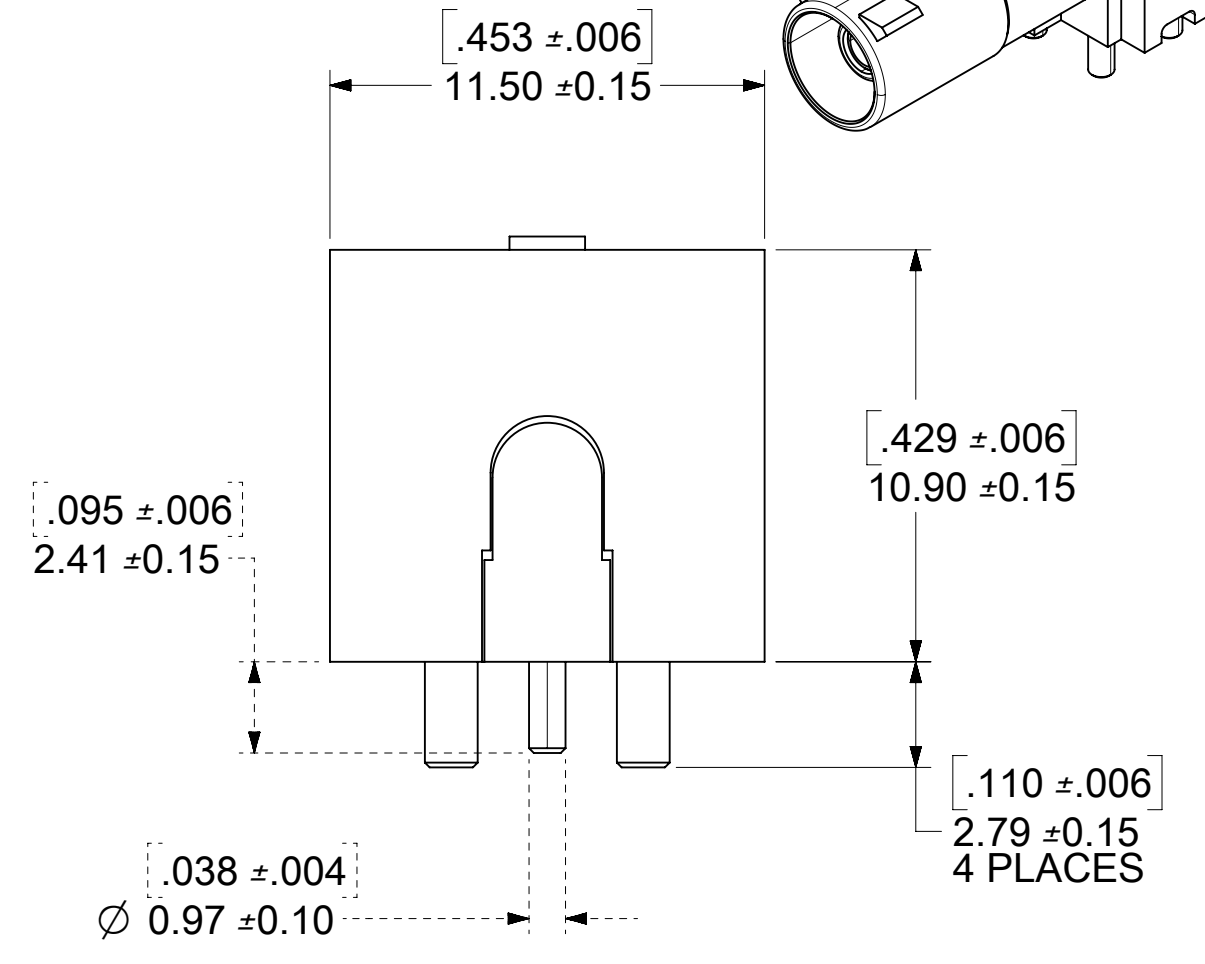
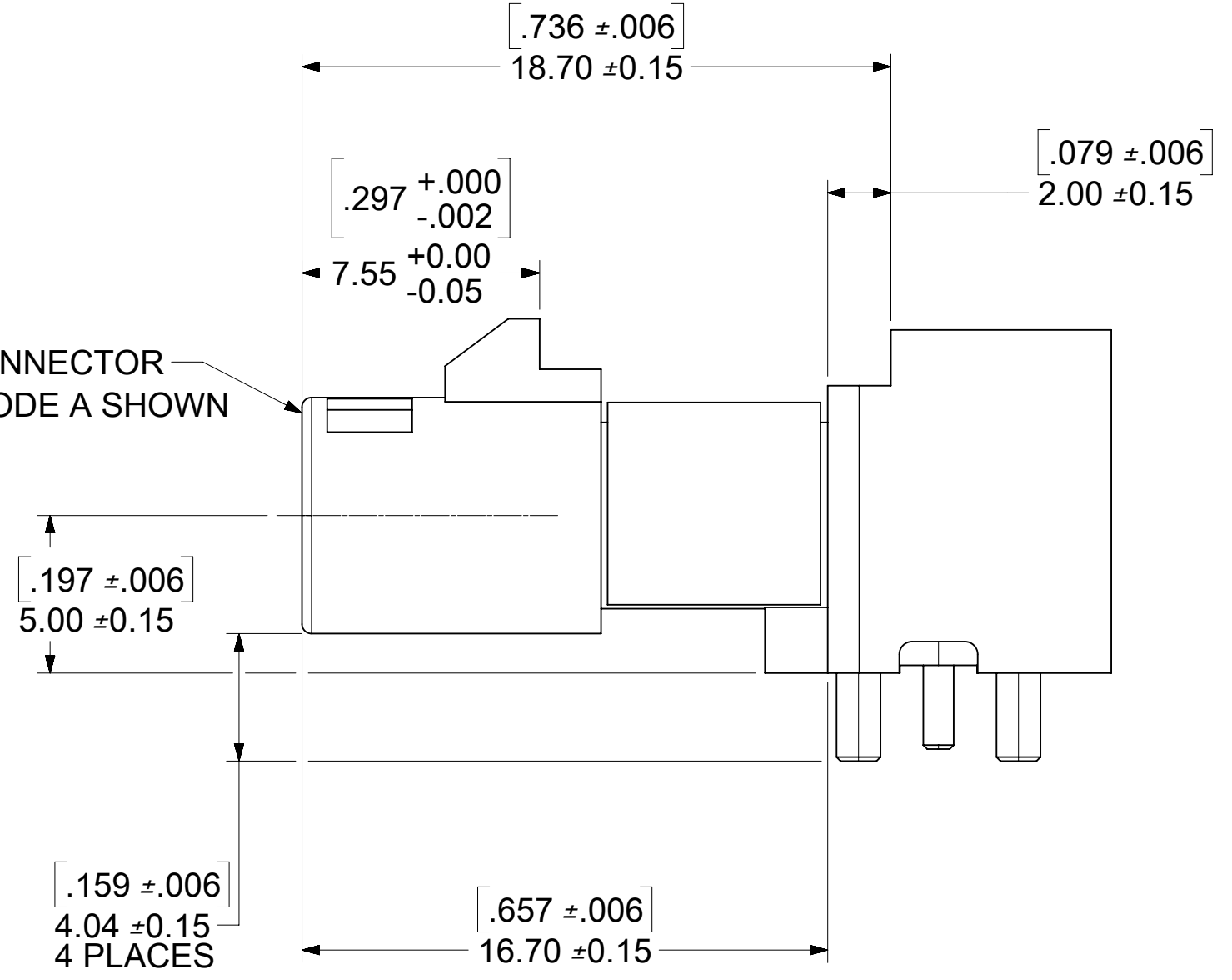
KEYING: SEE TABLE

INSULATOR: TEFLON

RETENTION SPECIFICATION:
 THE FAKRA CONNECTOR SHOULD WILL WITHSTAND
 A LONGITUDINAL FORCE OF 110 N (24.75 LBS)

SEE SHEETS 3 AND 4 FOR PACKAGING INSTRUCTIONS

FAKRA CONNECTOR
 KEYING CODE A SHOWN



RECOMMENDED CIRCUIT BOARD PATTERN AND
 MINIMUM BOARD AREA NEEDED FOR CONNECTOR
 ANTI-TIPPING FEATURE TO FUNCTION

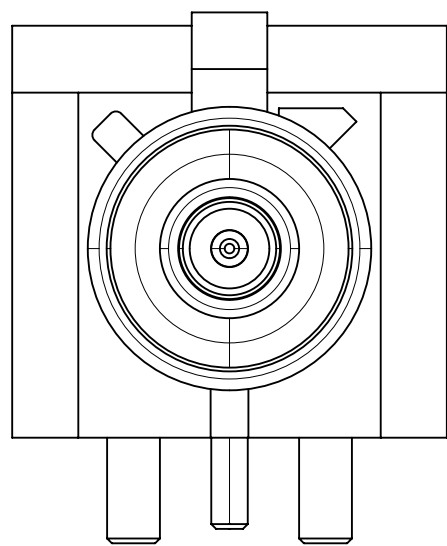
PRE-RELEASE
 REFERENCE
 USE ONLY

PS-89675-3310	PRODUCT SPECIFICATION
MIL-STD-348-A. FIG. 311-1	INTERFACE
SPECIFICATION	DESCRIPTION

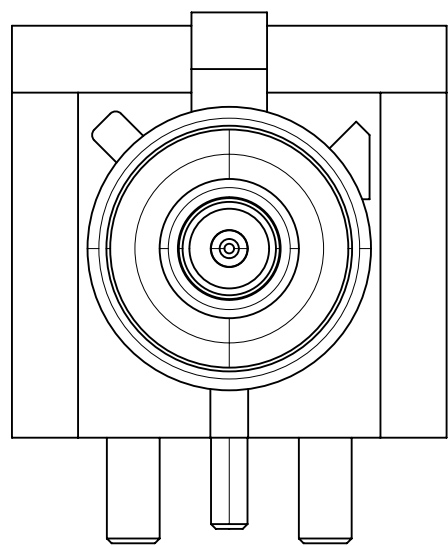
2018/07/30	A1	UPDATE TAPE AND REEL PER EWR #12096
2008/11/24	A	RTM PER PDR09-009
DATE	REV.	DESCRIPTION

THIS DRAWING CONTAINS INFORMATION THAT IS PROPRIETARY TO MOLEX ELECTRONIC TECHNOLOGIES, LLC AND SHOULD NOT BE USED WITHOUT WRITTEN PERMISSION		CURRENT REV DESC:					
SYMBOLS ▽ = 0 ▽ = 0 ▽ = 0 ▽ = 0 ▽ = 0 ▽ = 0 ▽ = 0 ▽ = 0 ▽ = 0 ▽ = 0	DIMENSION UNITS HYBRID	SCALE NTS	GENERAL TOLERANCES (UNLESS SPECIFIED) ANGULAR TOL ± 2.0° 4 PLACES ± 3 PLACES ± 2 PLACES ± 1 PLACE ± 0 PLACES ±		EC NO: 603096 DRWN: ELIN 2018/07/31 CHK'D: YCHENG 2018/09/06 APPR: YCHENG 2018/09/06 INITIAL REVISION: DRWN: SCHOU 2008/11/24 APPR: MHUANG 2008/11/24		
DRAFT WHERE APPLICABLE MUST REMAIN WITHIN DIMENSIONS		THIRD ANGLE PROJECTION	DRAWING C-SIZE	SERIES 73403	MATERIAL NUMBER SEE TABLE	CUSTOMER GENERAL MARKET	SHEET NUMBER 1 OF 4

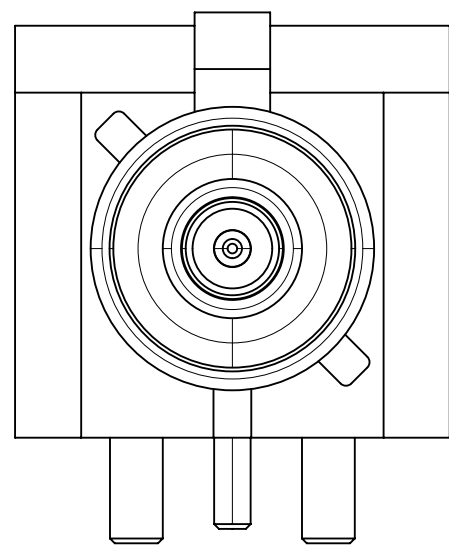
PRODUCT CUSTOMER DRAWING			
DOCUMENT NUMBER SD-73403-505	DOC TYPE PSD	DOC PART 001	REVISION A2



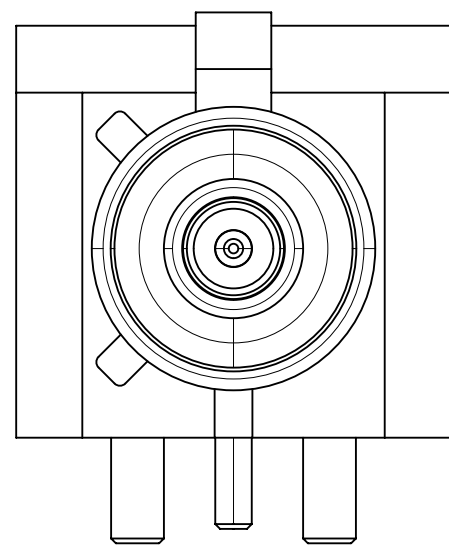
CODE A



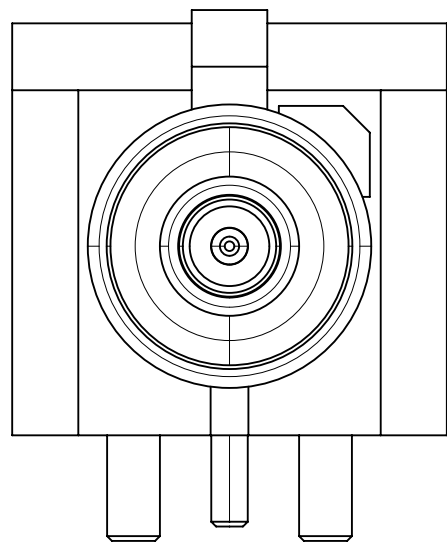
CODE B



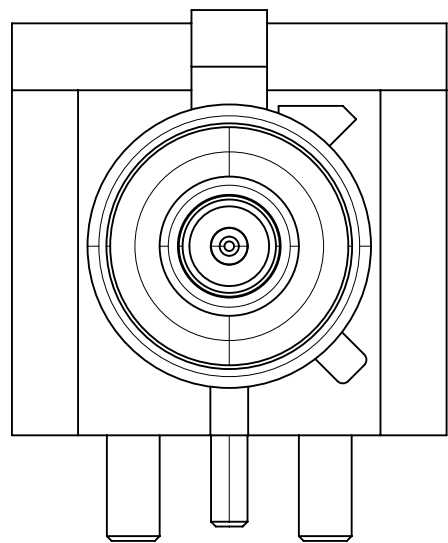
CODE C



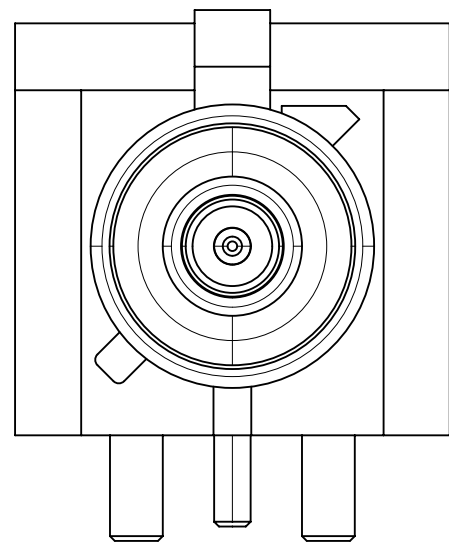
CODE D



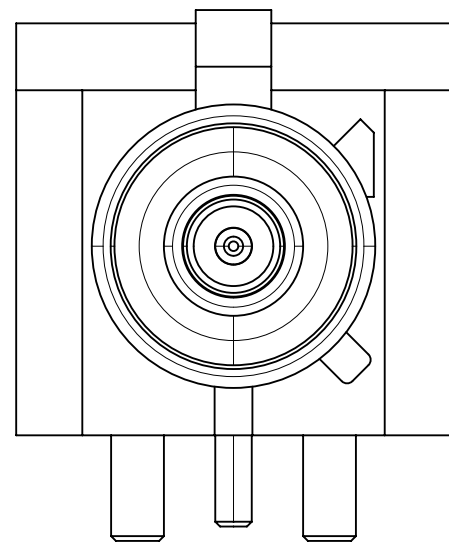
CODE E



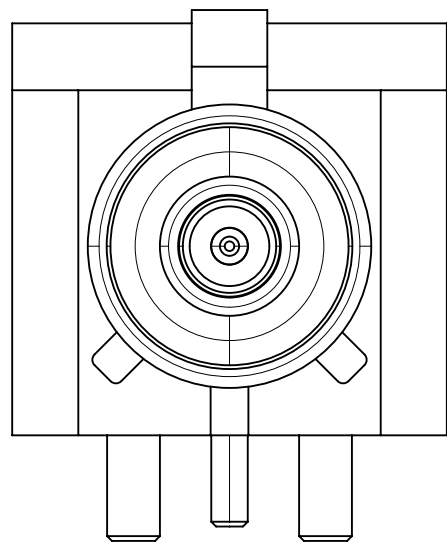
CODE F



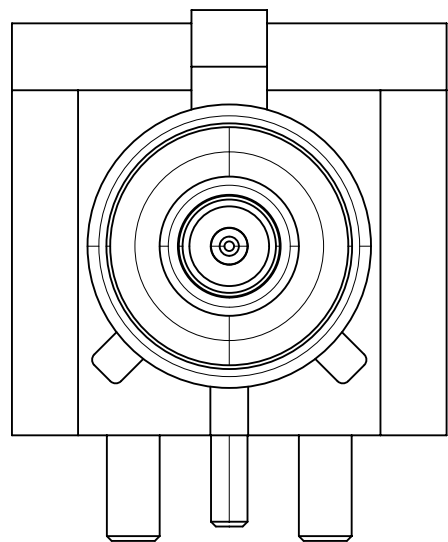
CODE G



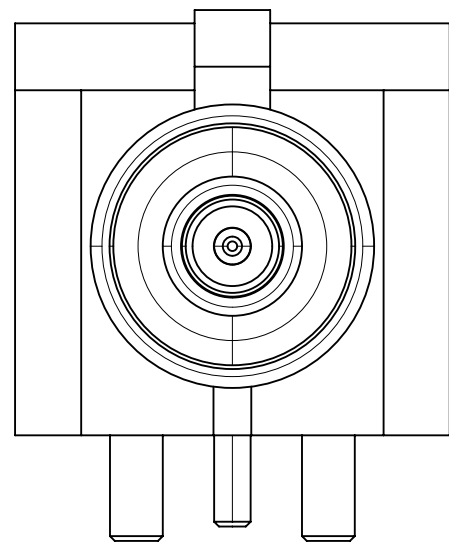
CODE H



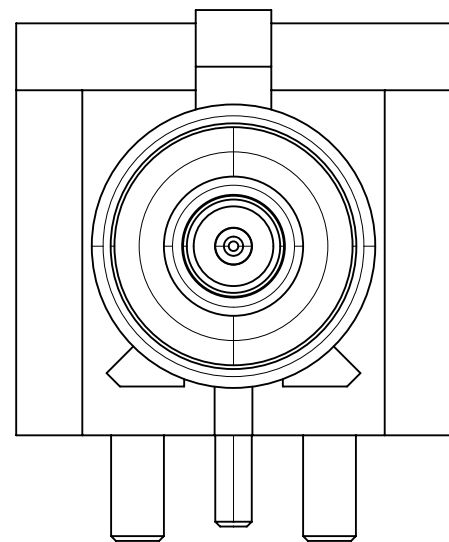
CODE I



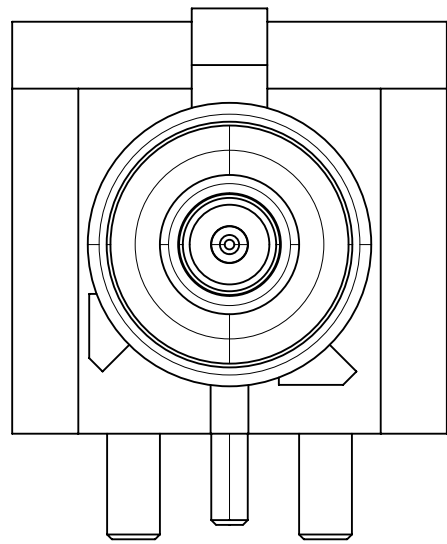
CODE K



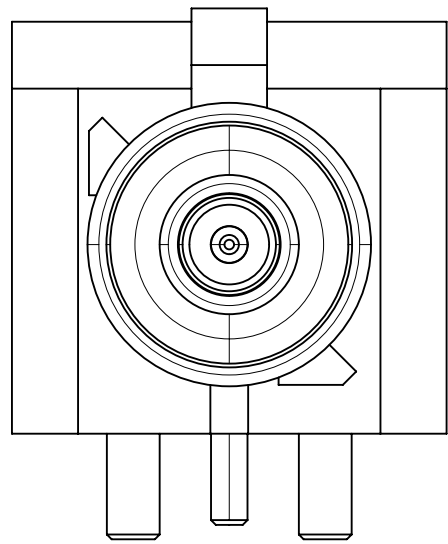
CODE Z



CODE L



CODE M



CODE N

N	PASTEL GREEN	73403-5X63
M	PASTEL ORANGE	73403-5X62
L	CARMINE RED	73403-5X61
Z	WATER BLUE	73403-5X60
K	CURRY YELLOW	73403-5X59
I	BEIGN	73403-5X58
H	VIOLET	73403-5X57
G	GRAY	73403-5X56
F	BROWN	73403-5X55
E	GREEN	73403-5X54
D	BORDEAUXVILOET	73403-5X53
C	BLUE	73403-5X52
B	SINGLE WHITE	73403-5X51
A	BLACK	73403-5X50
KEYING CODE	COLOR	PART NO.

PRE-RELEASE
REFERENCE
USE ONLY

MOLEX RF P/N SYSTEM

73403-5 X XX

XX KEYING CODE (SEE TABLE)

X PACKAGE

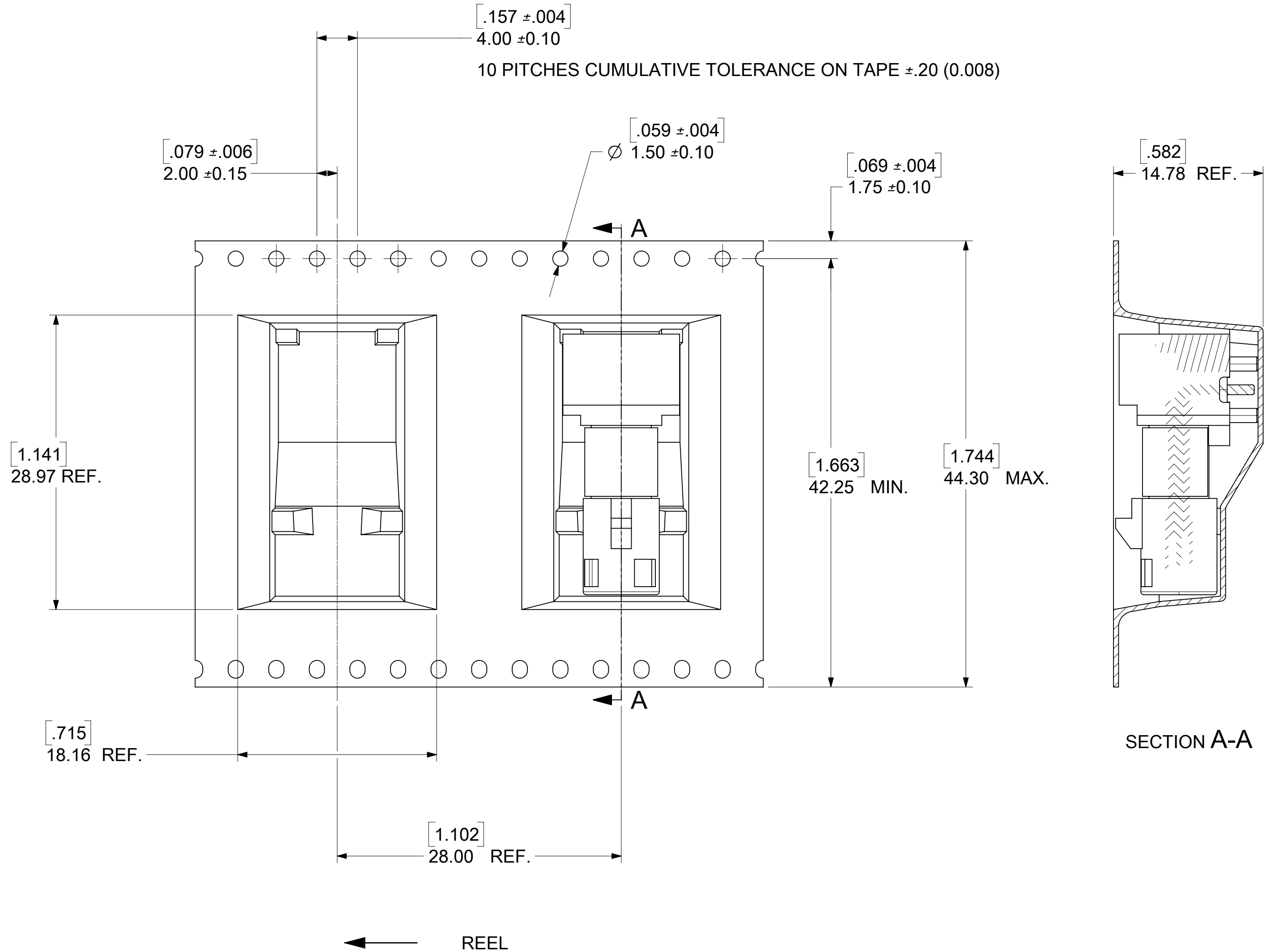
0. SINGLE

1. TAPE & REEL

2. TRAY

THIS DRAWING CONTAINS INFORMATION THAT IS PROPRIETARY TO MOLEX ELECTRONIC TECHNOLOGIES, LLC AND SHOULD NOT BE USED WITHOUT WRITTEN PERMISSION														
SYMBOLS		DIMENSION UNITS		SCALE		CURRENT REV DESC:								
▽ = 0	HYBRID	NTS												
▽ = 0	GENERAL TOLERANCES (UNLESS SPECIFIED)													
▽ = 0	ANGULAR TOL ± 2.0°													
▽ = 0	4 PLACES	±												
▽ = 0	3 PLACES	±												
▽ = 0	2 PLACES	±												
▽ = 0	1 PLACE	±												
⊠ = 0	0 PLACES	±												
■ = 0	DRAFT WHERE APPLICABLE MUST REMAIN WITHIN DIMENSIONS		THIRD ANGLE PROJECTION		DRAWING		SERIES		MATERIAL NUMBER		CUSTOMER		SHEET NUMBER	
▽ = 0			C-SIZE		73403		SEE TABLE		GENERAL MARKET		2 OF 4			
DOCUMENT STATUS			RELEASE DATE			EC NO: 603096			2018/07/31					
						DRWN: ELIN			2018/09/06					
						CHK'D: YCHENG			2018/09/06					
						APPR: YCHENG			2018/09/06					
						INITIAL REVISION:								
						DRWN: SCHOU			2008/11/24					
						APPR: MHUANG			2008/11/24					
DOCUMENT NUMBER				DOC TYPE		DOC PART		REVISION						
SD-73403-505				PSD		001		A2						

FEED DIRECTION →



SECTION A-A

← REEL

NOTES:
1. 160 CONNECTORS PER REEL ON 330.2 mm (13.0 IN) REEL

PRE-RELEASE REFERENCE USE ONLY

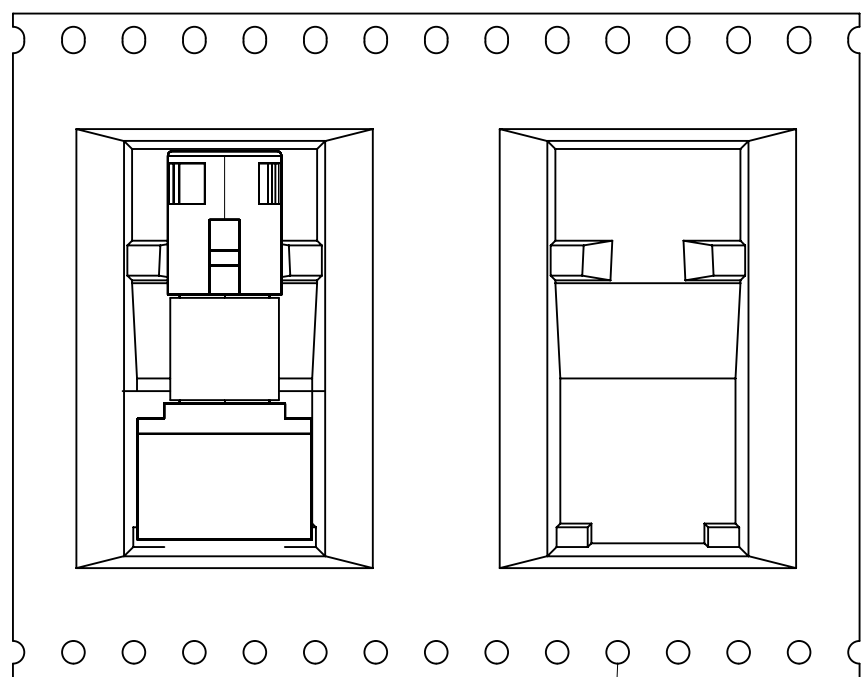
THIS DRAWING CONTAINS INFORMATION THAT IS PROPRIETARY TO MOLEX ELECTRONIC TECHNOLOGIES, LLC AND SHOULD NOT BE USED WITHOUT WRITTEN PERMISSION									
SYMBOLS		DIMENSION UNITS		SCALE		CURRENT REV DESC:			
▽ = 0	HYBRID	NTS							
▽ = 0	GENERAL TOLERANCES (UNLESS SPECIFIED)								
▽ = 0	ANGULAR TOL ± 2.0°								
▽ = 0	4 PLACES	±							
▽ = 0	3 PLACES	±							
▽ = 0	2 PLACES	±							
▽ = 0	1 PLACE	±							
⊠ = 0	0 PLACES	±							
■ = 0	DRAFT WHERE APPLICABLE MUST REMAIN WITHIN DIMENSIONS		THIRD ANGLE PROJECTION		DRAWING		SERIES		
▽ = 0			C-SIZE		73403				
DOCUMENT STATUS			RELEASE DATE			MATERIAL NUMBER			
						SEE TABLE			
						CUSTOMER		SHEET NUMBER	
						GENERAL MARKET		3 OF 4	

molex

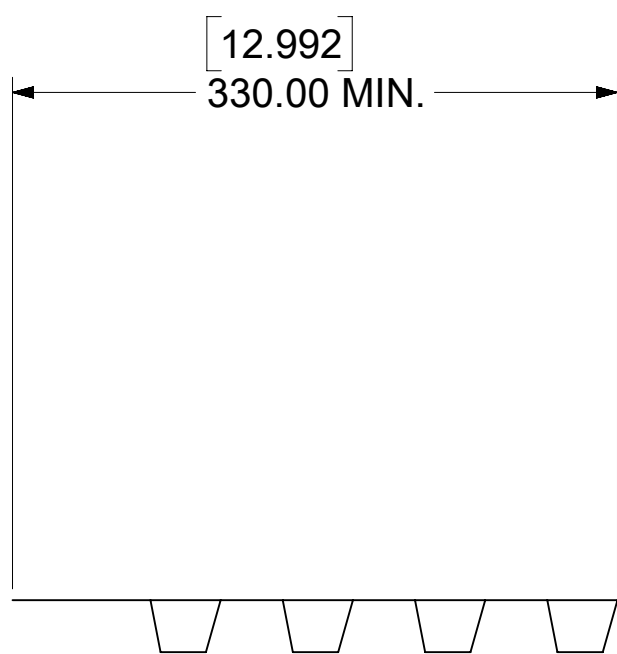
SMB JACK, FAKRA, R/A
PCB, 50 OHMS SMB-J/PCB

PRODUCT CUSTOMER DRAWING

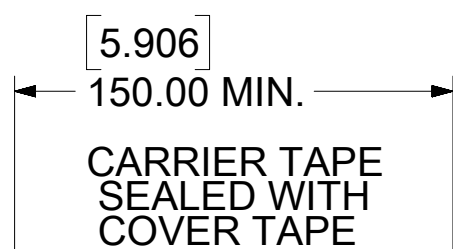
DOCUMENT NUMBER	DOC TYPE	DOC PART	REVISION
SD-73403-505	PSD	001	A2



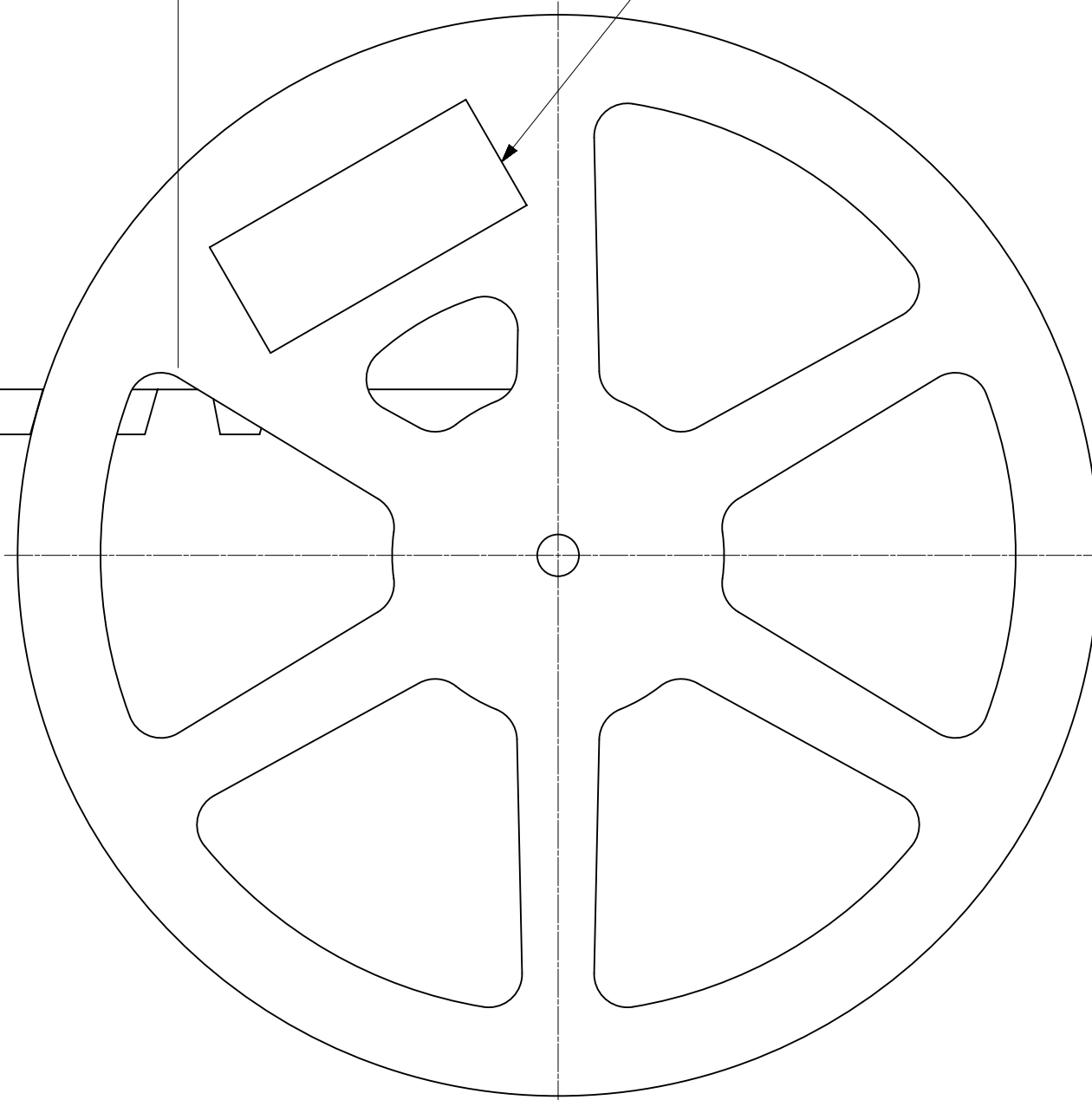
TOP VIEW



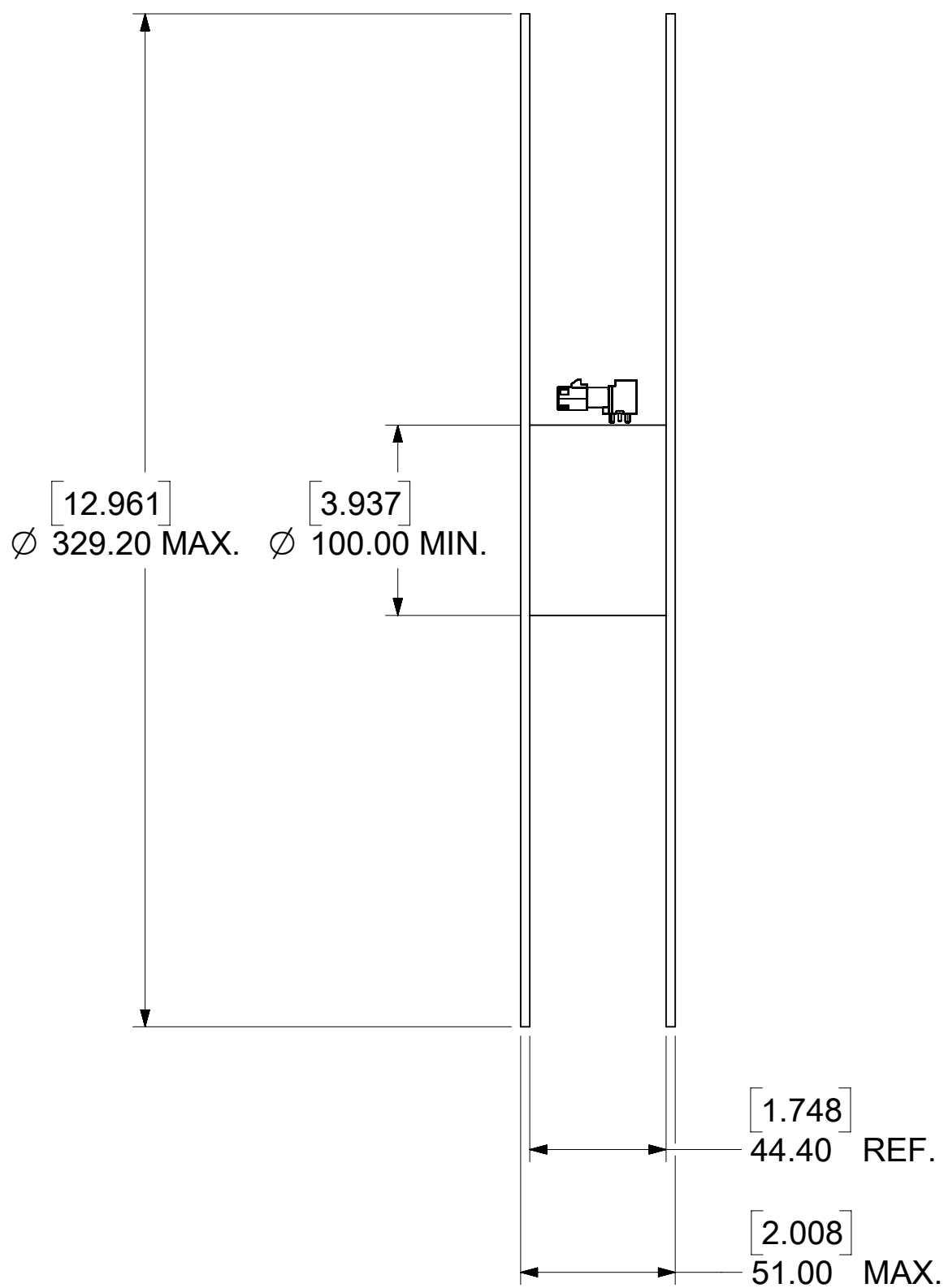
250mm MIN OF CARRIER AND /OR COVER TAPE.
PLUS 80mm MINIMUM OF CARRIER TAPE SEALED
WITH COVER TAPE



LABEL:
- ORDER NO.
- QUANTITY
- PART NO.
- LOT NO.



PRE-RELEASE
REFERENCE
USE ONLY



THIS DRAWING CONTAINS INFORMATION THAT IS PROPRIETARY TO MOLEX ELECTRONIC TECHNOLOGIES, LLC AND SHOULD NOT BE USED WITHOUT WRITTEN PERMISSION											
SYMBOLS		DIMENSION UNITS		SCALE		CURRENT REV DESC:					
▽ = 0	▽ = 0	▽ = 0	▽ = 0	▽ = 0	▽ = 0	HYBRID NTS		molex SMB JACK, FAKRA, R/A PCB, 50 OHMS SMB-J/PCB PRODUCT CUSTOMER DRAWING DOCUMENT NUMBER: SD-73403-505 DOC TYPE: PSD DOC PART: 001 REVISION: A2 MATERIAL NUMBER: SEE TABLE CUSTOMER: GENERAL MARKET SHEET NUMBER: 4 OF 4			
▽ = 0	▽ = 0	▽ = 0	▽ = 0	▽ = 0	▽ = 0	GENERAL TOLERANCES (UNLESS SPECIFIED)					
▽ = 0	▽ = 0	▽ = 0	▽ = 0	▽ = 0	▽ = 0	ANGULAR TOL ± 2.0°					
▽ = 0	▽ = 0	▽ = 0	▽ = 0	▽ = 0	▽ = 0	4 PLACES ±					
▽ = 0	▽ = 0	▽ = 0	▽ = 0	▽ = 0	▽ = 0	3 PLACES ±					
▽ = 0	▽ = 0	▽ = 0	▽ = 0	▽ = 0	▽ = 0	2 PLACES ±		EC NO: 603096			
▽ = 0	▽ = 0	▽ = 0	▽ = 0	▽ = 0	▽ = 0	1 PLACE ±		DRWN: ELIN 2018/07/31			
▽ = 0	▽ = 0	▽ = 0	▽ = 0	▽ = 0	▽ = 0	0 PLACES ±		CHK'D: YCHENG 2018/09/06			
▽ = 0	▽ = 0	▽ = 0	▽ = 0	▽ = 0	▽ = 0	DRAFT WHERE APPLICABLE MUST REMAIN WITHIN DIMENSIONS		APPR: YCHENG 2018/09/06			
▽ = 0	▽ = 0	▽ = 0	▽ = 0	▽ = 0	▽ = 0	THIRD ANGLE PROJECTION		INITIAL REVISION:			
▽ = 0	▽ = 0	▽ = 0	▽ = 0	▽ = 0	▽ = 0	DRAWING		DRWN: SCHOU 2008/11/24			
▽ = 0	▽ = 0	▽ = 0	▽ = 0	▽ = 0	▽ = 0	C-SIZE		APPR: MHUANG 2008/11/24			
▽ = 0	▽ = 0	▽ = 0	▽ = 0	▽ = 0	▽ = 0	SERIES		2008/11/24			
▽ = 0	▽ = 0	▽ = 0	▽ = 0	▽ = 0	▽ = 0	73403					

DOCUMENT STATUS	RELEASE DATE										
-----------------	--------------	--	--	--	--	--	--	--	--	--	--