

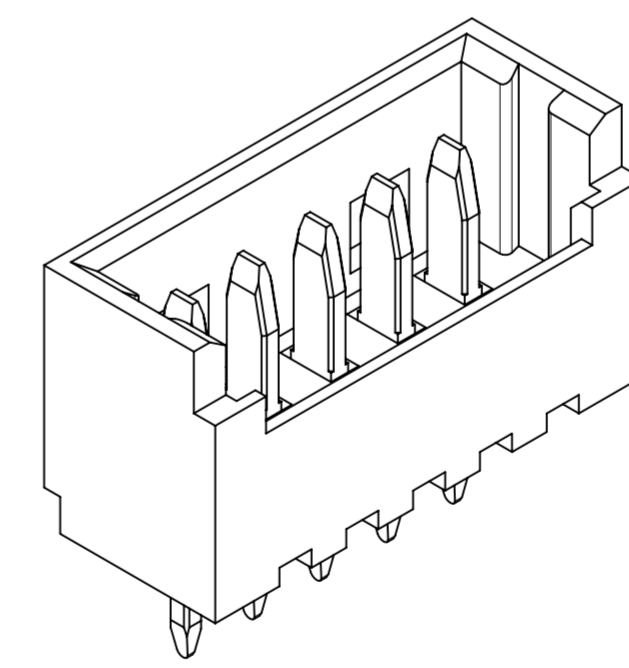
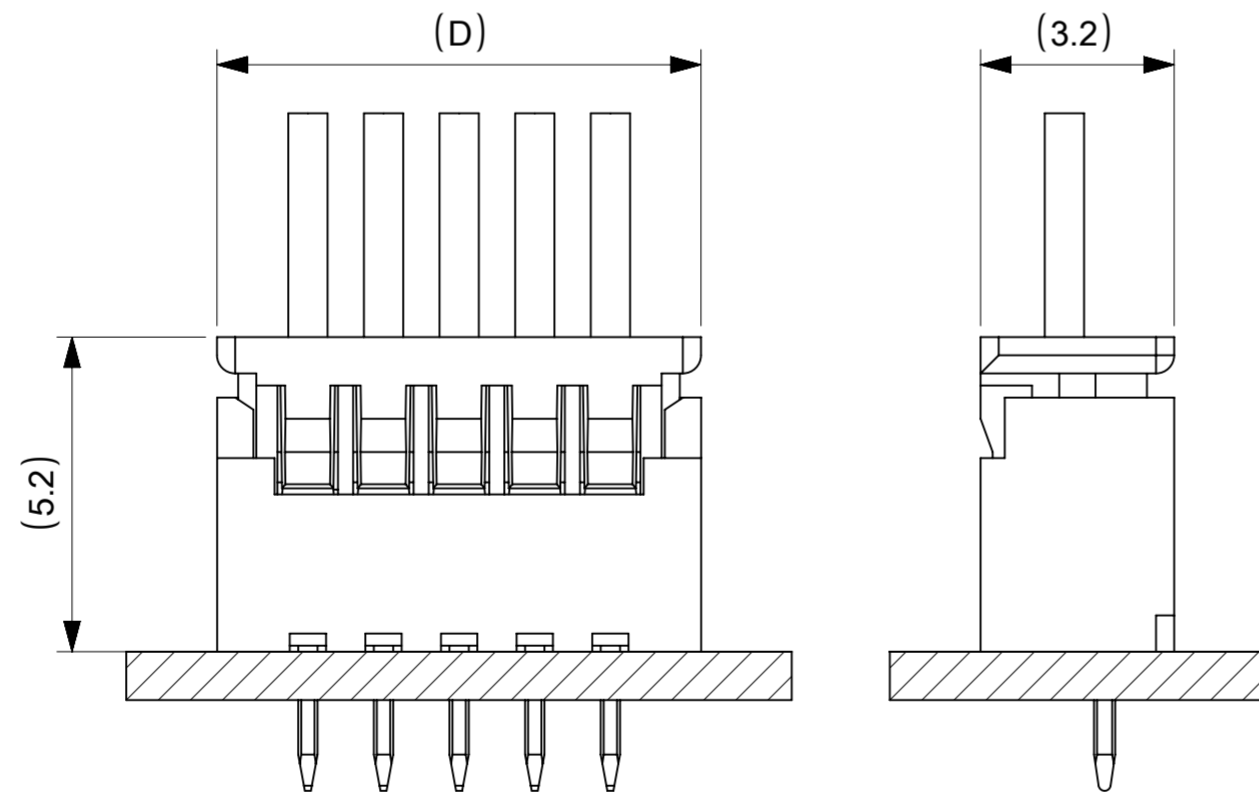
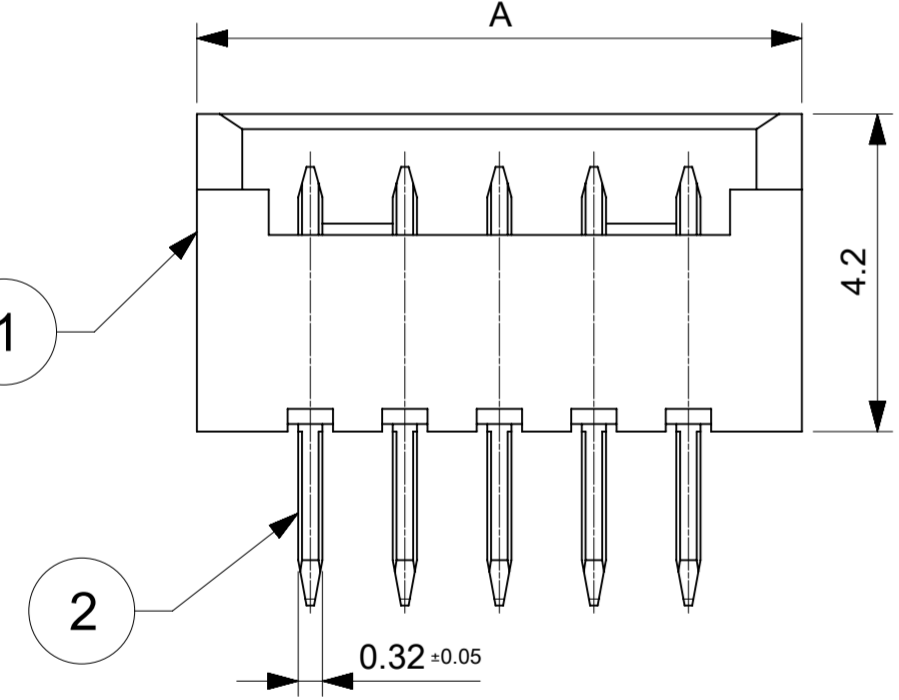
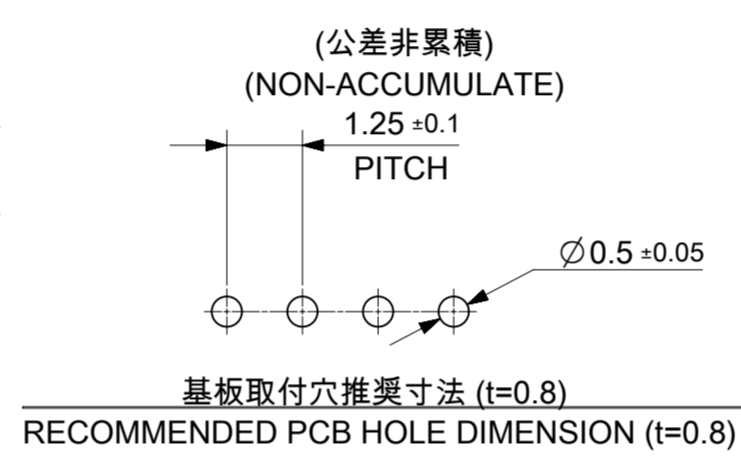
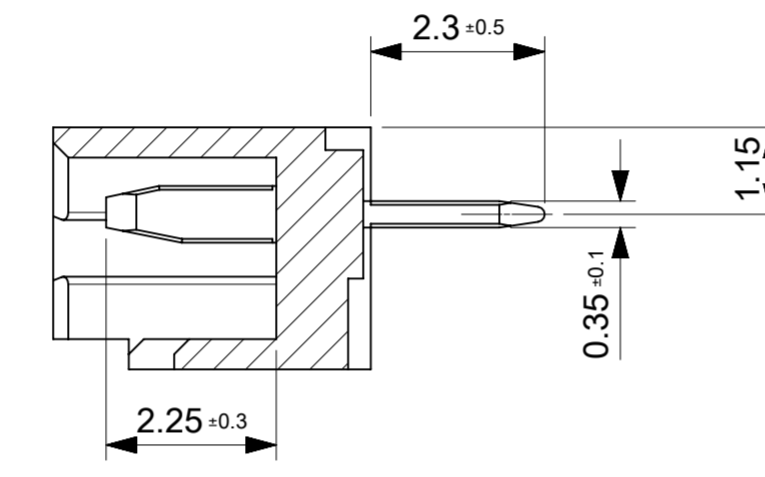
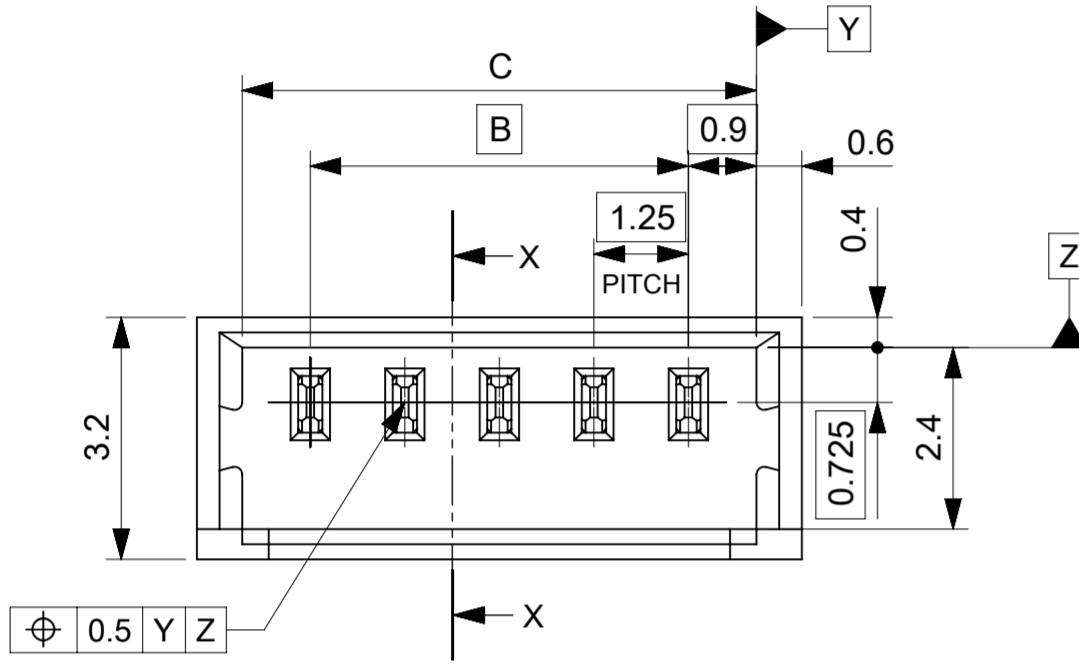
2, 3極形状 (1ロック)
FIGURE OF 2, 3 CIRCUIT (1 LOCK)

4~15極形状 (2ロック)
FIGURE OF 4-15 CIRCUIT (2 LOCKS)

注記 NOTES

- ① 材料及び仕上げ (めっき仕様) : TABLE 1 参照
MATERIAL AND FINISHES: SEE TABLE 1
- ② 適合製品及び各種仕様書はSHEET 2をご参考ください。
PLEASE REFER TO SHEET 2 FOR APPLICABLE PRODUCTS AND VARIOUS SPECIFICATIONS.
- ③ ロック窓 LOCKING WINDOW:
ロック窓は、2、3極では1ヶ所、4極以上では2ヶ所とする。
ONE PLACE FOR 2 AND 3 CIRCUIT.
TWO PLACES FOR 4 CIRCUIT AND MORE.
- ④ 本製品はすずめっき品です。金めっき品は530470001-SDをご参照ください。
THIS PRODUCT IS TIN PLATING TYPE.
PLEASE REFER TO 530470001-SD FOR GOLD PLATING TYPE.
- ⑤ 発注番号
ORDER NUMBER **53047**10**

極数
CIRCUIT



| | | | | | |
|-------|-------|-------|-------|---|---------------|
| 20.5 | 19.3 | 17.5 | 20.5 | 530471510 | 15 |
| 19.25 | 18.05 | 16.25 | 19.25 | 530471410 | 14 |
| 18 | 16.8 | 15 | 18 | 530471310 | 13 |
| 16.75 | 15.55 | 13.75 | 16.75 | 530471210 | 12 |
| 15.5 | 14.3 | 12.5 | 15.5 | 530471110 | 11 |
| 14.25 | 13.05 | 11.25 | 14.25 | 530471010 | 10 |
| 13 | 11.8 | 10 | 13 | 530470910 | 9 |
| 11.75 | 10.55 | 8.75 | 11.75 | 530470810 | 8 |
| 10.5 | 9.3 | 7.5 | 10.5 | 530470710 | 7 |
| 9.25 | 8.05 | 6.25 | 9.25 | 530470610 | 6 |
| 8 | 6.8 | 5 | 8 | 530470510 | 5 |
| 6.75 | 5.55 | 3.75 | 6.75 | 530470410 | 4 |
| 5.5 | 4.3 | 2.5 | 5.5 | 530470310 | 3 |
| 4.25 | 3.05 | 1.25 | 4.25 | 530470210 | 2 |
| D | C | B | A | ⑤ オーダー番号 ORDER NO. 梱包形態: トレイ梱包 PACKAGING: PLASTIC TRAY | 極数 CIRCUIT |

① TABLE 1

① 嵌合図
MATED CONNECTOR

THIS DRAWING CONTAINS INFORMATION THAT IS PROPRIETARY TO MOLEX ELECTRONIC TECHNOLOGIES, LLC AND SHOULD NOT BE USED WITHOUT WRITTEN PERMISSION

| | | | |
|--|------------------------|---------------------------|--------------------------------|
| DIMENSION UNITS | SCALE | CURRENT REV DESC: REVISED | |
| mm | NTS | | |
| GENERAL TOLERANCES (UNLESS SPECIFIED) | | EC NO: 698818 | |
| ANGULAR TOL | ± 3.0° | DRWN: HHUSSIN | 2022/02/16 |
| 4 PLACES | ± 0.2 | CHK'D: SAKIYAMA | 2022/04/19 |
| 3 PLACES | ± 0.2 | APPR: AIDA | 2022/04/19 |
| 2 PLACES | ± 0.2 | INITIAL REVISION: | |
| 1 PLACE | ± 0.2 | DRWN: SOBARA01 | 2019/04/10 |
| 0 PLACES | ± 0.2 | APPR: AIDA | 2019/10/15 |
| DRAFT WHERE APPLICABLE MUST REMAIN WITHIN DIMENSIONS | THIRD ANGLE PROJECTION | DRAWING | SERIES |
| | | A2-SIZE | 53047 |
| | | MATERIAL NUMBER | CUSTOMER |
| | | SEE CHART | GENERAL |
| | | DOCUMENT NUMBER | DOC TYPE DOC PART REVISION |
| | | 530470000-SD | PSD 000 B |
| | | SHEET NUMBER | 1 OF 2 |

molex

PICOBLADE 1.25
HEADER ASSY DIP VT TIN PLATING TYPE

PRODUCT CUSTOMER DRAWING

| 番号 NO. | 部品 PART | 材質 MATERIAL | |
|-----------------|----------------|---|---|
| ① | ハウジング HOUSING | ポリアミド(PA), UL94V-0, 色: ナチュラル (ホワイト) POLYAMIDE(PA), UL94V-0, COLOR: NATURAL (WHITE) | |
| ② | ターミナル TERMINAL | 母材 MATERIAL | りん青銅 PHOSPHOR BRONZE |
| | | コンタクト部 CONTACT AREA | 無光沢錫めっき 0.9 MICRO-METER MIN. (リフロー処理、前めっき) |
| | | テール部 TAIL AREA | MATTE TIN PLATING 0.9 MICRO-METER MIN. (REFLOW TREATMENT, PRE-PLATING) |
| DOCUMENT STATUS | P1 | RELEASE DATE | 2022/04/19 08:41:22 |

△ 適合製品及び各種仕様書
APPLICABLE PRODUCTS AND SPECIFICATIONS

| | | | | | |
|--|-----------------|--------------------------|-----------|---------------------------------------|-----------|
| 梱包仕様書 PACKING SPECIFICATION | | PART NUMBER 53047**10 | | SPECIFICATION NUMBER SPK-53047-001 | |
| 適合ハウジング APPLICABLE HOUSING | | PART NUMBER 51021**00 | | | |
| 適合圧着端子 APPLICABLE TERMINAL | PLATING | TIN | | | |
| | PART NUMBER | 500798*00 | 500588*00 | 500798001 | 500588001 |
| | WIRE SIZE (AWG) | #26-28 | #28-32 | #26-28 | #28-32 |
| 製品仕様書 PRODUCT SPECIFICATION | | PS-51021-010 PS 001 | | 510211110-PS PS 000 | |
| アプリケーション仕様書 (取扱説明書) APPLICATION SPECIFICATION | | 510210000-AS PS 000 | | | |

THIS DRAWING CONTAINS INFORMATION THAT IS PROPRIETARY TO MOLEX ELECTRONIC TECHNOLOGIES, LLC AND SHOULD NOT BE USED WITHOUT WRITTEN PERMISSION

| | | | | | | |
|--|---------------------|---------------------------|------------|--------------------------|----------|--------------|
| DIMENSION UNITS mm | SCALE NTS | CURRENT REV DESC: REVISED | | molex | | |
| GENERAL TOLERANCES (UNLESS SPECIFIED) | | EC NO: 698818 | | | | |
| ANGULAR TOL ± 3.0° | 4 PLACES ± 0.2 | DRWN: HHUSSIN | 2022/02/16 | PRODUCT CUSTOMER DRAWING | | |
| 3 PLACES ± 0.2 | 2 PLACES ± 0.2 | CHK'D: SAKIYAMA | 2022/04/19 | DOCUMENT NUMBER | | |
| 1 PLACE ± 0.2 | 0 PLACES ± 0.2 | APPR: AIDA | 2022/04/19 | 530470000-SD | | |
| INITIAL REVISION: | | DRWN: SOBARA01 | | DOC TYPE | DOC PART | REVISION |
| DRAFT WHERE APPLICABLE MUST REMAIN WITHIN DIMENSIONS | | APPR: AIDA | | 2019/04/10 | PSD | 000 |
| THIRD ANGLE PROJECTION | | DRAWING | SERIES | MATERIAL NUMBER | CUSTOMER | SHEET NUMBER |
| | | A2-SIZE | 53047 | SEE CHART | GENERAL | 2 OF 2 |