

6

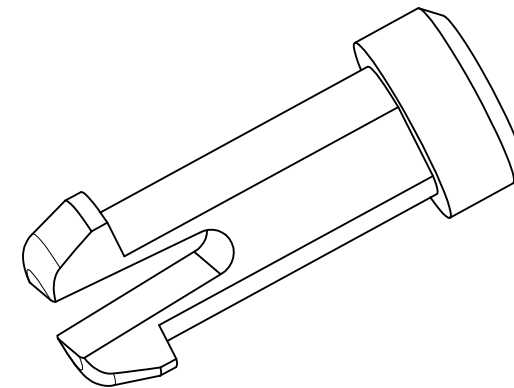
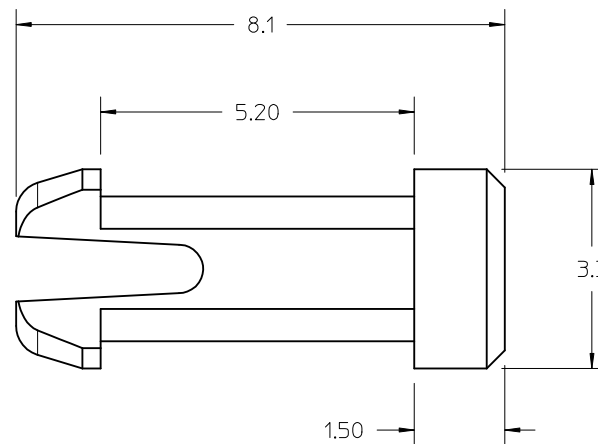
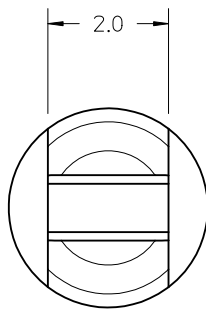
5

4

3

2

1



NOTES:

1. MATERIAL: NYLON 6/6, UL94 V-0 (RMS-19)
COLOR: NATURAL
2. FOR USE WITH MOLEX EDGELINE COEDGE SERIES 46720.
3. RIVETS RECEIVED FROM MOLEX IN INDIVIDUAL PLASTIC BAGS WITH QUANTITY 1000 PCS
4. TO REMOVE RIVET FROM ASSEMBLY USE MOLEX REMOVAL TOOL NUMBER 638133502

REMOVED P/N 7711 EC NO: UCP2012-0083 DRWN: TGREGORI 2011/07/14 CHKD: APPR: JCOMERCI 2011/09/13	QUALITY SYMBOLS ▽=0 ▽=0 ▽=0	GENERAL TOLERANCES (UNLESS SPECIFIED)		DIMENSION STYLE MM ONLY		SCALE 8:1	DESIGN UNITS METRIC	THIRD ANGLE PROJECTION	
			mm	INCH	DRAWN BY TGREGORI	DATE 2010/03/24	TITLE SNAP LOCK PIN EDGELINE COEDGE CONNECTOR		
		4 PLACES	± ---	± ---	CHECKED BY	DATE			
		3 PLACES	± ---	± ---	APPROVED BY JCOMERCI		DATE 2010/04/12	MOLEX MOLEX INCORPORATED	
2 PLACES	± 0.13	± ---	ANGULAR ± 1/2°		MATERIAL NO. 46720-7710	DOCUMENT NO. SD-46720-7710	SHEET NO. 1 OF 1		
1 PLACE	± 0.25	± ---	DRAFT WHERE APPLICABLE MUST REMAIN WITHIN DIMENSIONS		SIZE A	THIS DRAWING CONTAINS INFORMATION THAT IS PROPRIETARY TO MOLEX INCORPORATED AND SHOULD NOT BE USED WITHOUT WRITTEN PERMISSION			

5

4

3

2

1