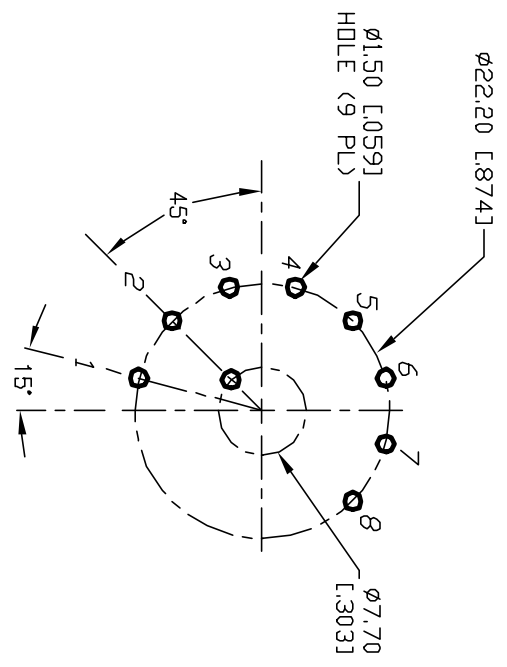
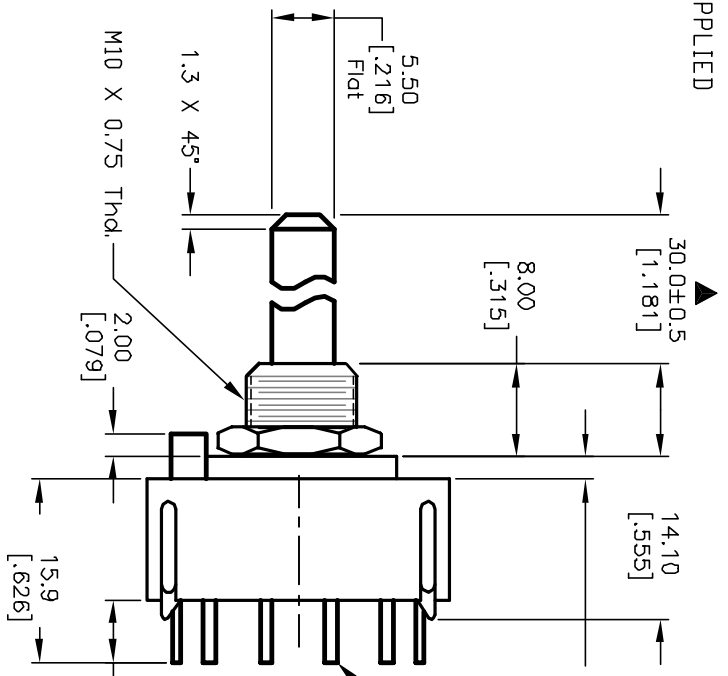
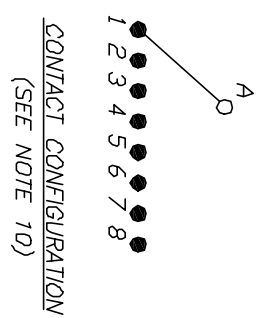
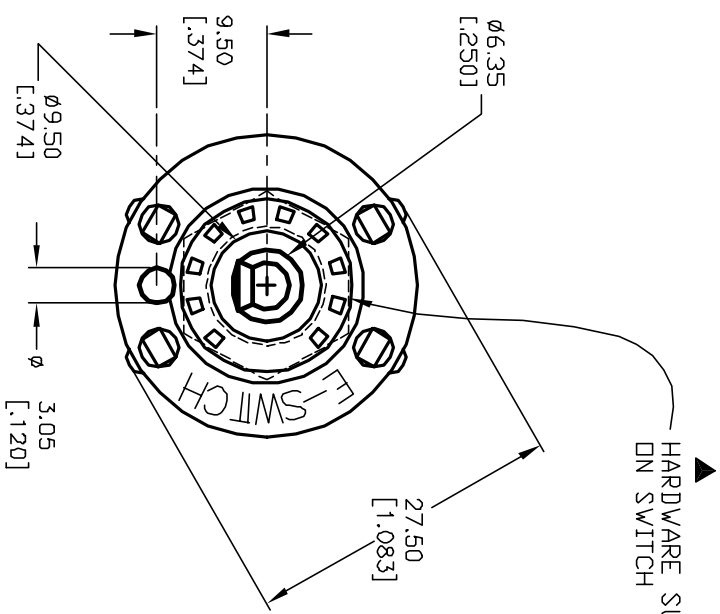


- NOTES:
1. ALL DIMENSION IN MM [INCH]
 2. GENERAL TOLERANCE: X.X=±0.4
X.XX=±0.25
 3. TERM. NOS. FOR REF. ONLY
 4. CONTACT RATING SWITCHING: 150mA, 250V AC/DC
350mA, 110V AC/DC
 5. OPERATING FORCE: 425±100 CM/STANDARD
 6. OPERATING TEMP: -30° to 85°C
 7. CIRCUIT SP: 8 POSITIONS, 30° INDEX.
 8. DIELECTRIC STRENGTH: 1000V RMS min.@Sea Level
 9. DESIGNATE MAJOR DIMENSIONS
 10. TIMING: BBM (Non-Shorting) Break Before Make.
 11. HARDWARE SUPPLIED ON SWITCH- SEE BELOW
STOP RING, LOCKWASHER, & HEXNUT



E-SWITCH®

B				
A	12855	RELEASED FOR PRODUCTION	2/28/03	CJB
REV.	ECN No.	DESCRIPTION	DATE	CHKD

TITLE		SCALE	DATE	DR	DWG	REV
KC-18-A-(30.0mm) 02-N-P-S		1.5:1	2/24/03	CJB	G530170	A

THE INFORMATION CONTAINED IN THIS DOCUMENT IS PROPRIETARY TO E-SWITCH AND IS NOT TO BE COPIED OR TRANSFERRED