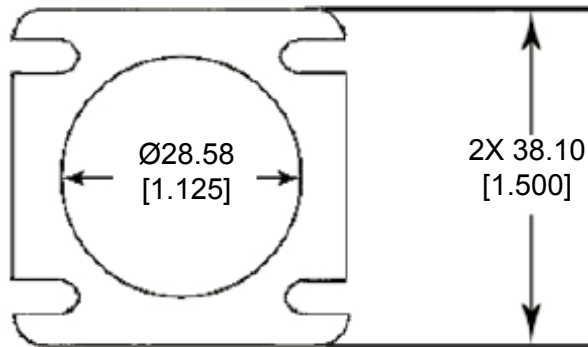


REVISIONS					
P	LTR	DESCRIPTION	DATE	DWN	APVD
	A	NEW RELEASE PER ECO-14-012863	08-27-14	DM	DM



4. THICKNESS: 3.18 [.125]
3. PART NO. HD10-6-GKT
2. TEMPERATURE RATING: -57°C TO +107°C [-70°F TO +225°F]
1. THIS PART IS USED ON HD10-6-XXX RECEPTACLES, WHERE XXX IS PIN ARRANGEMENTS. SEE INDIVIDUAL CUSTOMER DRAWINGS


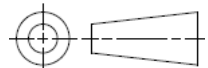
2014

RELEASED FOR PUBLICATION

THIS DRAWING IS UNPUBLISHED.

ALL RIGHTS RESERVED.

© COPYRIGHT 2014 BY TE CONNECTIVITY

DIMENSIONS: MM [INCH]	DWN D. MEYER 27AUG2014	MATERIAL CLD CELL SPONGE	FINISH BLACK
	CHK I. GRANTCHAROVA 27AUG2014		
TOLERANCES UNLESS OTHERWISE SPECIFIED:	APVD D. MEYER 27AUG2014		
0 PLC ±	PRODUCT SPEC	NAME GASKET, RECEPTACLE, SIZE 6 HD10 SERIES	
1 PLC ±	APPLICATION SPEC	SIZE A 4	CAGE CODE 4AFU8
2 PLC ± 0.76 [.030]		DRAWING NO C-HD10-6-GKT	RESTRICTED TO -
3 PLC ±	WEIGHT .91 g		
4 PLC ±	Customer Drawing		SCALE NONE
ANGLES ± 5°			SHEET 1 OF 1
			REV A