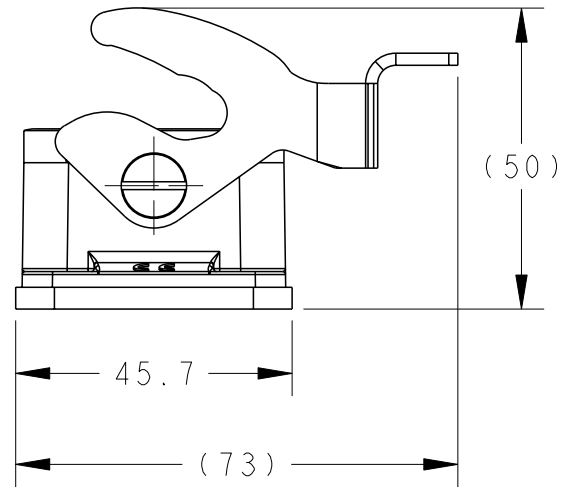
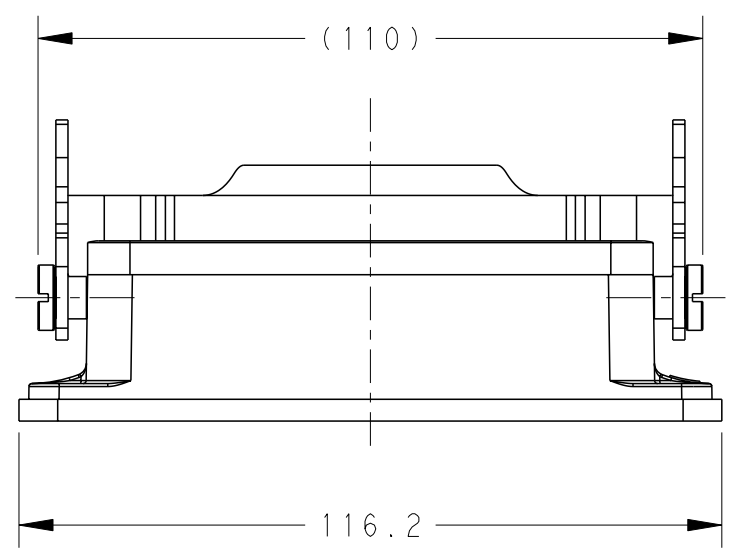


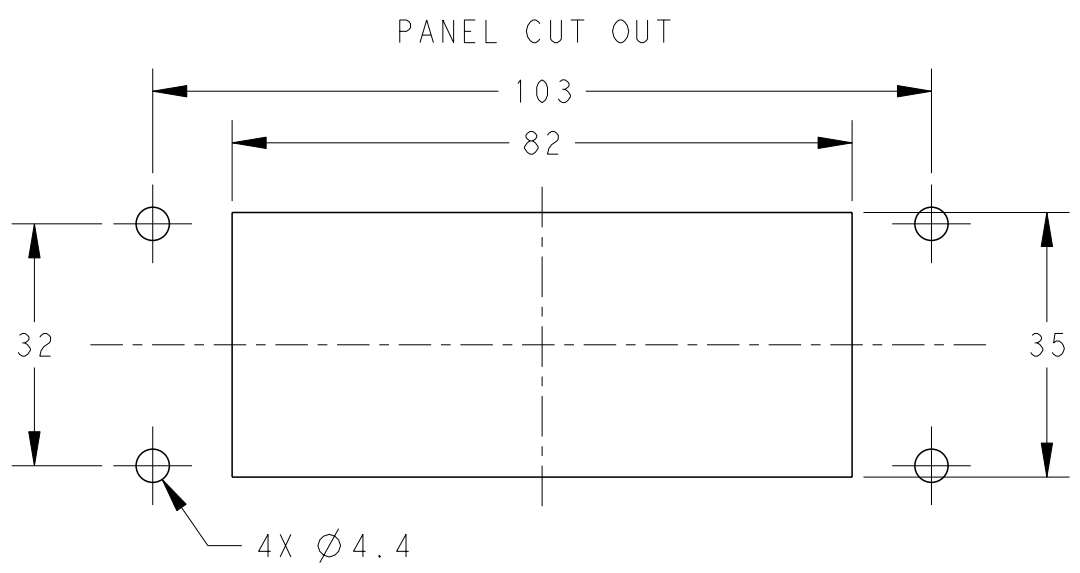
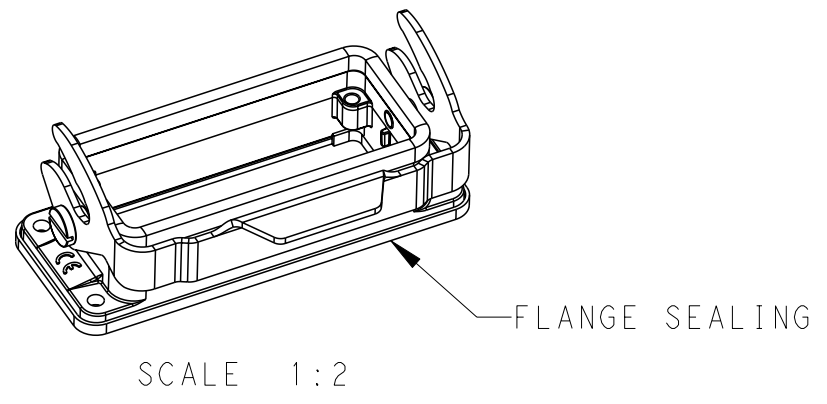
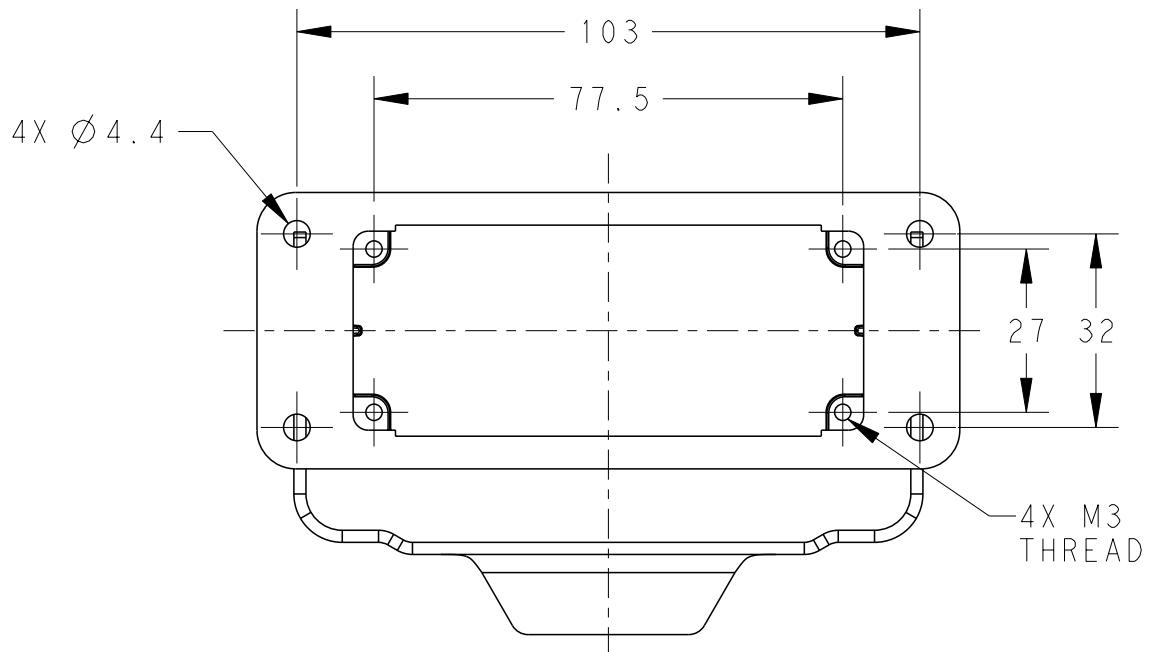
THIS DRAWING IS UNPUBLISHED. RELEASED FOR PUBLICATION 20  
 © COPYRIGHT 20 BY - ALL RIGHTS RESERVED.

REVISIONS					
P	LTR	DESCRIPTION	DATE	DWN	APVD
	A	INITIAL	10JUN2015	DW	CW
	B	ECR-20-008190	14SEP2020	WQR	CW



NOTES:  
 1. TECHNICAL CHARACTERISTICS:  
 HOUSING MATERIAL: DIE CAST ALUMINIUM ALLOY  
 SURFACE: POWDER COATED, GREY  
 DEGREE OF PROTECTION: IP65 (MATED)

注释:  
 1. 技术参数:  
 下壳材料: 铝合金  
 表面处理: 粉末涂层, 灰色  
 防护等级: IP65(配合)



T1500163000-000	H16B-AG-LB	GREY
T1500163000-100	H16B-AG-LB	GREY FLANGE SEALING FIXED BY GLUE WITH HOUSING
PART NUMBER	DESCRIPTION	HOUSING COLOR

THIS DRAWING IS A CONTROLLED DOCUMENT.		DWN 25JUN2015 David Wang	<b>TE</b> TE Connectivity	
DIMENSIONS: mm		CHK 25JUN2015 Chris Wang		
TOLERANCES UNLESS OTHERWISE SPECIFIED:		APVD 25JUN2015 Xiang Xu	NAME H16B-AG-LB	
0 PLC ±-		PRODUCT SPEC 108-137013	SIZE CAGE CODE DRAWING NO RESTRICTED TO	
1 PLC ±-		APPLICATION SPEC 114-137013	A300779 C-T1500163000X00 -	
2 PLC ±-		WEIGHT -	SCALE 4:5 SHEET 1 OF 1 REV B	
3 PLC ±-		Customer Drawing		
4 PLC ±-				
ANGLES ±-				
FINISH -				
MATERIAL -				

printed on 2 Apr 2021 17:12 (China Standard Time) from TE343646