



**Mallory Sonalert Products, Inc.**

Part #:

**FL1M-12SJ-1  
12mm Panel Light**

**Sales Outline Drawing**

Revision:

**B**

**Specifications:**

Panel Hole	12 mm
Voltage Type	AC/DC
LED Color Available	Red, Green, Blue, Yellow, or White
Lens Color	Same as LED
Rated Voltage Available	See table below
Max Current Draw	20 mA
Storage & Operating Temperature	-20 °C to +85 °C
Ingress Protection Rating	IP65
LED Life	70,000 hours
Weight (Typical)	13.5 g
Housing Material	Nickel-plated Brass, PA66, and Polycarbonate
Termination Type	Flat Blade Quick-Connect Terminal
Terminal Dimensions	6.3mm x 0.8mm x 9mm
Max Nut Torque	32 ft-lbs (44 Nm)
Panel Thickness	0.04-0.30" (1-7.7 mm)
Hardware Kit	LM12-FSQ12-MHDP12

**RoHS Compliant**

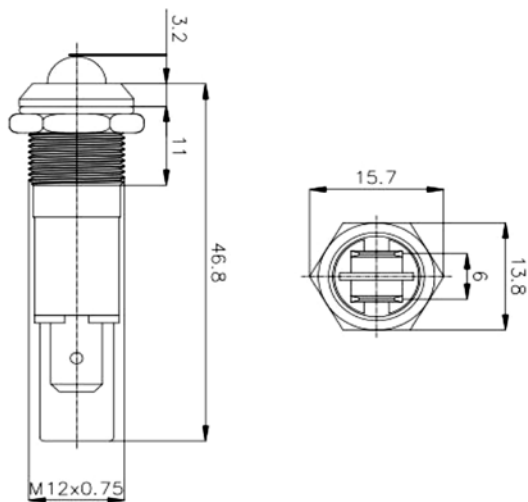
**Dimensions (mm):**

**Part Number:**

**FL1M-12SJ-1-X#V**

B=Blue  
 G=Green  
 R=Red  
 Y=Yellow  
 W=White

Rated Voltage



Length for reference only.

	Light Intensity	Dominant Wavelength	Viewing Angle
Red	1000 -1500 mcd	622 nm	180°
Green	8000 -10000 mcd	522 nm	180°
Yellow	1000 -1500 mcd	590 nm	180°
Blue	2000 - 3000 mcd	464 nm	180°

Rated Voltage	2 VAC/DC	3 VAC/DC	6 VAC/DC	12 VAC/DC	24 VAC/DC	48 VAC/DC	110 VAC/DC	220 VAC/DC	380 VAC/DC
Red	1.8-2.2V	2.7-3.3V	5.4-6.6V	10.8-13.2V	21.6-26.4V	43.2-52.8V	99-121V	198-242V	342-418V
Green	N/A	3-3.2V	5.4-6.6V	10.8-13.2V	21.6-26.4V	43.2-52.8V	99-121V	198-242V	342-418V
Blue	N/A	3.12-3.2V	5.4-6.6V	10.8-13.2V	21.6-26.4V	43.2-52.8V	99-121V	198-242V	342-418V
Yellow	2-2.2V	2.7-3.3V	5.4-6.6V	10.8-13.2V	21.6-26.4V	43.2-52.8V	99-121V	198-242V	342-418V
White	N/A	3-3.2V	5.4-6.6V	10.8-13.2V	21.6-26.4V	43.2-52.8V	99-121V	198-242V	342-418V