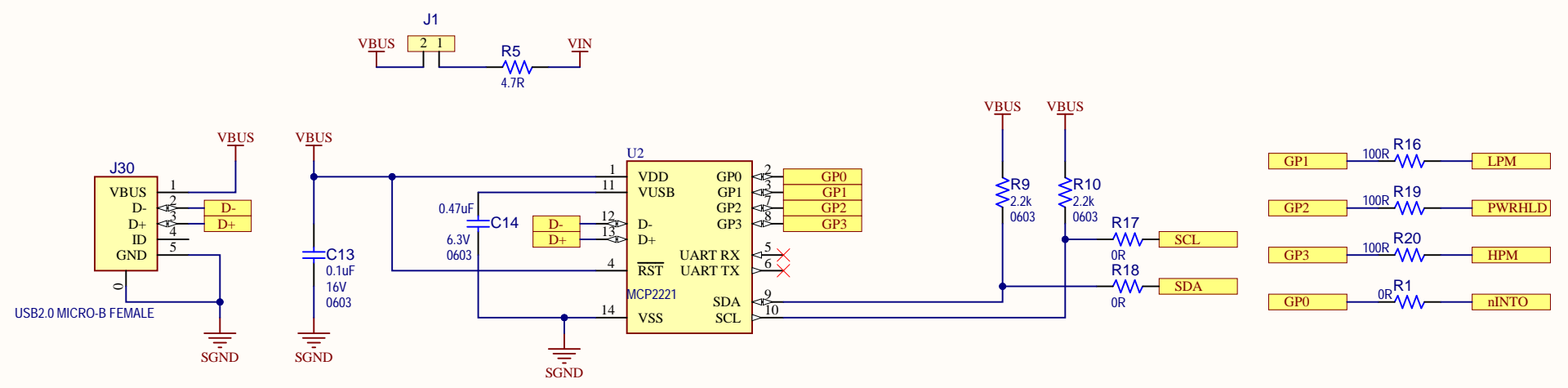
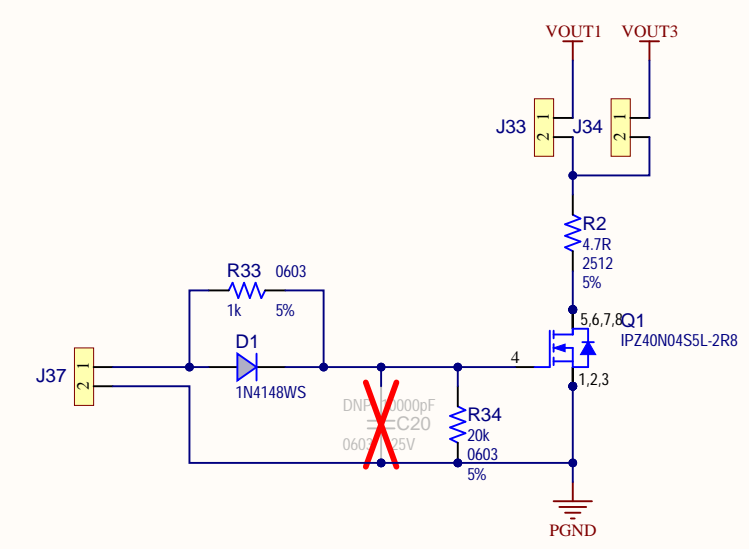
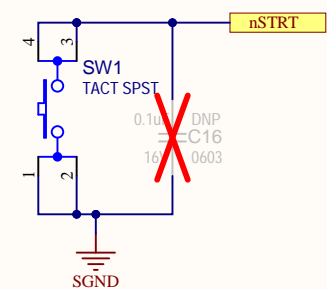
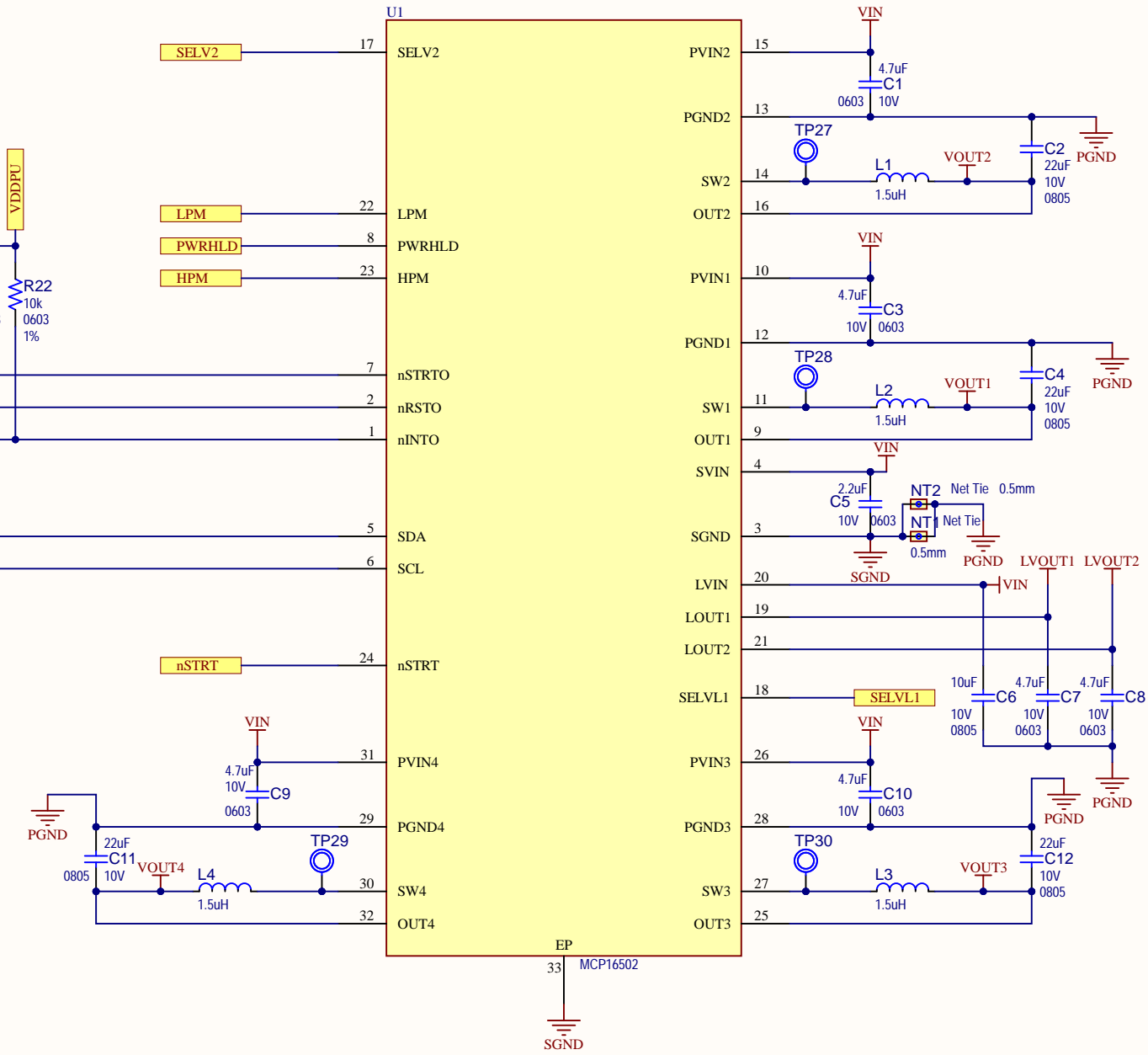
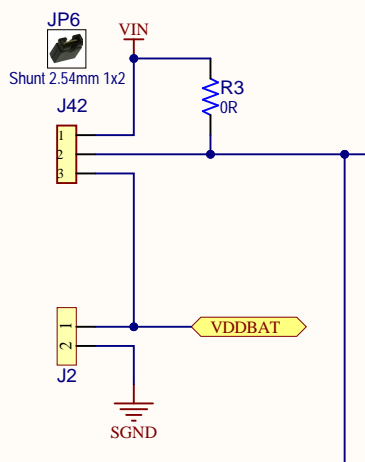
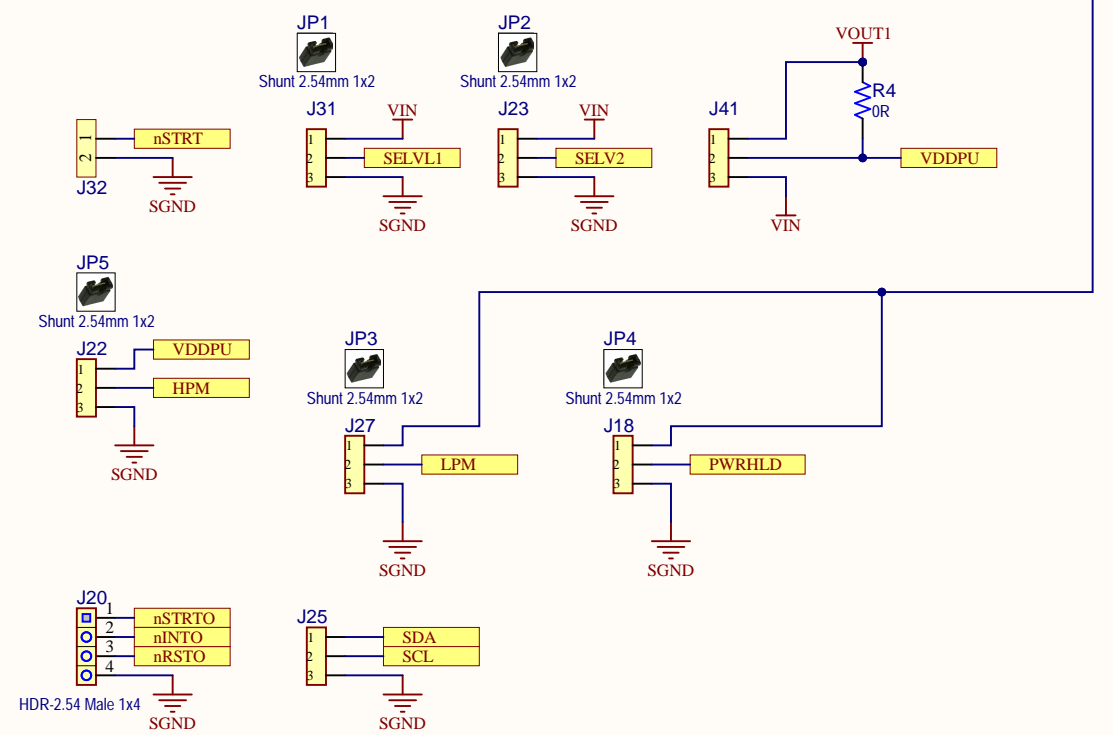
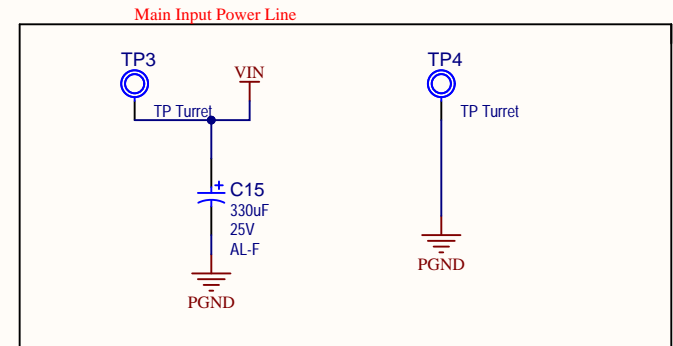
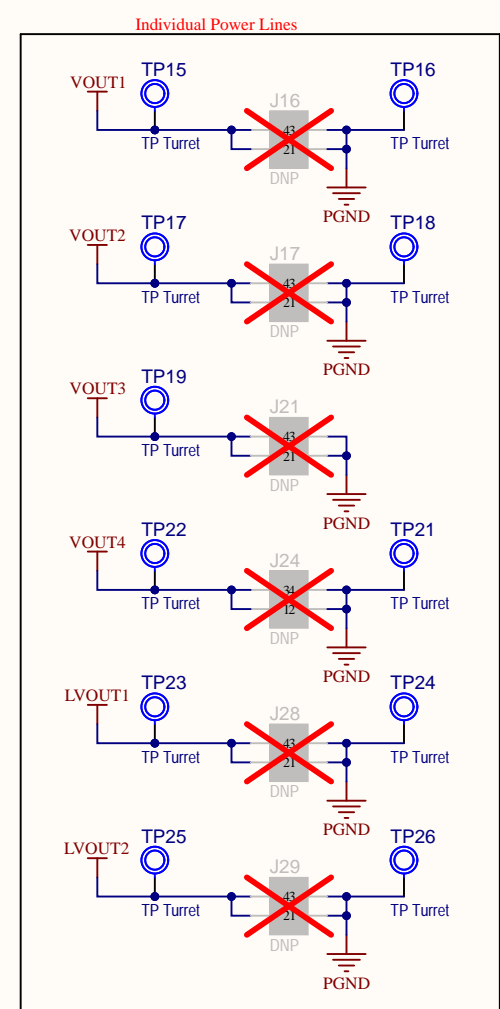


REV	ECO#	DESCRIPTION	DATE



LABEL1
02- -R1
LABEL Need Help Small

Drawn By: Catalin Bibirica
Engineer: Catalin Bibirica
PartNumber: DT100105
Project Title: MCP16502 Evaluation Board
Sheet Title: MCP16502 Evaluation Board
Size: C
Revision: 1
Date: 2/19/2020 2:47:25 PM
Sheet 1 of 1
File: Mechanical.SchDoc

MICROCHIP

Designed with **Altium**