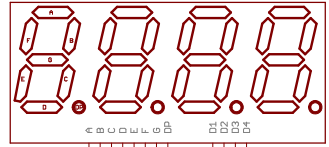
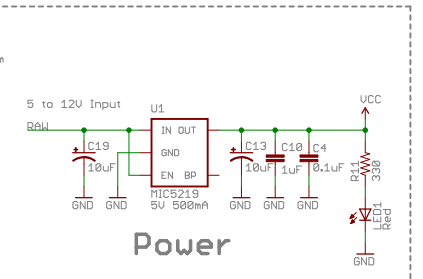


v1.0  
 4 / 0.08 = 500hm  
 5 - 1 = 4U  
 80mA Max @ 25% Duty cycle  
 12 for Display  
 2 for Serial  
 2 for I2C  
 4 for SPI  
 2 for I2C Address  
 1 for counter  
 Changes on v1.1:  
 Add reset breakout  
 Fixed silk  
 Swapped NPN/PNPs

Changes on v1.2:  
 5 - 2.1(Yellow U1) - 0.6(NPN+PND Us) = 2.3U  
 2.3U = R \* 0.06A (60mA peak)  
 R = 38.3 Ohm  
 Measurements show 10mA. Changing to 27 Ohm  
 Removed I2C adr jumpers  
 Add 09H logo  
 Added A6/A7 inputs  
 Changed SPI pins to SDO/SDI to match original SPS  
 Changes on v1.3:  
 Move in 10uF cap  
 Add silk to top side A6/7  
 Ganged I2C + pur

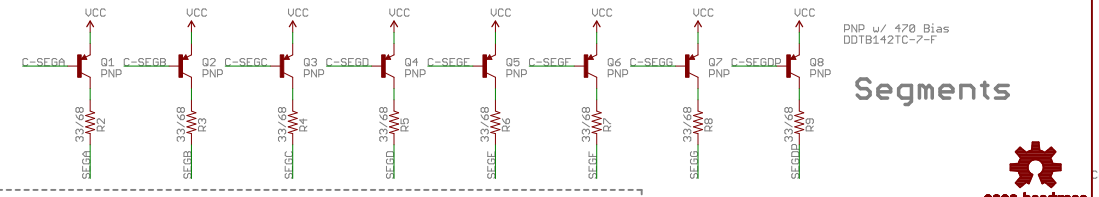


Arduino

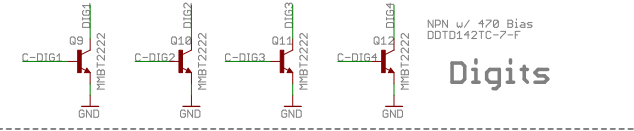
Display

Measurements:

Red/Yel	Blu/Wht	Measurements:
5V --	5V --	5.0V
500Ohm	4.68V --	4.2V
52.4mA(4 segs)	4.78V --	10mA
2.08V --	3.31V --	4.0V
		3.32V
0.55V --	0.8V --	1.59V
0V --	0V --	0V
Min/Max	Min/Max	
19(52.4mA)/74(35mA)	28(52mA)/42(35mA)	
Red/Yellow/Green: 68	Blue/White: 33 or 49	

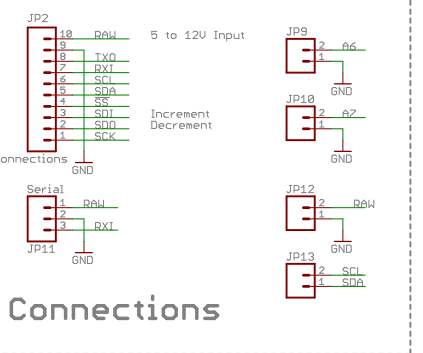


Segments



Digits

TITLE: OpenSegment-v13	0000	SFE	SFE
Document Number:		REV:	
Date: 3/21/2013 4:14:04 PM		Sheet: 1/1	



Connections

Released under the Creative Commons Attribution Share-Alike 3.0 License  
<http://creativecommons.org/licenses/by-sa/3.0>  
 Design by: N. Seidle