

FEATURES

- **CoreHW Gen3S PCB** antenna array for Bluetooth® Low Energy 5.1 AoX direction finding systems
- Operating frequency range: 2400-2483 MHz
- CoreHW CHW1010 SP16T Bluetooth AoA/AoD antenna switch
- Connectors for radio frequency signals and CoreHW CHW1010 SP16T GPIO control signals
- Four patch antenna elements
- Low cost 4-layer PCB stack-up structure
- Optimized phase balance between antenna chains
- Firmware support and antenna models available
- PCB dimensions: 75mm x 75mm

APPLICATIONS

- *Asset tracking in factories, offices, logistics etc.*
- *Access control*
- *People tracking*
- *Wayfinding*
- *Point-of-interest services*
- *Proximity marketing*
- *Shopping guidance and assistance*
- *Equipment and facilities utilization*
- *Consumer behavior analysis*
- *Security services*
- *Item finding*

www.corehw.com

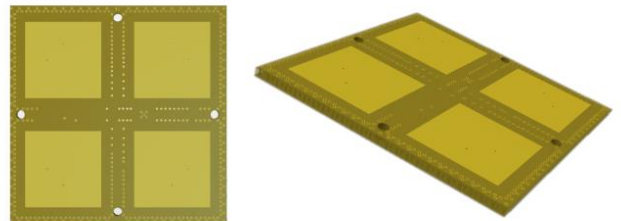
GENERAL DESCRIPTION

CoreHW Gen3S PCB is an antenna array consisting of four patch antenna elements. The antenna array PCB is intended for direction and positioning system solution providers.

Gen3S antenna array board contains CoreHW CHW1010 SP16T Bluetooth AoA/AoD capable antenna switch for antenna controls and Bluetooth CTE sampling. The device comprises of very low phase mismatch antenna switch array which enables real high accuracy positioning.

Gen3S antenna boards enable system solutions which are insensitive to multipath signal and has outstanding position accuracy down to 50cm level.

CoreHW offers an AoA reference design system with CoreHW firmware and Windows PC positioning engine SW with user interface (GUI). The reference system contains four patch antenna array-based locators. The reference system can be used for laboratory tests and PoC testing in real use case scenarios.



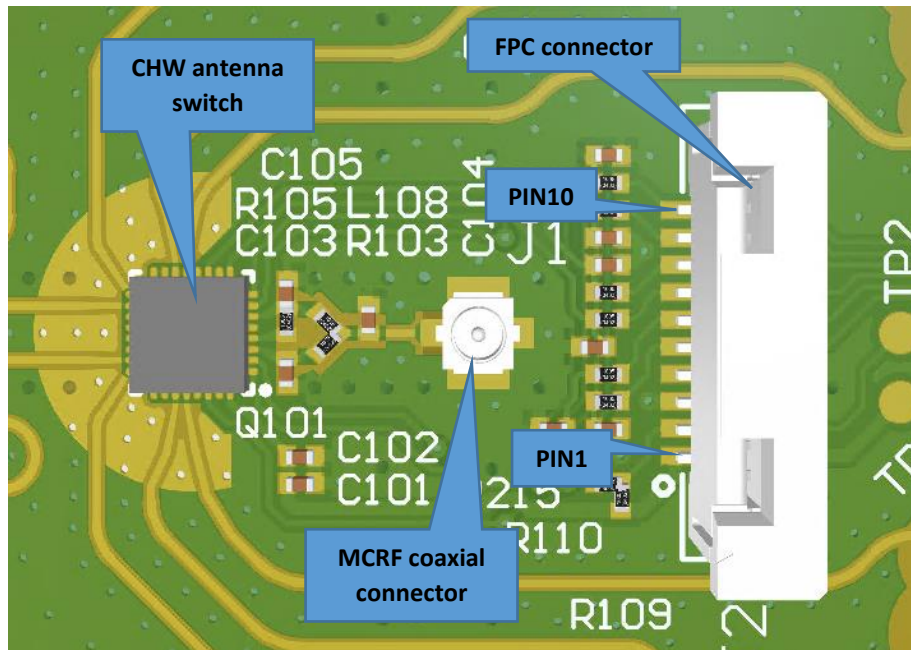
PCB CONNECTORS AND SIGNAL PINS

Table 1. Connector types

RF connector	GPIO connector
MCRF coaxial 50 Ohms	FPC vert 10pos, pitch 1mm

Table 2. GPIO pin contacts

Pin	Purpose	Description
1	VBAT	Supply voltage (3V nominal)
2	Unused	Unused
3	GND	GND
4	GND	GND
5	D1	ANT_SELO
6	D3	ANT_SEL2
7	D2	ANT_SEL1
8	D4	ANT_SEL3
9	D0	Digital control input
10	EN	Chip enable

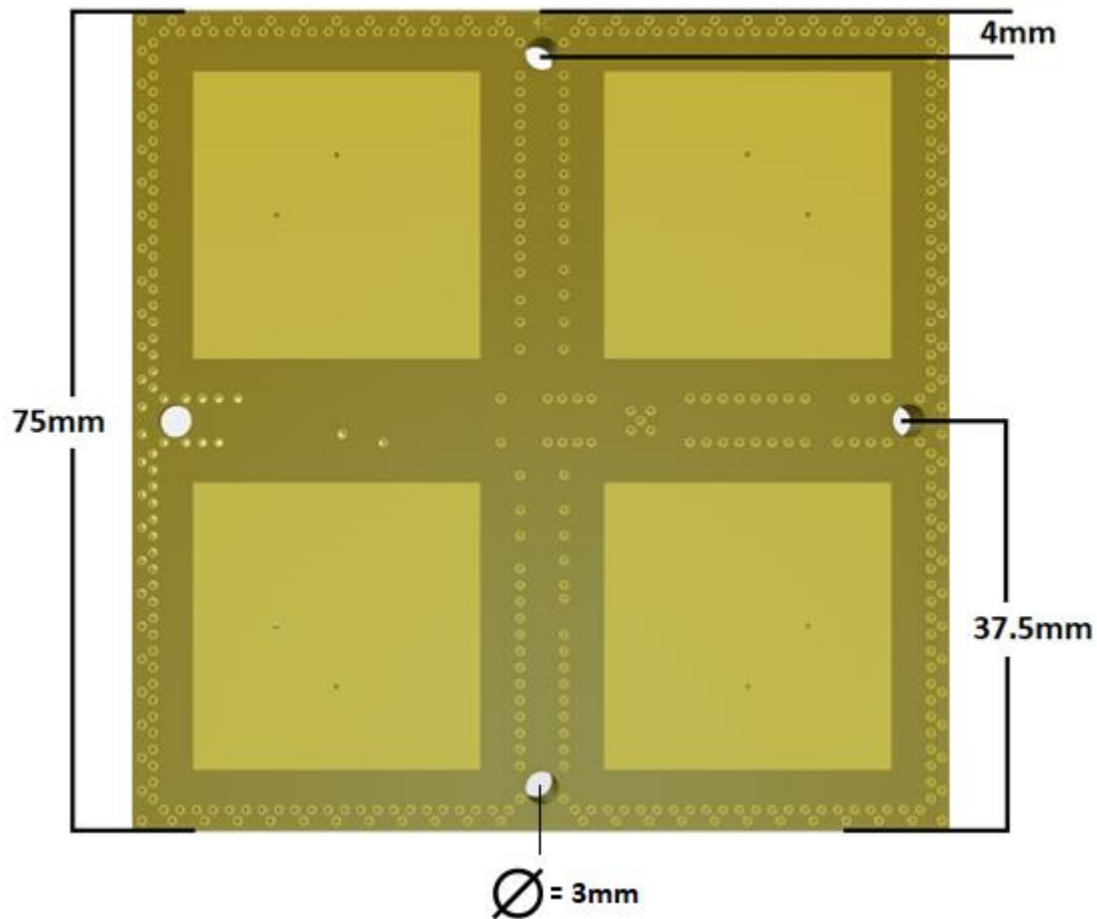


Technical Data

CHW1010-ANT3-1.0

DIMENSIONS

PCB thickness: 3.6 mm



CONTACT DETAILS

Sales

sales@corehw.com

Technical support

product.support@corehw.com

CoreHW Oy
Visiokatu 1
33720 Tampere
Finland

www.corehw.com

Disclaimer

The contents of this document are subject to change without prior notice. CoreHW makes no representation or warranty of any nature whatsoever (neither expressed nor implied) with respect to the matters addressed in this document, including but not limited to warranties of merchantability or fitness for a particular purpose, interpretability or interoperability or, against infringement of third party intellectual property rights, and in no event shall CoreHW be liable to any party for any direct, indirect, incidental and or consequential damages and or loss whatsoever (including but not limited to monetary losses or loss of data), that might arise from the use of this document or the information in it.

© Copyright CoreHW. All rights reserved.