

CGRBT301-HF Thru. CGRBT305-HF

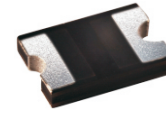
Glass Passivated Type

Reverse Voltage: 200 to 1000 Volts

Forward Current: 3.0 Amp

RoHS Device

Halogen Free

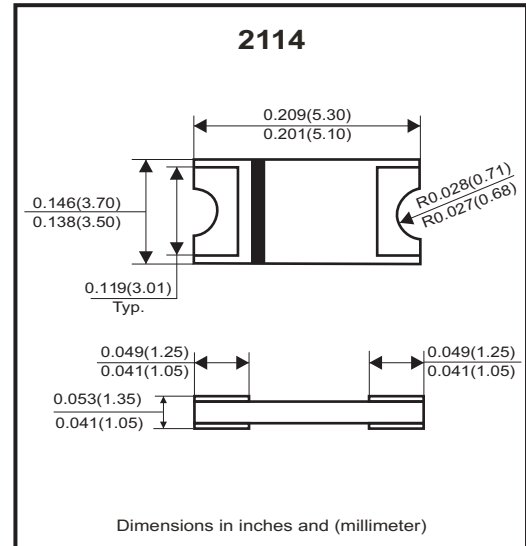


Features

- Glass passivated cavity-free junction.
- Lead less chip form, no lead damage.
- Low forward voltage drop.
- Plastic package has UL 94V-0.

Mechanical data

- Case: Packed with FRP substrate and epoxy underfilled.
- Terminals: Pure Tin plated (Lead-Free), solderable per MIL-STD-750, method 2026.
- Polarity: Cathode Band, Laser marking.
- Weight: 0.04 grams (approx).



Circuit Diagram



Absolute Maximum Ratings (at TA=25°C unless otherwise noted)

Parameter	Symbol	CGRBT 301-HF	CGRBT 302-HF	CGRBT 303-HF	CGRBT 304-HF	CGRBT 305-HF	Units
Max. Repetitive peak reverse voltage	V_{RRM}	200	400	600	800	1000	V
Peak forward surge current, 8.3ms single half sine-wave superimposed on rate load (JEDEC method)	I_{FSM}	95					A
Max. Average forward current	I_o	3.0					A
Operating junction temperature	T_J	-65 to +175					°C
Storage temperature	T_{STG}	-65 to +175					°C

Electrical Characteristics (at TA=25°C unless otherwise noted)

Parameter	Conditions	Symbol	MIN.	TYP.	MAX.	Unit
Forward voltage	$I_F = 3.0A$	V_F	-	0.94	1.00	V
Repetitive peak reverse current	$V_R = \text{Max. } V_{RRM}, T_A = 25^\circ C$	I_{RRM}	-	0.10	5	uA
Junction capacitance	$V_R = 4V, f = 1.0MHz$	C_J	-	23	-	pF
Thermal Resistance	Junction to ambient (Note)	$R_{\theta JA}$	-	74	-	°C/W
	Junction to lead (Note)	$R_{\theta JL}$	-	10	-	

Notes: 1. Thermal resistance from junction to ambient and from junction to lead P.C.B. mounted on 0.2×0.2"(5.0×5.0mm) copper pad areas.

Company reserves the right to improve product design, functions and reliability without notice.

REV:B

RATING AND CHARACTERISTIC CURVES (CGRBT301-HF thru CGRBT305-HF)

FIG.1 - FORWARD CURRENT DERATING CURVE

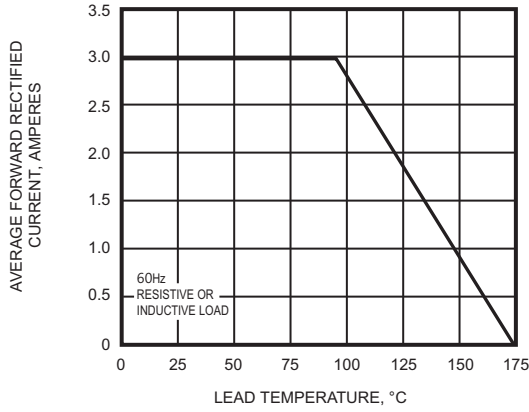


FIG.2 - MAXIMUM NON-REPETITIVE PEAK FORWARD SURGE CURRENT

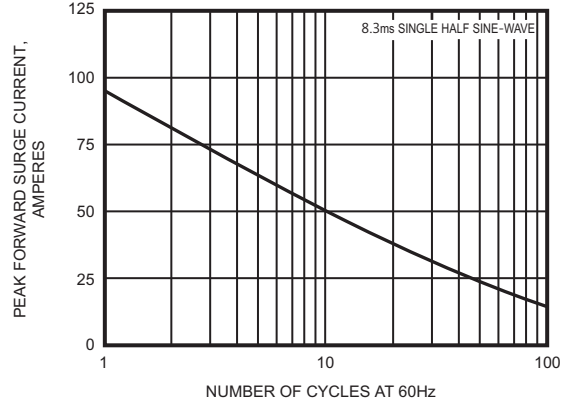


FIG.3 - TYPICAL INSTANTANEOUS FORWARD CHARACTERISTICS

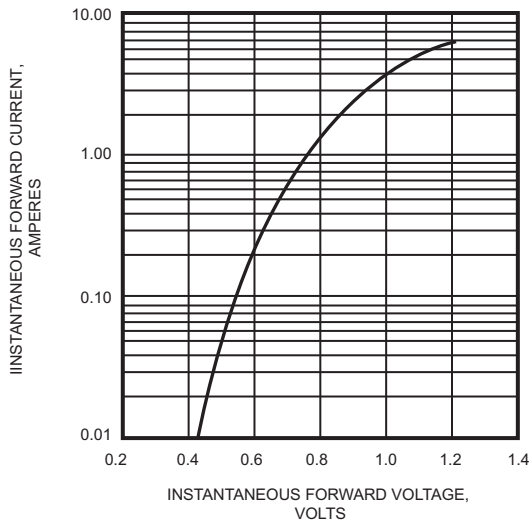


FIG.4 - TYPICAL REVERSE CHARACTERISTICS

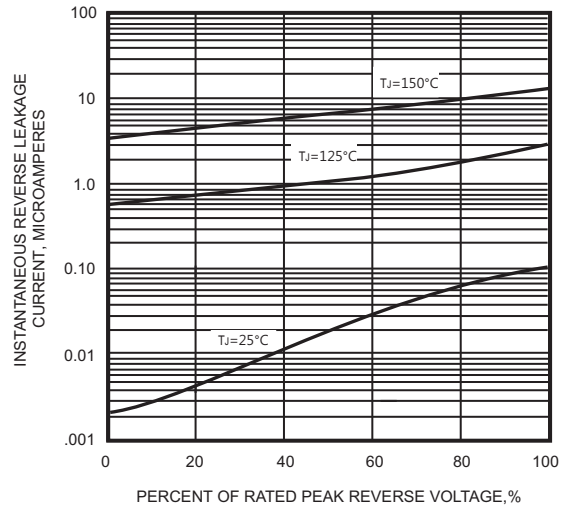
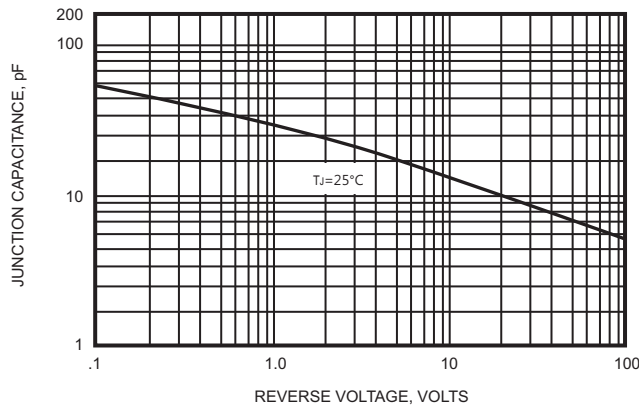
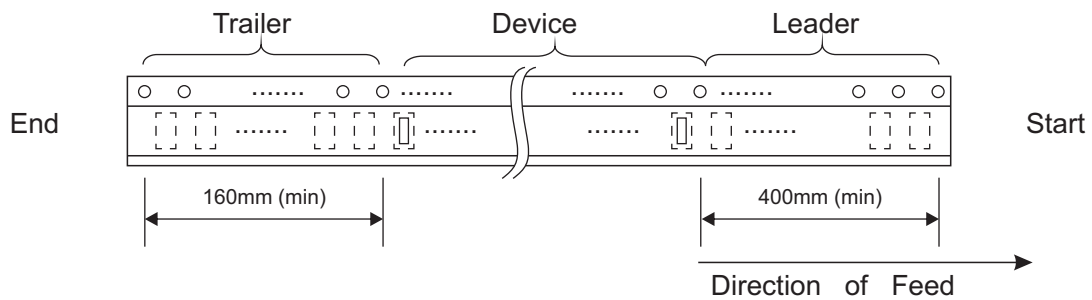
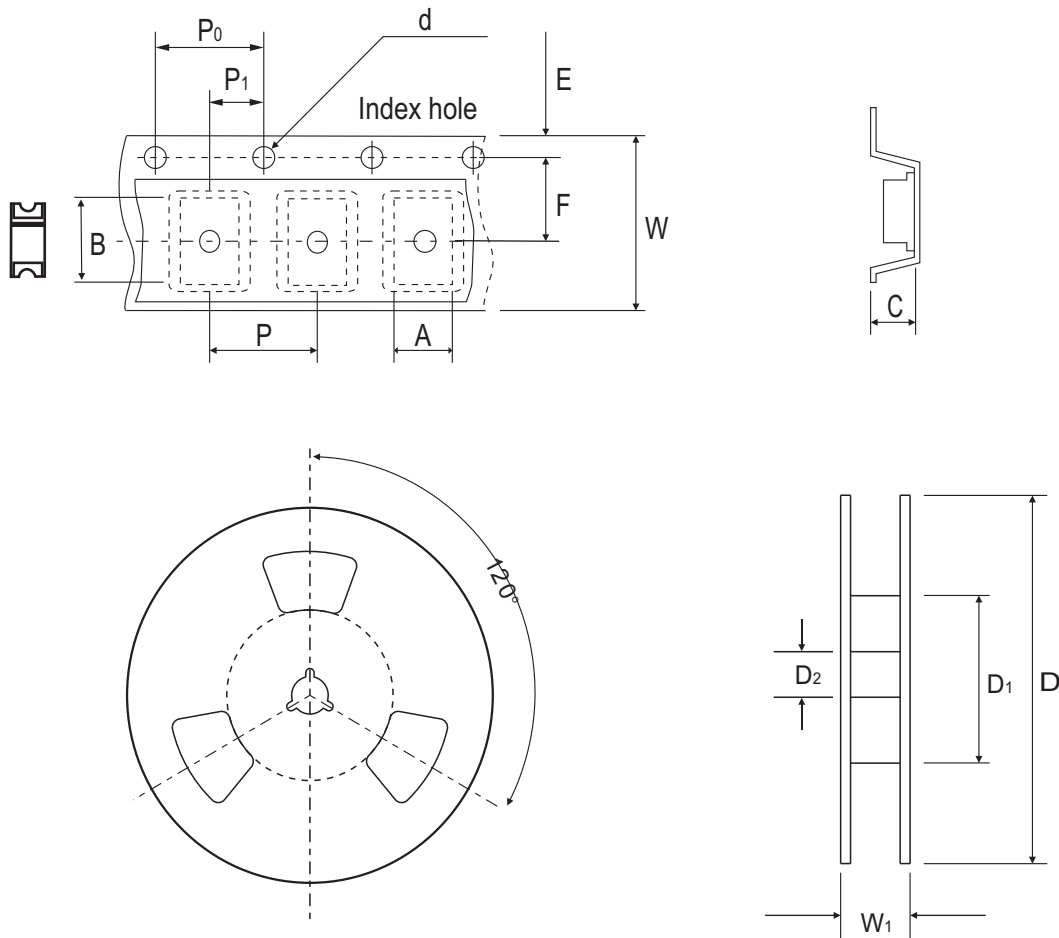


FIG.5 - TYPICAL JUNCTION CAPACITANCE



Reel Taping Specification



2114	SYMBOL	A	B	C	d	D	D ₁	D ₂
	(mm)	3.95 ± 0.10	5.55 ± 0.10	1.45 ± 0.10	1.50 ± 0.10	330.00 ± 2.00	50.00 MIN.	13.00 ± 0.50
	(inch)	0.156 ± 0.004	0.219 ± 0.004	0.057 ± 0.004	0.059 ± 0.004	12.992 ± 0.079	1.969 MIN.	0.512 ± 0.020

2114	SYMBOL	E	F	P	P ₀	P ₁	W	W ₁
	(mm)	1.75 ± 0.10	5.50 ± 0.05	8.00 ± 0.10	4.00 ± 0.10	2.00 ± 0.10	12.00 ± 0.30	18.70 MAX.
	(inch)	0.069 ± 0.004	0.217 ± 0.002	0.315 ± 0.004	0.157 ± 0.004	0.079 ± 0.004	0.472 ± 0.012	0.736 MAX.

Marking Code

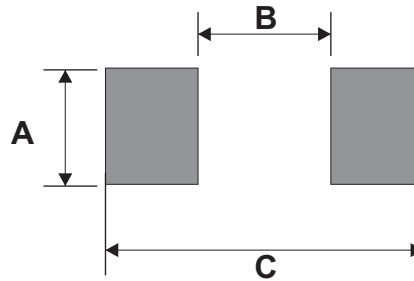
Part Number	Marking Code
CGRBT301-HF	30D
CGRBT302-HF	30G
CGRBT303-HF	30J
CGRBT304-HF	30K
CGRBT305-HF	30M



XXX = Product type marking code

Suggested PAD Layout

SIZE	2114	
	(mm)	(inch)
A	3.00MIN.	0.118MIN.
B	2.65MAX.	0.104MAX.
C	6.65REF.	0.262 REF.



Standard Packaging

Case Type	REEL PACK	
	REEL (pcs)	Reel Size (inch)
2114	5,000	13