



ANATECH ELECTRONICS, INC.

Manufacturer of RF & Microwave Products

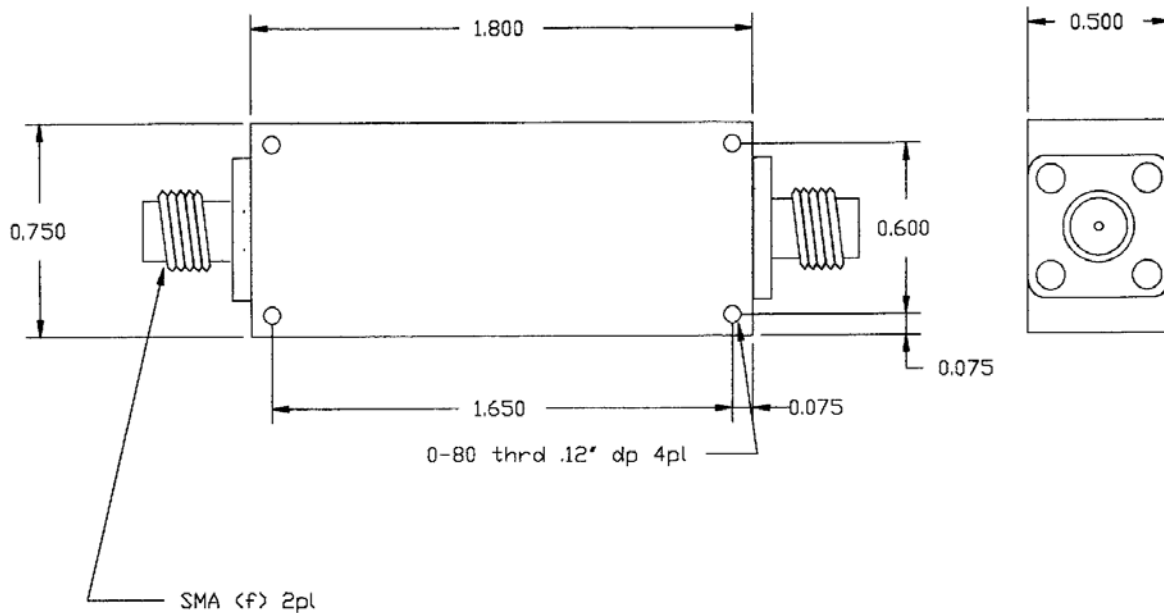


9360 MHz LC Bandpass Filter

Part Number: AE9360B9308

Center Frequency:	9360 MHz
Passband:	9320-9400 MHz
Insertion Loss:	<1 dB
Return loss over Passband:	>14 dB
Rejection:	>20 dB @ 9070 MHz

Outline Drawing:





9360 MHz LC Bandpass Filter

Part Number: AE9360B9308

Response Plot:

