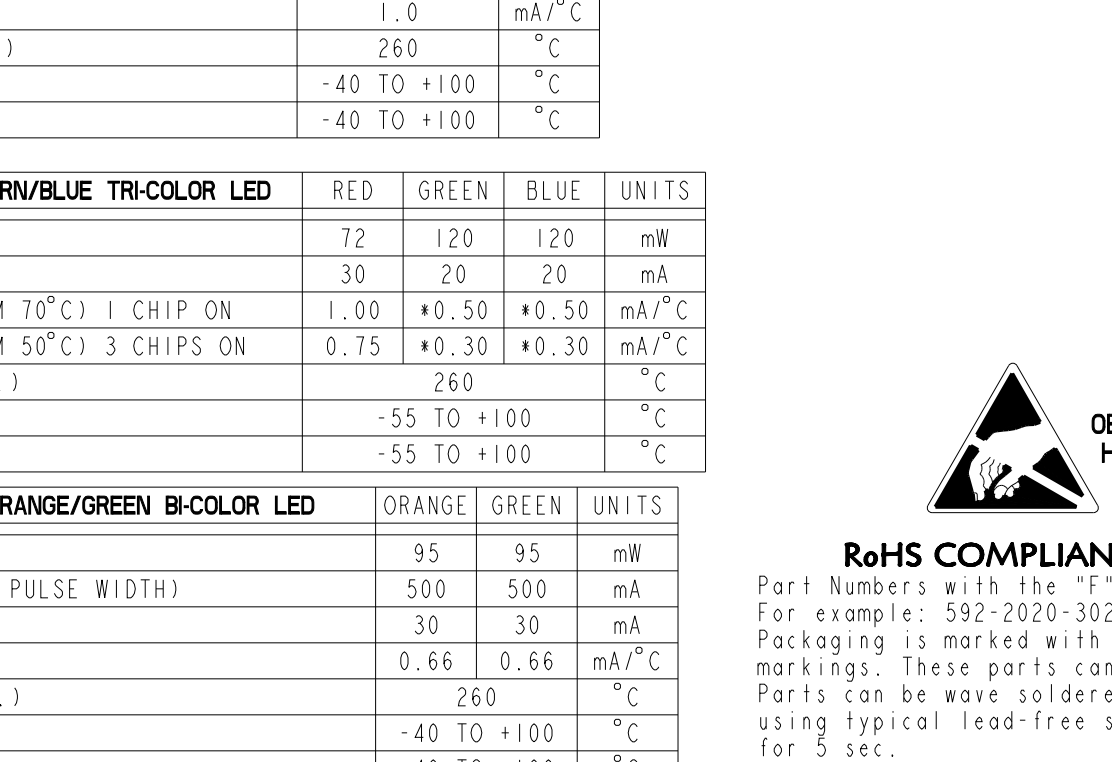
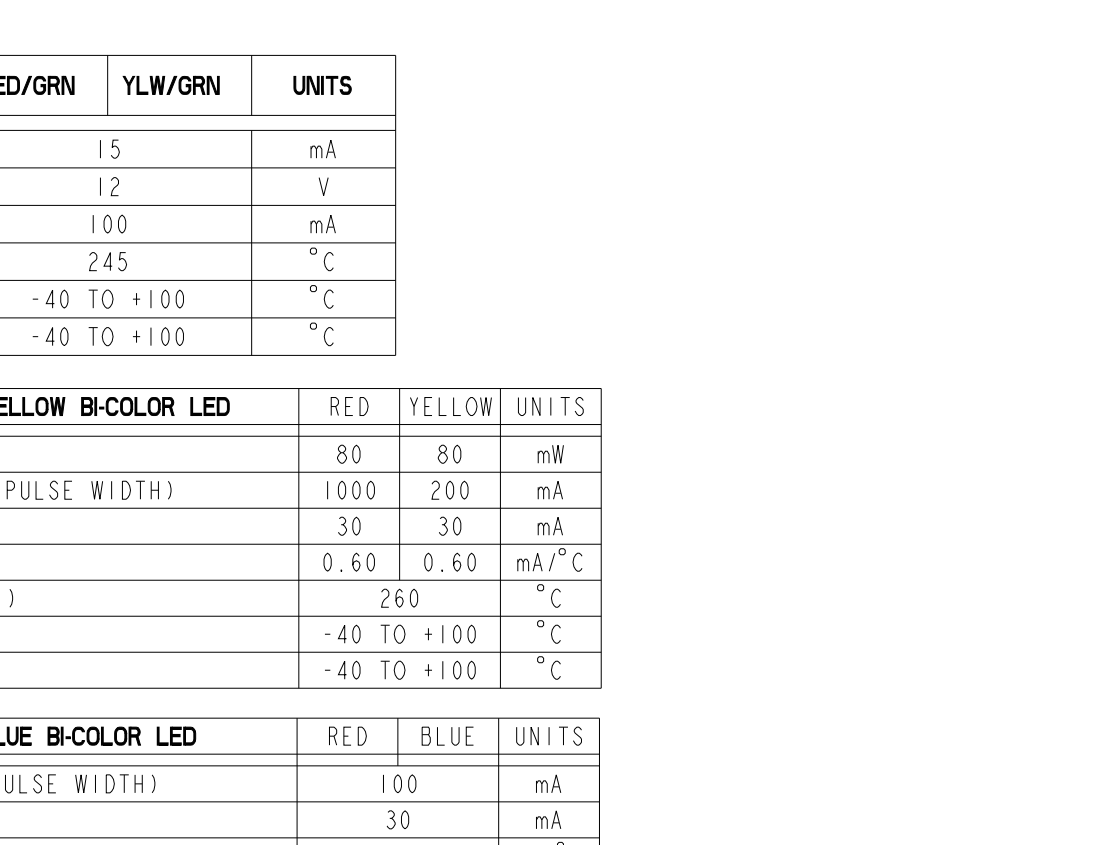
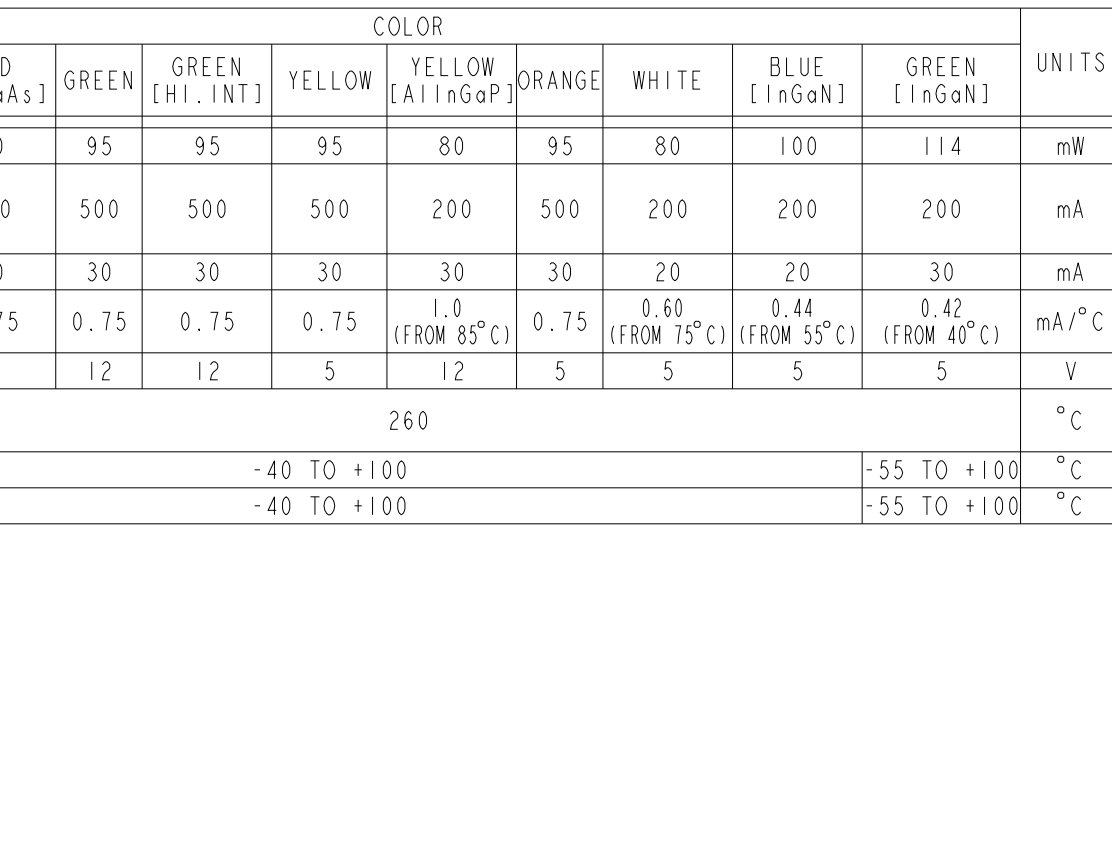
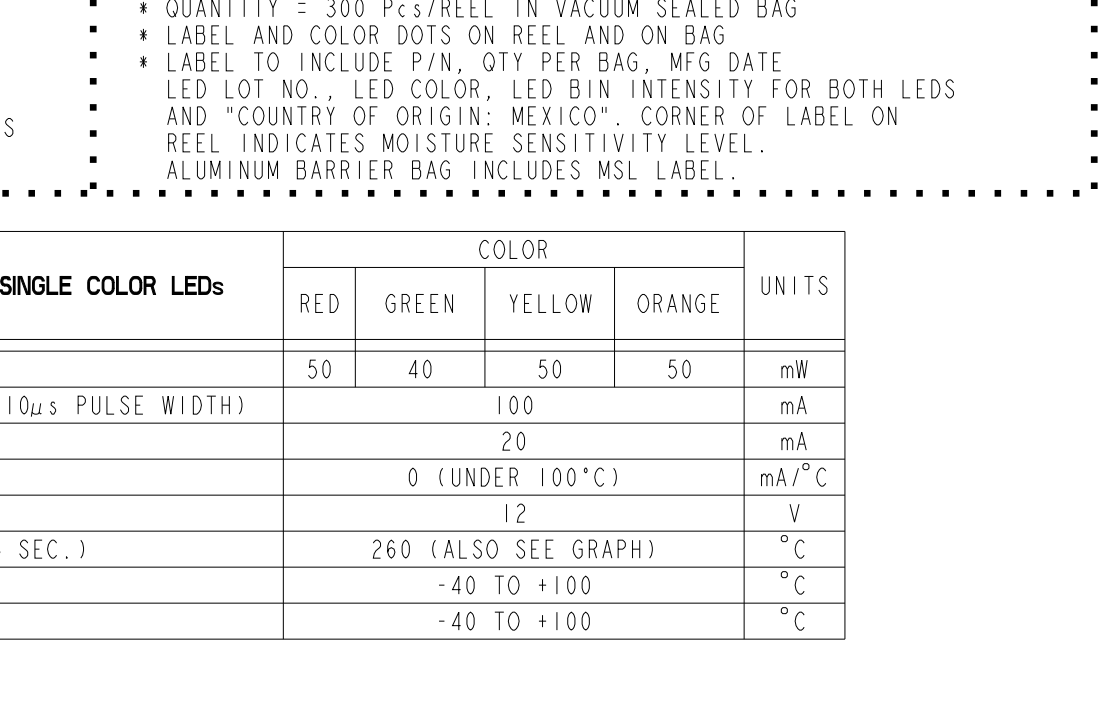
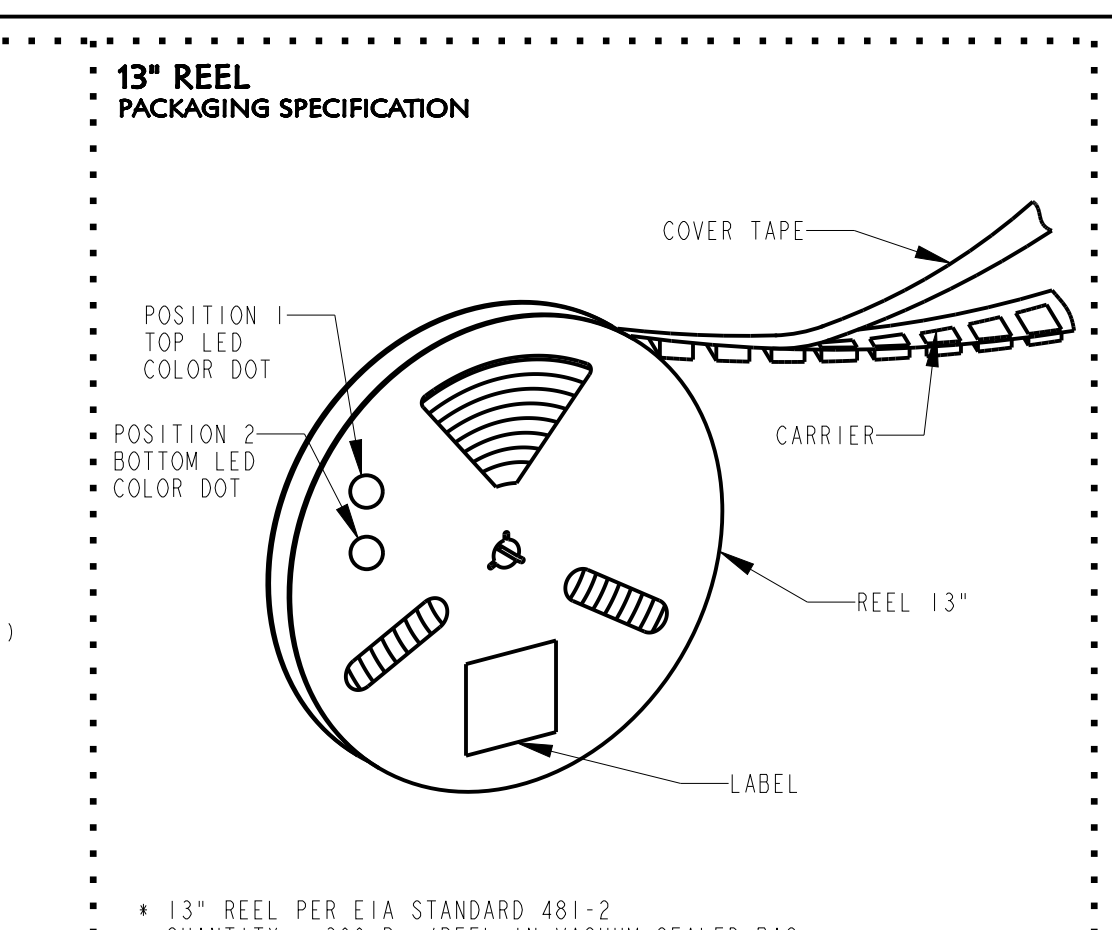
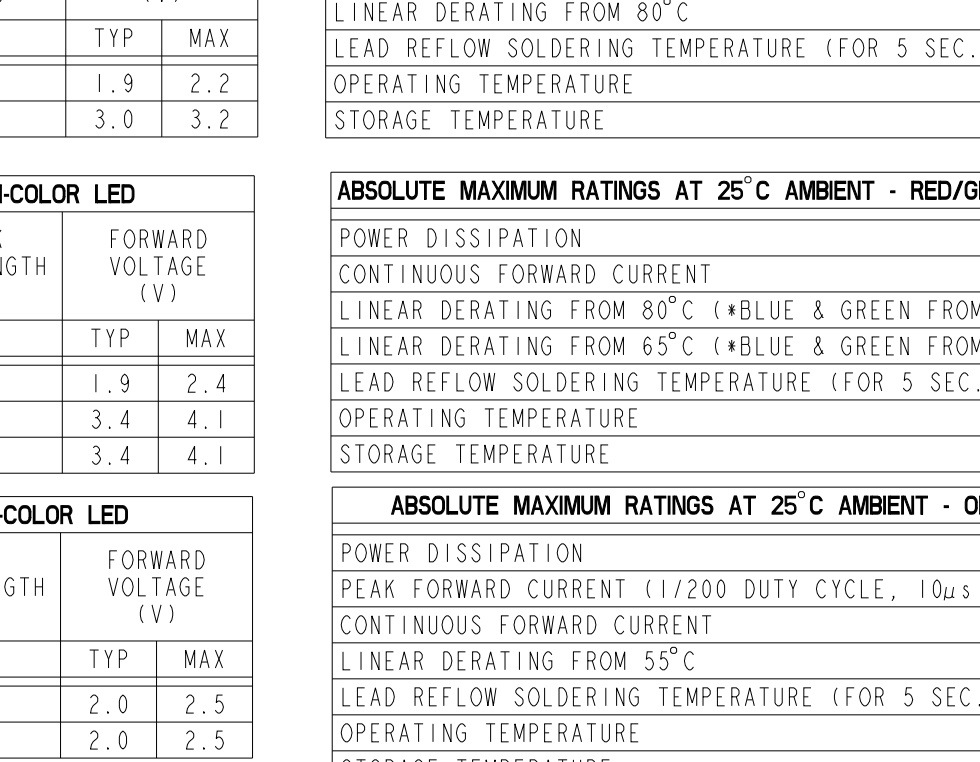
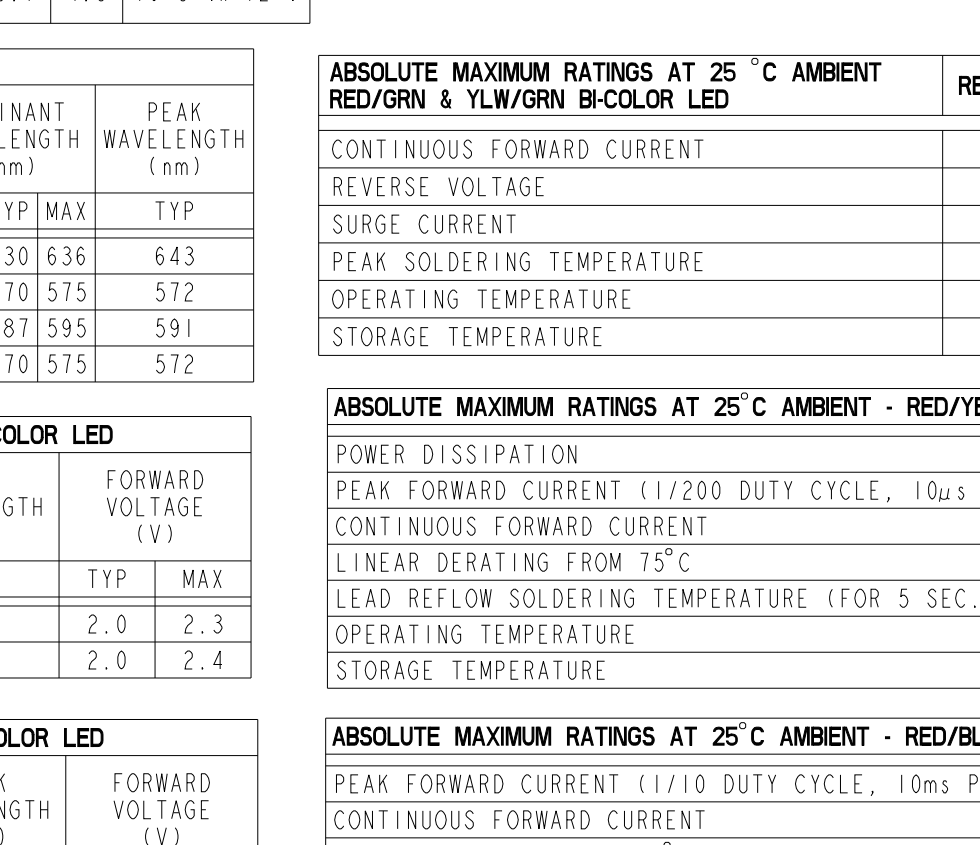
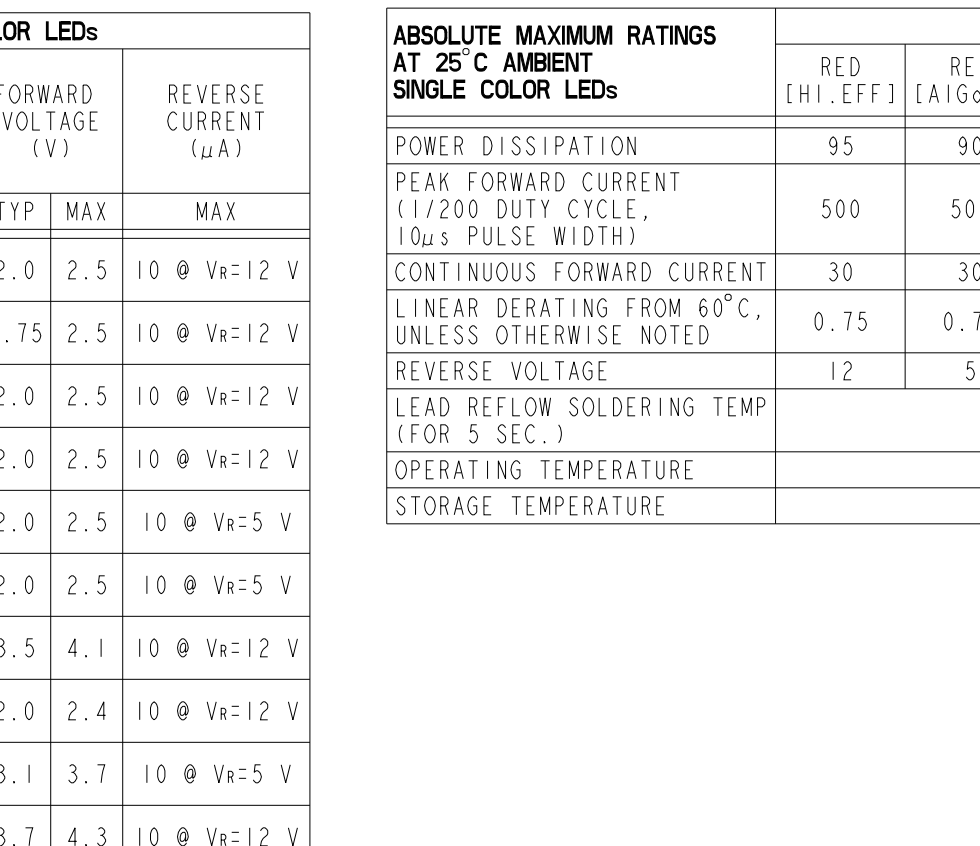
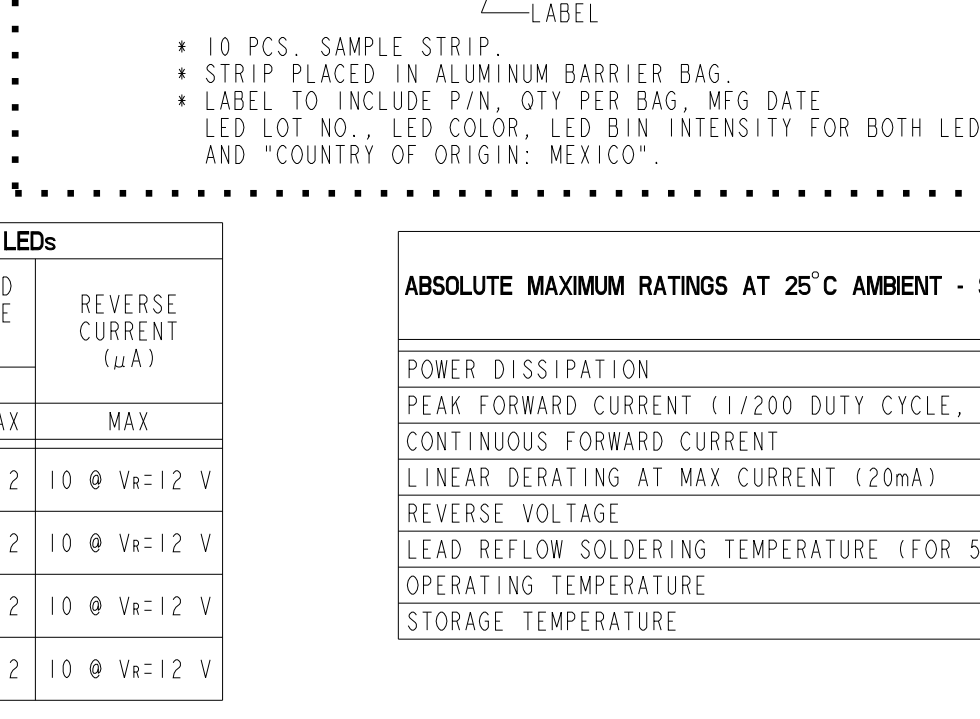
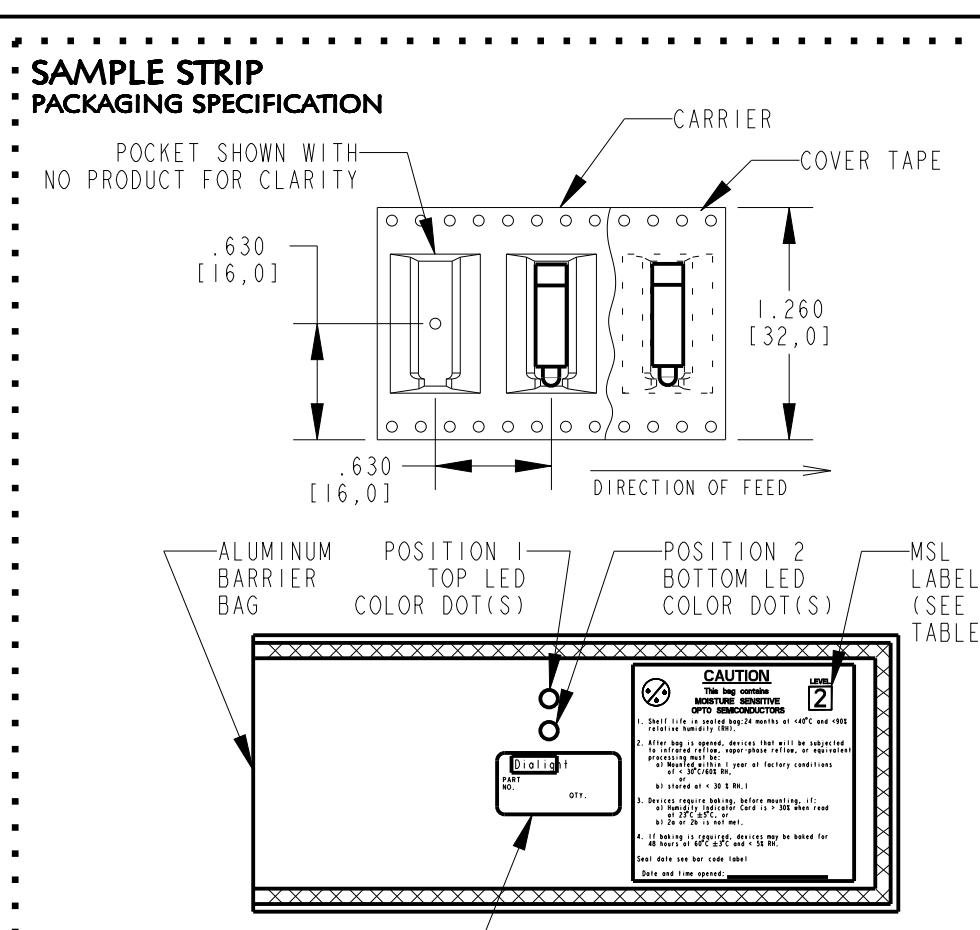
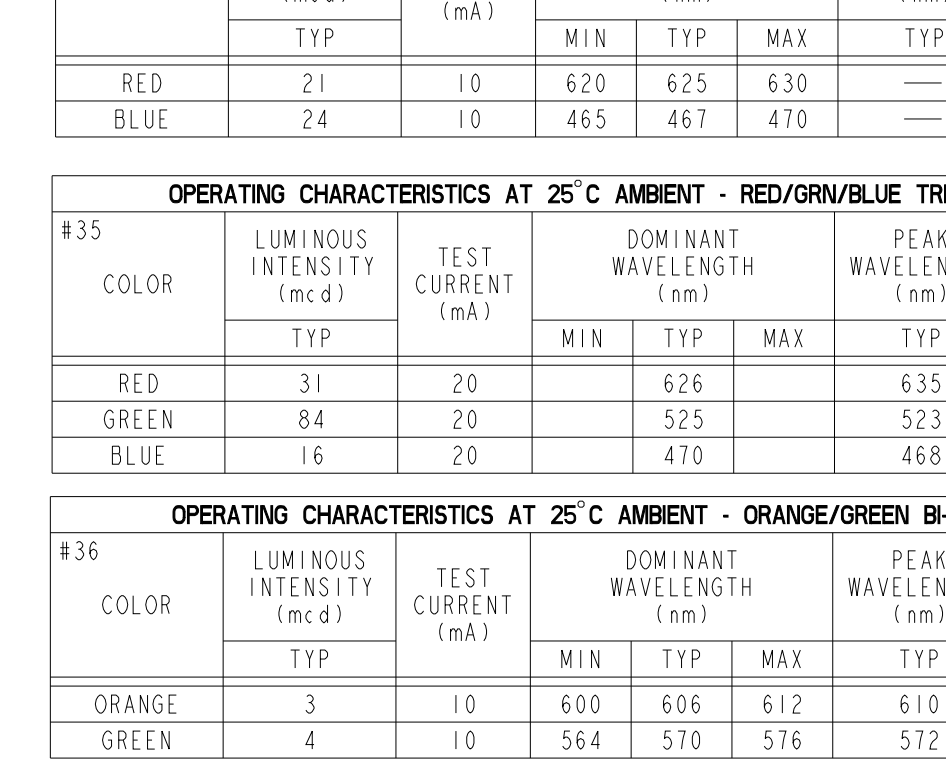
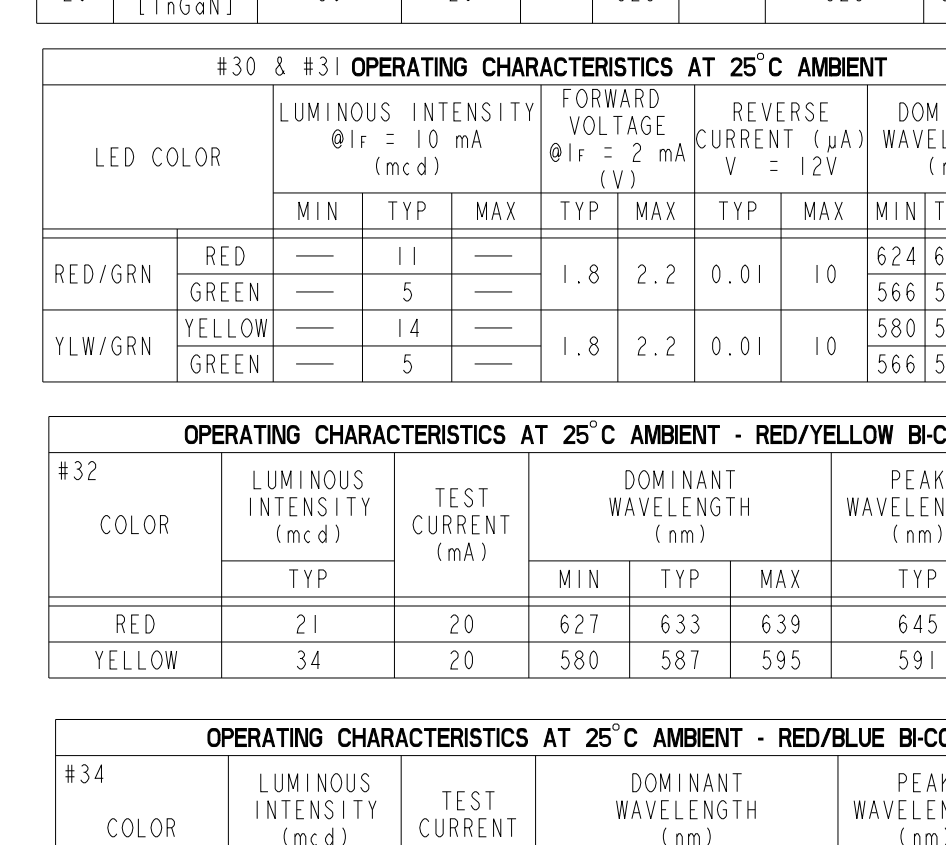
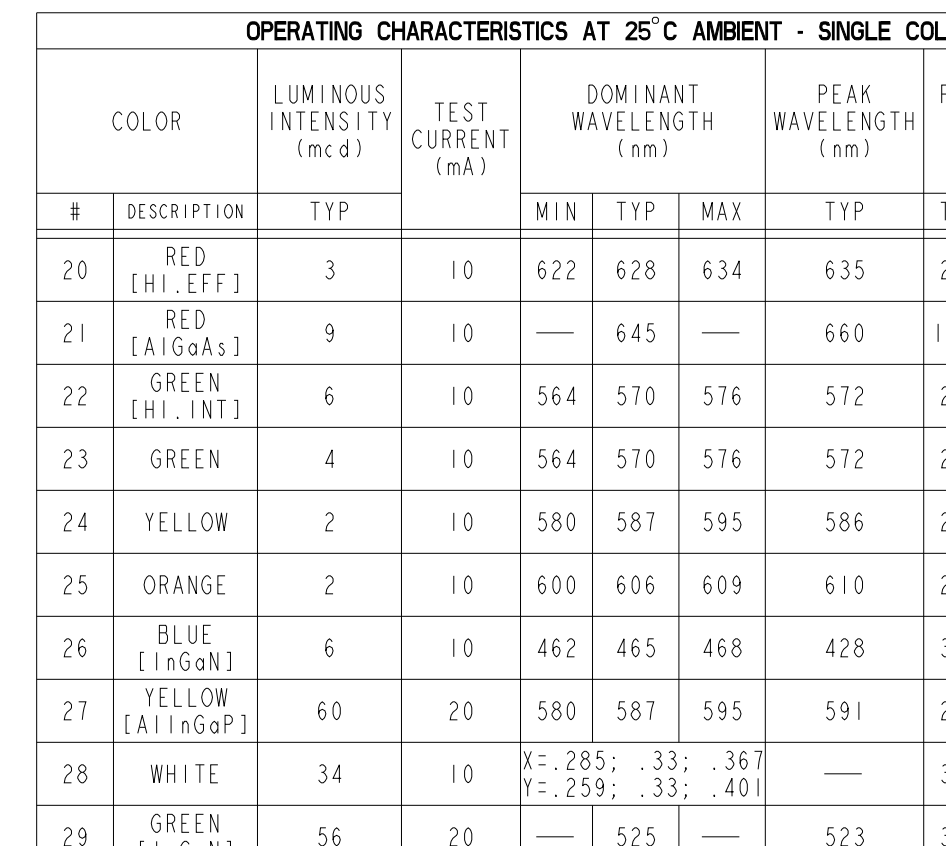
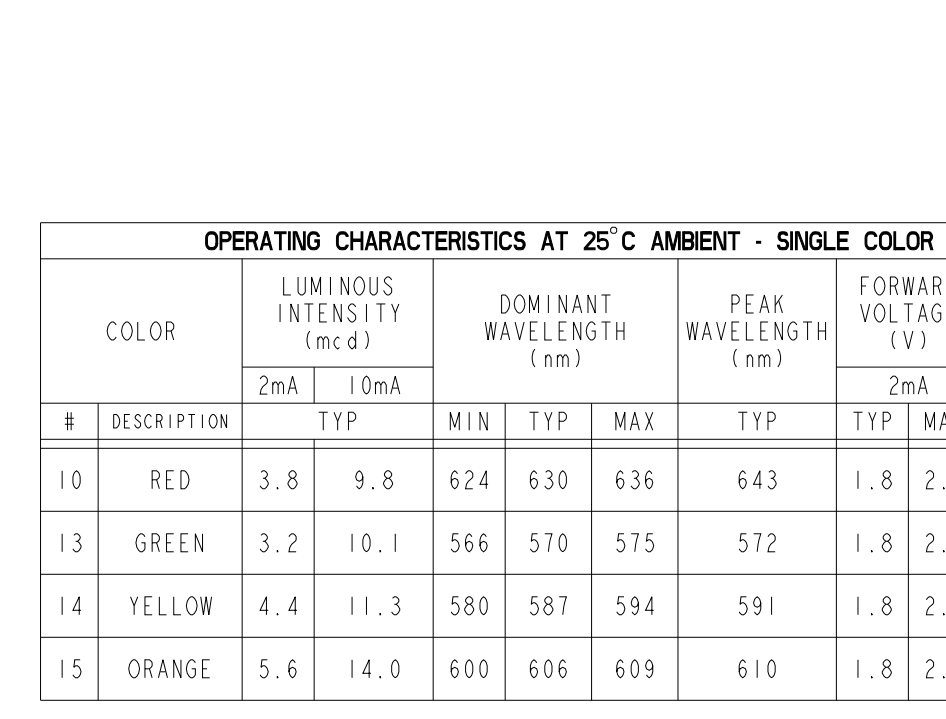
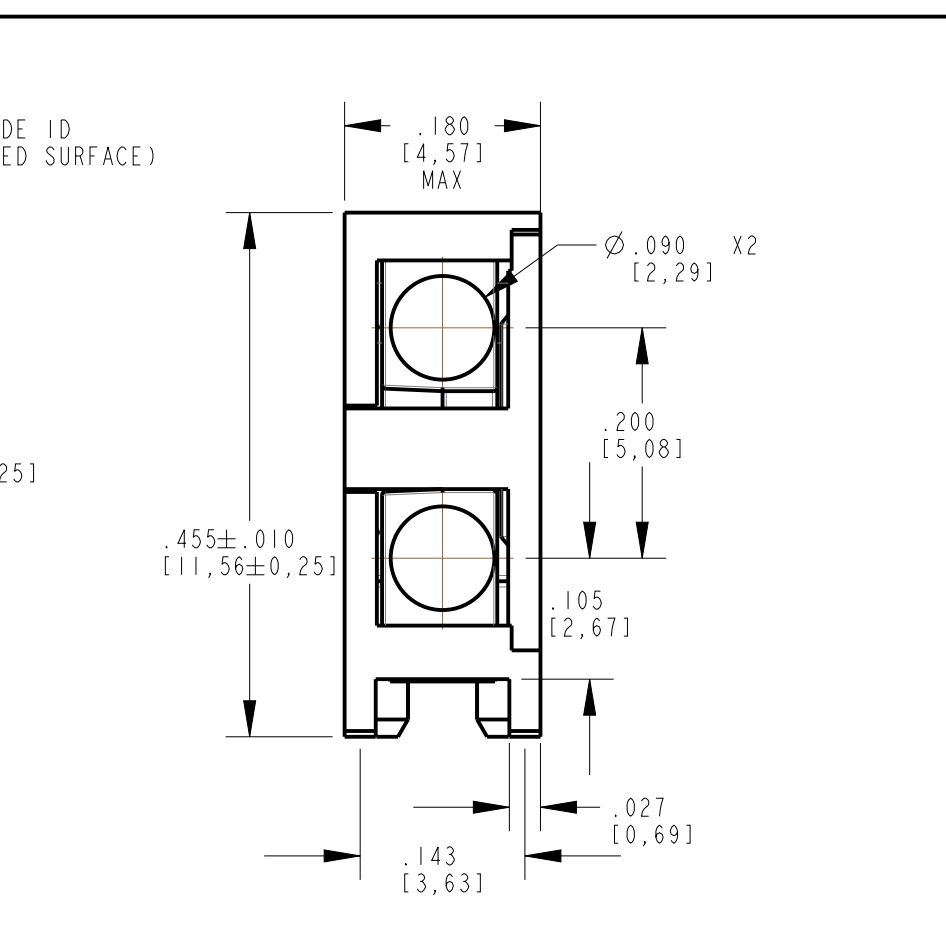
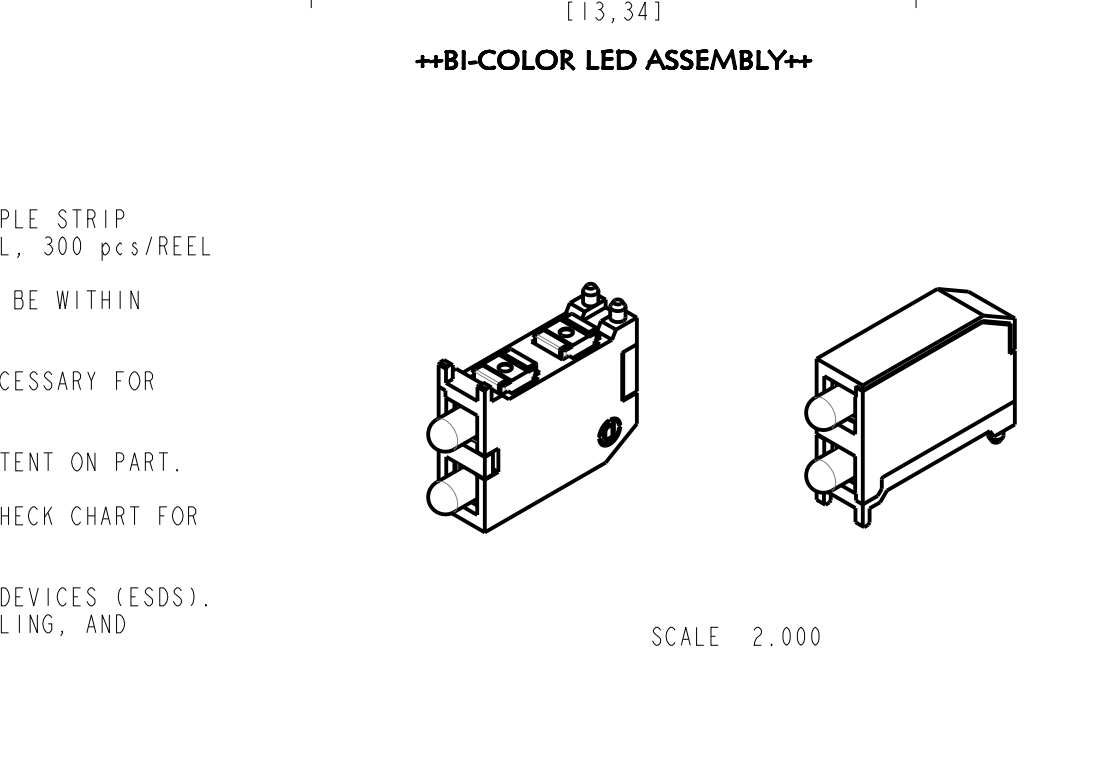
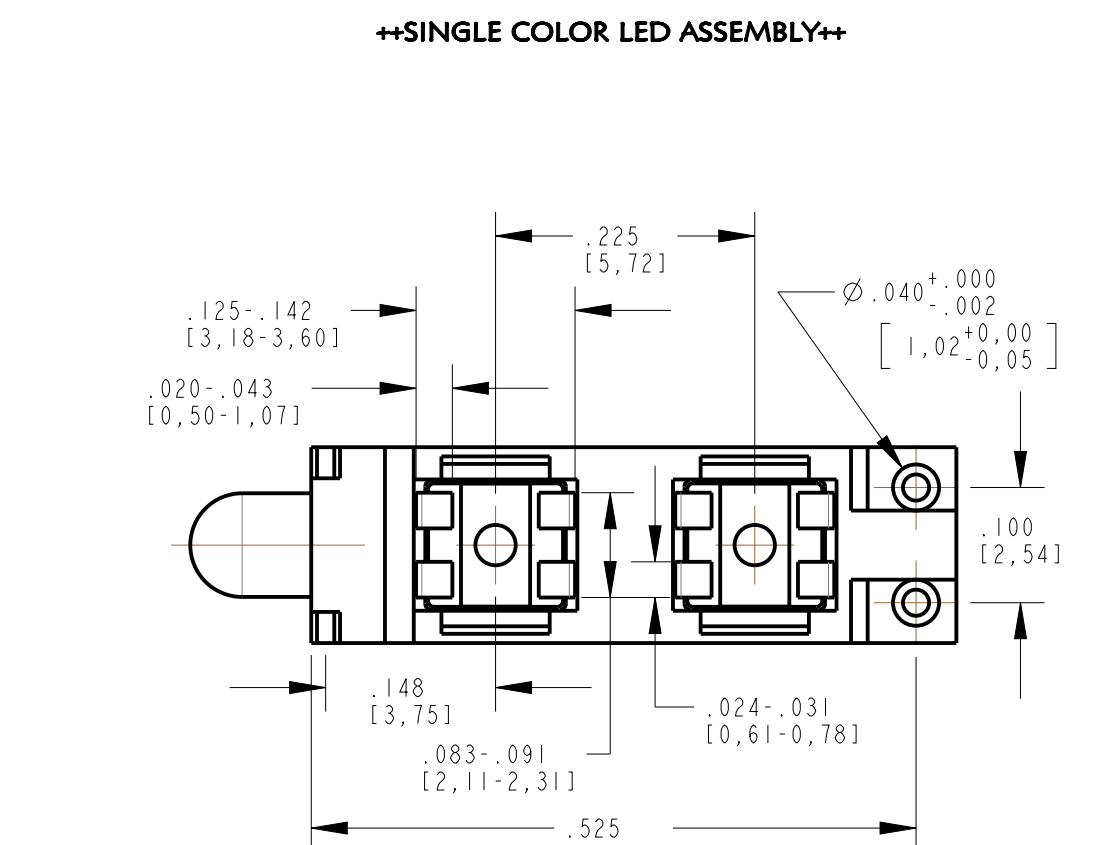
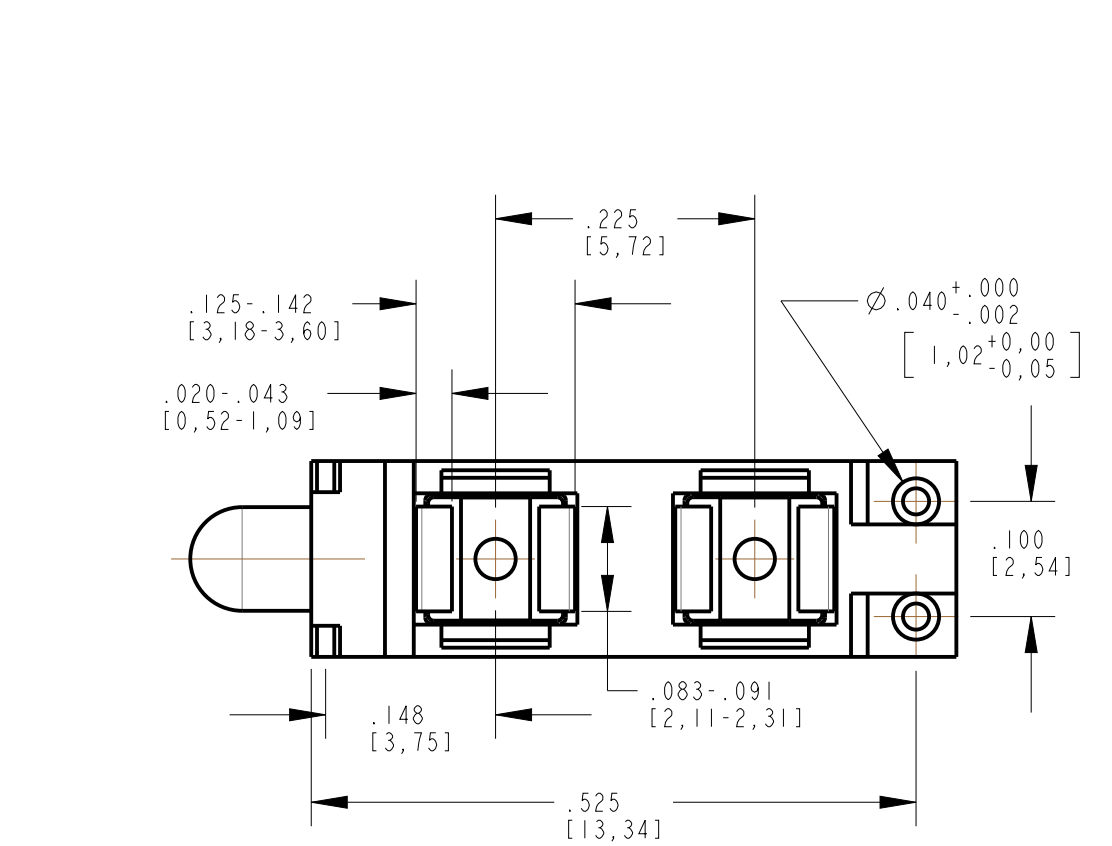
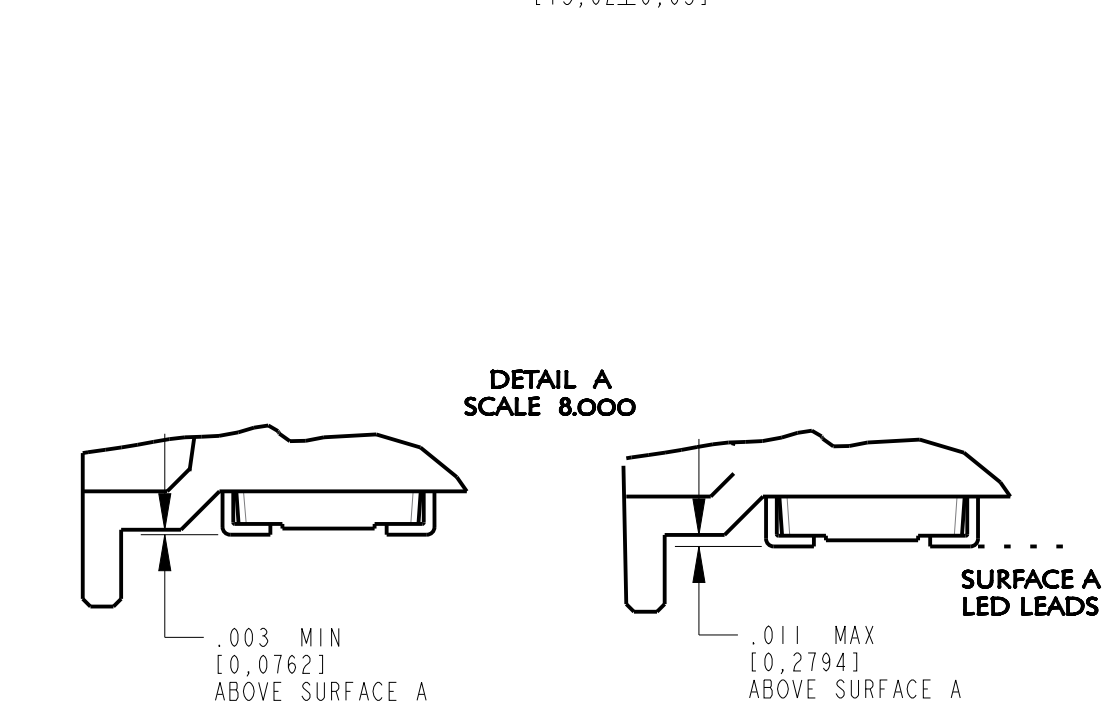
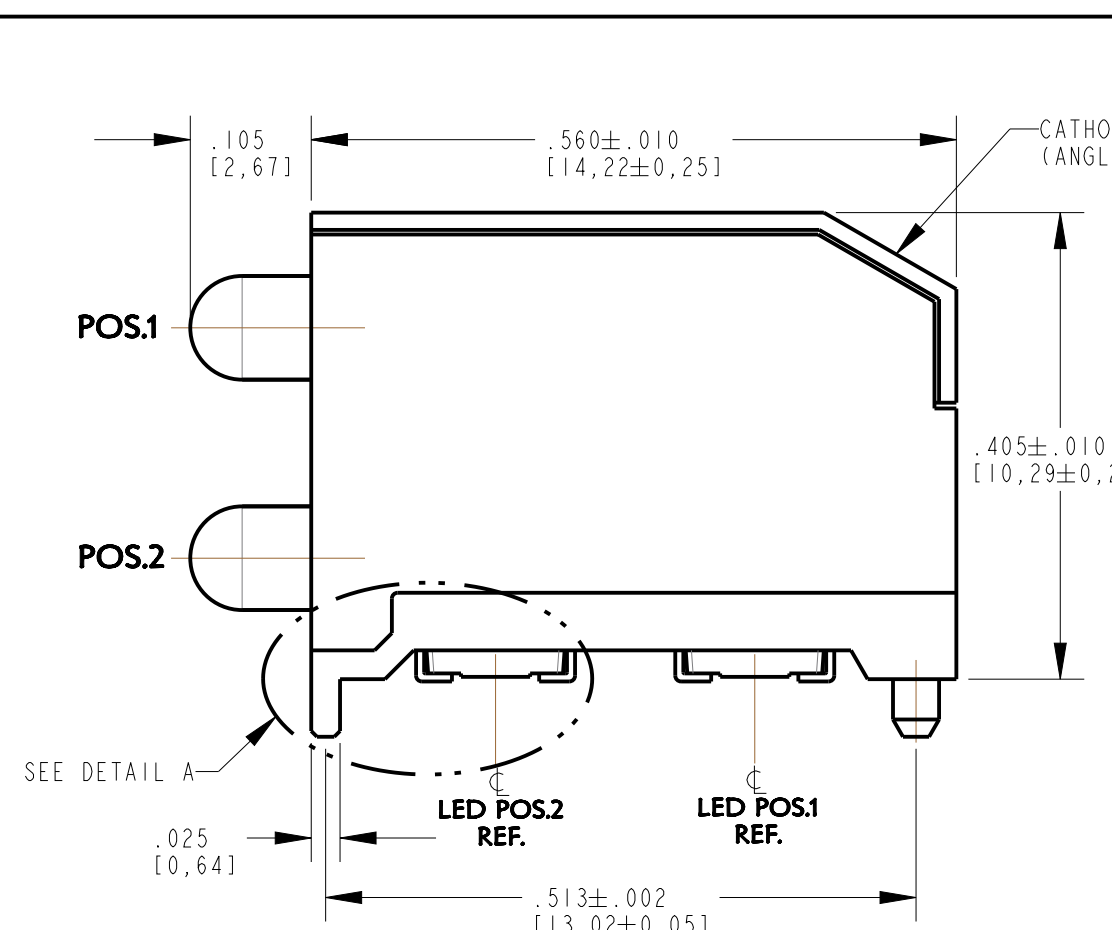


DIALIGHT PART NUMBER	PACKAGING	POSITION 1	POSITION 2	MSL
592-1010-302F	SAMPLE STRIP	RED [2mA]	RED [2mA]	2
592-1010-313F	13" REEL	RED [2mA]	RED [2mA]	2
592-1313-302F	SAMPLE STRIP	GREEN [2mA]	GREEN [2mA]	2
592-1313-313F	13" REEL	GREEN [2mA]	GREEN [2mA]	2
592-1314-302F	SAMPLE STRIP	GREEN [2mA]	YELLOW [2mA]	2
592-1314-313F	13" REEL	GREEN [2mA]	YELLOW [2mA]	2
592-1410-302F	SAMPLE STRIP	YELLOW [2mA]	RED [2mA]	2
592-1410-313F	13" REEL	YELLOW [2mA]	RED [2mA]	2
592-1414-302F	SAMPLE STRIP	YELLOW [2mA]	YELLOW [2mA]	2
592-1414-313F	13" REEL	YELLOW [2mA]	YELLOW [2mA]	2
592-1515-302F	SAMPLE STRIP	ORANGE [2mA]	ORANGE [2mA]	2
592-1515-313F	13" REEL	ORANGE [2mA]	ORANGE [2mA]	2
592-2020-302F	SAMPLE STRIP	RED [HI.EFF.]	RED [HI.EFF.]	2
592-2020-313F	13" REEL	[HI.EFF.]	[HI.EFF.]	2
592-2023-302F	SAMPLE STRIP	RED [HI.EFF.]	GREEN [2mA]	2
592-2023-313F	13" REEL	[HI.EFF.]	GREEN [2mA]	2
592-2121-302F	SAMPLE STRIP	RED [AlGaAs]	RED [AlGaAs]	2
592-2121-313F	13" REEL	[AlGaAs]	[AlGaAs]	2
592-2124-302F	SAMPLE STRIP	RED [AlGaAs]	YELLOW [2mA]	2
592-2124-313F	13" REEL	[AlGaAs]	YELLOW [2mA]	2
592-2126-302F	SAMPLE STRIP	RED [AlGaAs]	BLUE [InGaN]	2
592-2126-313F	13" REEL	[AlGaAs]	BLUE [InGaN]	2
592-2135-302F	SAMPLE STRIP	RED/GRN/BLUE	RED	2a
592-2135-313F	13" REEL	RED/GRN/BLUE	RED	2a
592-2222-302F	SAMPLE STRIP	GREEN [HI.INT.]	GREEN [HI.INT.]	2
592-2222-313F	13" REEL	[HI.INT.]	[HI.INT.]	2
592-2320-302F	SAMPLE STRIP	GREEN [HI.EFF.]	GREEN [2mA]	2
592-2320-313F	13" REEL	[HI.EFF.]	GREEN [2mA]	2
592-2323-302F	SAMPLE STRIP	GREEN [2mA]	GREEN [2mA]	2
592-2323-313F	13" REEL	GREEN [2mA]	GREEN [2mA]	2
592-2324-302F	SAMPLE STRIP	GREEN [2mA]	YELLOW [2mA]	2
592-2324-313F	13" REEL	GREEN [2mA]	YELLOW [2mA]	2
592-2326-302F	SAMPLE STRIP	GREEN [2mA]	BLUE [InGaN]	2
592-2326-313F	13" REEL	GREEN [2mA]	BLUE [InGaN]	2
592-2420-302F	SAMPLE STRIP	YELLOW [HI.EFF.]	RED [HI.EFF.]	2
592-2420-313F	13" REEL	[HI.EFF.]	RED [HI.EFF.]	2
592-2422-302F	SAMPLE STRIP	YELLOW [HI.INT.]	GREEN [HI.INT.]	2
592-2422-313F	13" REEL	[HI.INT.]	GREEN [HI.INT.]	2
592-2423-302F	SAMPLE STRIP	YELLOW [2mA]	GREEN [2mA]	2
592-2423-313F	13" REEL	[2mA]	GREEN [2mA]	2
592-2424-302F	SAMPLE STRIP	YELLOW [2mA]	YELLOW [2mA]	2
592-2424-313F	13" REEL	[2mA]	YELLOW [2mA]	2
592-2429-302F	SAMPLE STRIP	YELLOW [InGaN]	GREEN [InGaN]	2
592-2429-313F	13" REEL	[InGaN]	GREEN [InGaN]	2
592-2436-302F	SAMPLE STRIP	YELLOW [InGaN]	ORANGE/GREEN [2mA]	2
592-2436-313F	13" REEL	[InGaN]	ORANGE/GREEN [2mA]	2
592-2525-302F	SAMPLE STRIP	ORANGE [2mA]	ORANGE [2mA]	2
592-2525-313F	13" REEL	ORANGE [2mA]	ORANGE [2mA]	2
592-2626-302F	SAMPLE STRIP	BLUE [InGaN]	BLUE [InGaN]	2
592-2626-313F	13" REEL	[InGaN]	[InGaN]	2
592-2627-302F	SAMPLE STRIP	BLUE [InGaN]	YELLOW [2mA]	2
592-2627-313F	13" REEL	[InGaN]	YELLOW [2mA]	2
592-2628-302F	SAMPLE STRIP	BLUE [InGaN]	WHITE [2mA]	2
592-2628-313F	13" REEL	[InGaN]	WHITE [2mA]	2
592-2631-302F	SAMPLE STRIP	BLUE [InGaN]	YELLOW/GREEN [2mA]	2
592-2631-313F	13" REEL	[InGaN]	YELLOW/GREEN [2mA]	2
592-2727-302F	SAMPLE STRIP	YELLOW [AlInGaP]	YELLOW [AlInGaP]	2
592-2727-313F	13" REEL	[AlInGaP]	[AlInGaP]	2
592-2729-302F	SAMPLE STRIP	YELLOW [AlInGaP]	GREEN [InGaN]	2a
592-2729-313F	13" REEL	[AlInGaP]	GREEN [InGaN]	2a
592-2826-302F	SAMPLE STRIP	WHITE [InGaN]	WHITE [2mA]	2
592-2826-313F	13" REEL	[InGaN]	WHITE [2mA]	2
592-2828-302F	SAMPLE STRIP	TRUE GREEN [InGaN]	BLUE [InGaN]	2a
592-2828-313F	13" REEL	[InGaN]	BLUE [InGaN]	2a
592-2927-302F	SAMPLE STRIP	GREEN [InGaN]	YELLOW [AlInGaP]	2a
592-2927-313F	13" REEL	[InGaN]	YELLOW [AlInGaP]	2a
592-3024-302F	SAMPLE STRIP	RED/GREEN [2mA]	YELLOW [2mA]	2
592-3024-313F	13" REEL	RED/GREEN [2mA]	YELLOW [2mA]	2
592-2929-302F	SAMPLE STRIP	GREEN [InGaN]	GREEN [InGaN]	2a
592-2929-313F	13" REEL	[InGaN]	GREEN [InGaN]	2a
592-3030-302F	SAMPLE STRIP	RED/GREEN [2mA]	RED/GREEN [2mA]	2
592-3030-313F	13" REEL	RED/GREEN [2mA]	RED/GREEN [2mA]	2
592-3031-302F	SAMPLE STRIP	RED/GREEN [2mA]	YELLOW/GREEN [2mA]	2
592-3031-313F	13" REEL	RED/GREEN [2mA]	YELLOW/GREEN [2mA]	2
592-3032-302F	SAMPLE STRIP	RED/GREEN [2mA]	RED/YELLOW [2mA]	2
592-3032-313F	13" REEL	RED/GREEN [2mA]	RED/YELLOW [2mA]	2
592-3034-302F	SAMPLE STRIP	RED/GREEN [2mA]	RED/BLUE [2mA]	2a
592-3034-313F	13" REEL	RED/GREEN [2mA]	RED/BLUE [2mA]	2a
592-3036-302F	SAMPLE STRIP	RED/GREEN [2mA]	ORANGE/GREEN [2mA]	3
592-3036-313F	13" REEL	RED/GREEN [2mA]	ORANGE/GREEN [2mA]	3
592-3126-302F	SAMPLE STRIP	YELLOW/GREEN [2mA]	BLUE [InGaN]	2
592-3126-313F	13" REEL	YELLOW/GREEN [2mA]	BLUE [InGaN]	2
592-3131-302F	SAMPLE STRIP	YELLOW/GREEN [2mA]	YELLOW/GREEN [2mA]	2
592-3131-313F	13" REEL	YELLOW/GREEN [2mA]	YELLOW/GREEN [2mA]	2
592-3232-302F	SAMPLE STRIP	RED/YELLOW [2mA]	RED/YELLOW [2mA]	2
592-3232-313F	13" REEL	RED/YELLOW [2mA]	RED/YELLOW [2mA]	2
592-3236-302F	SAMPLE STRIP	RED/YELLOW [2mA]	ORANGE/GREEN [2mA]	2
592-3236-313F	13" REEL	RED/YELLOW [2mA]	ORANGE/GREEN [2mA]	2
592-3520-302F	SAMPLE STRIP	RED/GRN/BLUE	RED	2a
592-3520-313F	13" REEL	RED/GRN/BLUE	RED	2a
592-3528-302F	SAMPLE STRIP	RED/GRN/BLUE	WHITE	2a
592-3528-313F	13" REEL	RED/GRN/BLUE	WHITE	2a
592-3530-302F	SAMPLE STRIP	RED/GRN/BLUE	RED/GREEN [2mA]	2a
592-3530-313F	13" REEL	RED/GRN/BLUE	RED/GREEN [2mA]	2a
592-3531-302F	SAMPLE STRIP	RED/GRN/BLUE	YELLOW/GREEN [2mA]	2a
592-3531-313F	13" REEL	RED/GRN/BLUE	YELLOW/GREEN [2mA]	2a
592-3535-302F	SAMPLE STRIP	RED/GRN/BLUE	RED/GRN/BLUE	2a
592-3535-313F	13" REEL	RED/GRN/BLUE	RED/GRN/BLUE	2a



COLOR	LUMINOUS INTENSITY (mcd)		DOMINANT WAVELENGTH (nm)			PEAK WAVELENGTH (nm)		FORWARD VOLTAGE (V)		REVERSE CURRENT (µA)	
	2mA	10mA	MIN	TYP	MAX	TYP	TYP	MAX	2mA	10mA	MAX
10	RED	3.8	9.8	624	630	636	643	1.8	2.2	10 @ V _F =12 V	
13	GREEN	3.2	10.1	566	570	575	572	1.8	2.2	10 @ V _F =12 V	
14	YELLOW	4.4	11.3	580	587	594	591	1.8	2.2	10 @ V _F =12 V	
15	ORANGE	5.6	14.0	600	606	609	610	1.8	2.2	10 @ V _F =12 V	

COLOR	LUMINOUS INTENSITY (mcd)	TEST CURRENT (mA)	DOMINANT WAVELENGTH (nm)			PEAK WAVELENGTH (nm)		FORWARD VOLTAGE (V)		REVERSE CURRENT (µA)	
			MIN	TYP	MAX	TYP	TYP	MAX	TYP	MAX	
20	RED [HI.EFF.]	3	10	622	628	634	635	2.0	2.5	10 @ V _F =12 V	
21	RED [AlGaAs]	9	10	—	645	—	660	1.75	2.5	10 @ V _F =12 V	
22	GREEN [HI.INT.]	6	10	564	570	576	572	2.0	2.5	10 @ V _F =12 V	
23	GREEN	4	10	564	570	576	572	2.0	2.5	10 @ V _F =12 V	
24	YELLOW	2	10	580	587	595	586	2.0	2.5	10 @ V _F =5 V	
25	ORANGE	2	10	600	606	609	610	2.0	2.5	10 @ V _F =5 V	
26	BLUE [InGaN]	6	10	462	465	468	428	3.5	4.1	10 @ V _F =12 V	
27	YELLOW [AlInGaP]	60	20	580	587	595	591	2.0	2.4	10 @ V _F =12 V	
28	WHITE	34	10	X: 285; Y: 259; Z: 33; .401	—	—	—	3.1	3.7	10 @ V _F =5 V	
29	GREEN [InGaN]	56	20	—	525	—	523	3.7	4.3	10 @ V _F =12 V	

LED COLOR	LUMINOUS INTENSITY (mcd)	FORWARD VOLTAGE (V)	REVERSE CURRENT (µA)	DOMINANT WAVELENGTH (nm)	PEAK WAVELENGTH (nm)						
						MIN	TYP	MAX	TYP	MAX	
RED/GRN	RED	11	—	1.8	2.2	0.01	10	624	630	636	643
RED/GRN	YELLOW	5	—	—	—	—	—	566	570	575	572
YLV/GRN	YELLOW	14	—	1.8	2.2	0.01	10	580	587	595	591
YLV/GRN	GREEN	5	—	—	—	—	—	566	570	575	572

COLOR	LUMINOUS INTENSITY (mcd)	TEST CURRENT (mA)	DOMINANT WAVELENGTH (nm)			PEAK WAVELENGTH (nm)		FORWARD VOLTAGE (V)	
			MIN	TYP	MAX	TYP	TYP	MAX	
RED	21	20	627	633	639	645	2.0	2.3	
YELLOW	34	20	580	587	595	591	2.0	2.4	

COLOR	LUMINOUS INTENSITY (mcd)	TEST CURRENT (mA)	DOMINANT WAVELENGTH (nm)			PEAK WAVELENGTH (nm)		FORWARD VOLTAGE (V)	
			MIN	TYP	MAX	TYP	TYP	MAX	
RED	21	10	620	625	630	—	1.9	2.2	
BLUE	24	10	465	467	470	—	3.0	3.2	

COLOR	LUMINOUS INTENSITY (mcd)	TEST CURRENT (mA)	DOMINANT WAVELENGTH (nm)			PEAK WAVELENGTH (nm)		FORWARD VOLTAGE (V)	
			MIN	TYP	MAX	TYP	TYP	MAX	
RED	31	20	—	626	—	635	1.9	2.4	
GREEN	84	20	520	525	523	3.4	4.1		
BLUE	16	20	470	468	468	3.4	4.1		

COLOR	LUMINOUS INTENSITY (mcd)	TEST CURRENT (mA)	DOMINANT WAVELENGTH (nm)			PEAK WAVELENGTH (nm)		FORWARD VOLTAGE (V)	
			MIN	TYP	MAX	TYP	TYP	MAX	
ORANGE	3	10	600	606	612	610	2.0	2.5	
GREEN	4	10	564	570	576	572	2.0	2.5	

PARAMETER	COLOR				UNITS
	RED	GREEN	YELLOW	ORANGE	
POWER DISSIPATION	50	40	50	50	mW
PEAK FORWARD CURRENT (1/200 DUTY CYCLE, 10µs PULSE WIDTH)	100				mA
CONTINUOUS FORWARD CURRENT	20				mA
LINEAR DERATING AT MAX CURRENT (20mA)	0 (UNDER 100°C)				mA/°C
REVERSE VOLTAGE	12				V
LEAD REFLOW SOLDERING TEMPERATURE (FOR 5 SEC.)	260 (ALSO SEE GRAPH)				°C
OPERATING TEMPERATURE	-40 TO +100				°C
STORAGE TEMPERATURE	-40 TO +100				°C

PARAMETER	COLOR										UNITS
	RED [HI.EFF.]	RED [AlGaAs]	GREEN	GREEN [HI.INT.]	YELLOW [AlInGaP]	ORANGE	WHITE	BLUE [InGaN]	GREEN [InGaN]		
POWER DISSIPATION	95	90	95	95	95	80	95	80	100	114	mW
PEAK FORWARD CURRENT (1/200 DUTY CYCLE, 10µs PULSE WIDTH)	500	500	500	500	500	200	500	200	200	200	mA
CONTINUOUS FORWARD CURRENT	30	30	30	30	30	30	20	20	30	30	mA
LINEAR DERATING FROM 60°C, UNLESS OTHERWISE NOTED	0.75	0.75	0.75	0.75	0.75	1.0 (FROM 85°C)	0.75	0.60 (FROM 75°C)	0.44 (FROM 55°C)	0.42 (FROM 40°C)	mA/°C
REVERSE VOLTAGE	12	5									