

THIS DRAWING IS UNPUBLISHED.

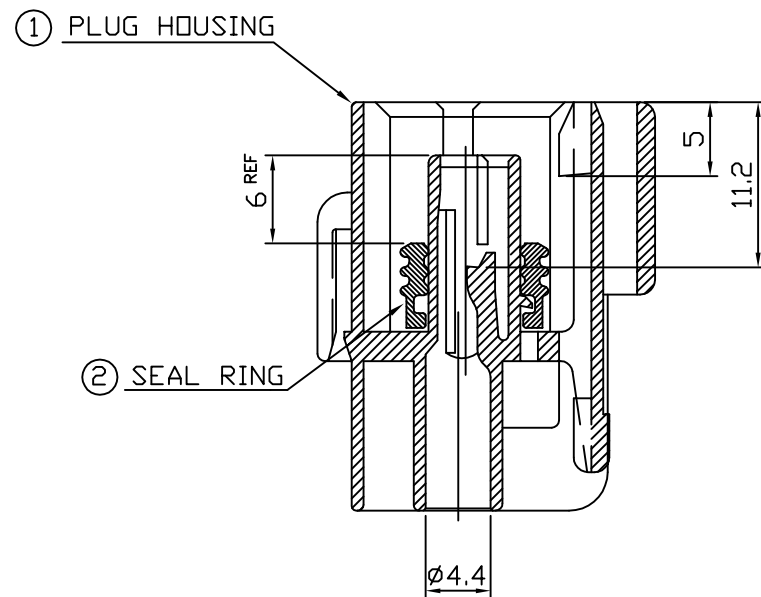
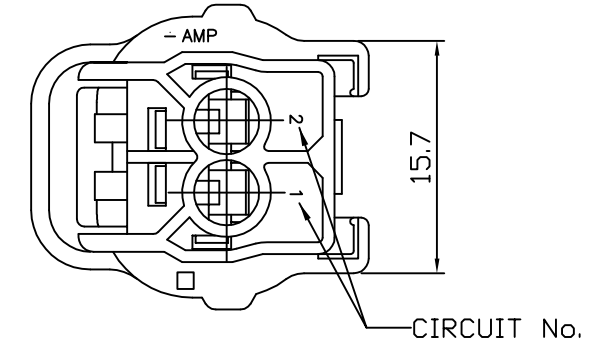
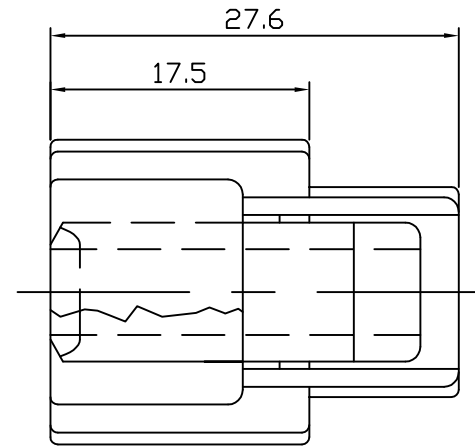
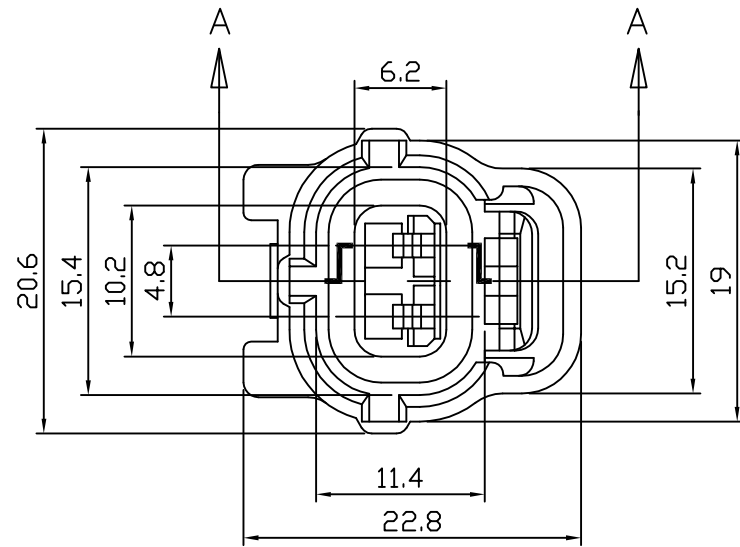
RELEASED FOR PUBLICATION

© COPYRIGHT

BY TYCO ELECTRONICS CORPORATION, ALL RIGHTS RESERVED.

REVISIONS

P	LTR	DESCRIPTION	DATE	DWN	APVD
	E1	REVISED (ECR-08-001967)	17.SEP.'08	KT	HG
	E2	REVISED (ECR-09-017829)	10.AUG.'09	KT	HG
	F	REVISED (ECR-11-008844)	28.APR.'11	WY	HG



SECTION A-A

NOTE;

- FOR CAP HOUSING P/N 174354
- THIS PART IS COMPOSED OF PLUG HOUSING P/N 368254 AND SEAL RING P/N 917370, 368882
- THIS PART MUST BE USED WITH DOUBLE LOCK PLATE P/N 174353
- APPLICABLE CONTACT P/N 171630, 171662

NO	COLOR	MATERIAL	DESCRIPTION	QTY
②	BROWN	SILICON	SEAL RING	1
②	BLACK	SILICON	SEAL RING	1
①	GRAY	PBT	2P PLUG HOUSING	1
①	BLACK	PBT	2P PLUG HOUSING	1

THIS DRAWING IS A CONTROLLED DOCUMENT FOR TYCO ELECTRONICS CORPORATION IT IS SUBJECT TO CHANGE AND THE CONTROLLING ENGINEERING ORGANIZATION SHOULD BE CONTACTED FOR THE LATEST REVISION.

DIMENSIONS: MM	TOLERANCES UNLESS OTHERWISE SPECIFIED: 0 <XX<10 ± 0.2 10<XX<30 ± 0.25 30<XX ± 0.3 ANGLES ± 3°
MATERIAL SEE TABLE	FINISH

DWN WY JANG
CHK KT LIM
APVD HG CHD
PRODUCT SPEC 108-61054
APPLICATION SPEC 114-5082
WEIGHT 5.2g

TE TE Connectivity

NAME
ECONOSEAL J-MARKII(+) CONNECTOR
2 POS. PLUG HOUSING

SIZE A3 CAGE CODE 00779 DRAWING NO C-368261 RESTRICTED TO -

CUSTOMER DRAWING SCALE 2/1 SHEET 1 OF 1 REV F