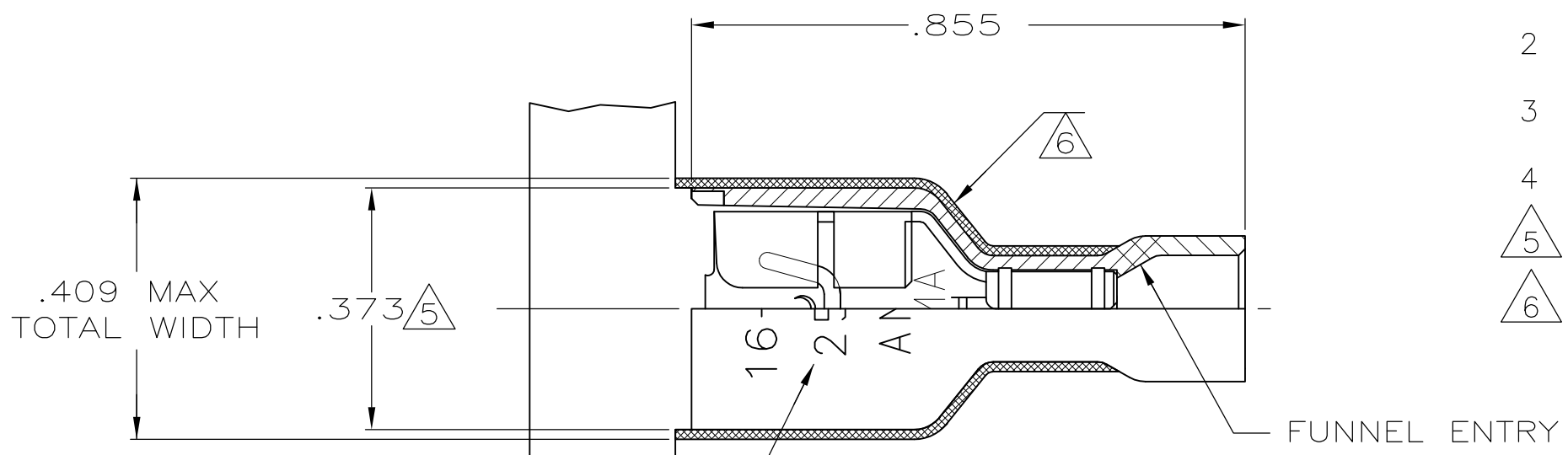
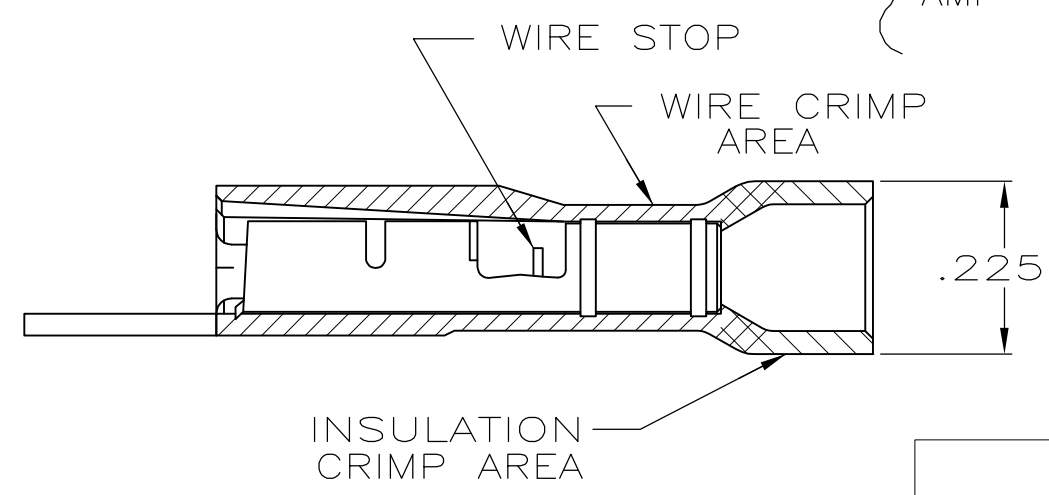
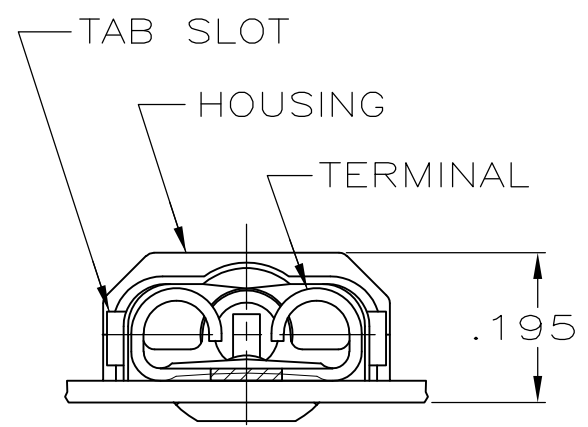


THIS DRAWING IS UNPUBLISHED. RELEASED FOR PUBLICATION
 © COPYRIGHT - By - ALL RIGHTS RESERVED.

LOC	DIST	REVISIONS			
P	LTR	DESCRIPTION	DATE	DWN	APVD
AF	50	L	REVISED PER ECR-13-004343	30JUL13	KH KR



- 1 MATES WITH .032±.001x.250 TAB
- 2 WIRE STRIP LENGTH .281
- 3 INSULATION SIZE .090-.160 DIA
- 4 CONTINUOUS STRIP ON REELS
- 5 DIMENSION DOES NOT INCLUDE TRIM BURR
- 6 .015 MAX CARRIER TRIM BURR PER SIDE IS ALLOWABLE IN THE SHADED AREA



WIRE AND RECEPTACLE SIZE IDENTIFICATION { 16-14 250 AMP

HOUSING: NYLON, COLOR-BLUE TRANSLUCENT RECEPTACLE: BRASS TIN	3-520406-2
MATERIAL & FINISH	PART NO

THIS DRAWING IS A CONTROLLED DOCUMENT.		DWN P FORTNEY 10/27/88	STE TE Connectivity	
DIMENSIONS: INCHES		CHK MS FEHER 11/3/88		
TOLERANCES UNLESS OTHERWISE SPECIFIED:		APVD K RANDOLPH 11/14/88	NAME	
0 PLC ± -		PRODUCT SPEC 108-2044	RECEPTACLE ASSY, ULTRA-FAST PLUS, .250 SERIES, 16-14 AWG	
1 PLC ± -		APPLICATION SPEC 114-2123	SIZE	CAGE CODE
2 PLC ± -		WEIGHT -	A3	00779
3 PLC ± .015		CUSTOMER DRAWING	DRAWING NO	C-520406
4 PLC ± -		SCALE 4:1	SHEET 1 OF 1	REV L
ANGLES ± -				
FINISH				
SEE TABLE				