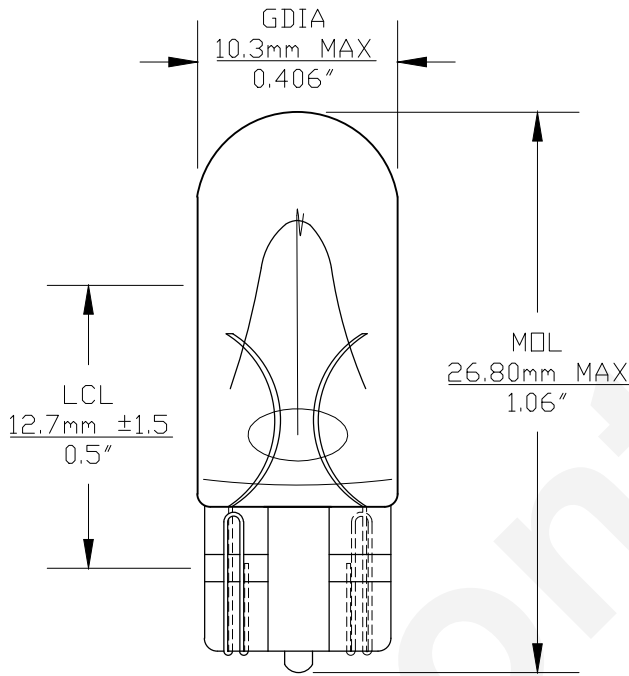
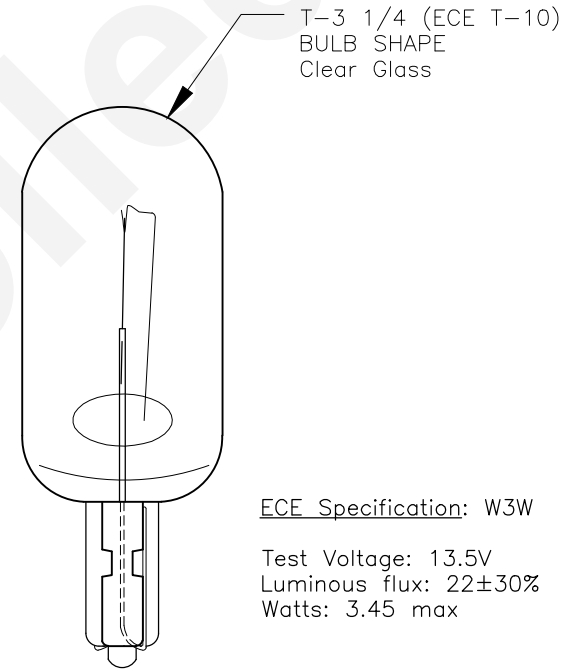




PART NO.	BASE TYPE	DESIGN VOLTS	DESIGN AMPS	MSCD	FILAMENT TYPE	AVERAGE LIFE HOURS	REVISIONS			
							REV #	DESCRIPTION	DATE	APPROVED
2821	Glass Wedge T-3 1/4 (W2.1X9.5d)	12.0V	0.25±10%	1.76 ±20%	C-2V	1000	1	ADDED ECE SPECIFICATION	06/17/2009	S.L.



0° VIEW



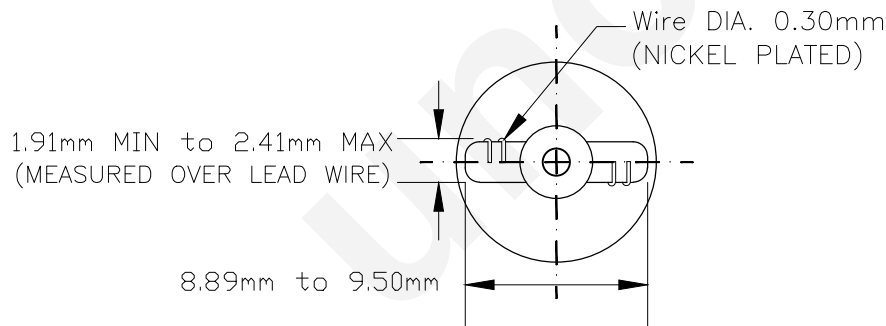
90° VIEW

ECE Specification: W3W

Test Voltage: 13.5V  
Luminous flux: 22±30%  
Watts: 3.45 max



Note: Made according to ECE/R37 specifications



BASE BOTTOM VIEW

UNLESS OTHERWISE SPECIFIED: DIMENSIONS ARE IN INCHES TOLERANCES		CEC INDUSTRIES LTD			
DECIMALS	ANGULAR	599 BOND STREET		LINCOLNSHIRE, IL 60069	
.XX ± .05	± 0.5°	TITLE LIGHT BULB NO. 2821 (W3W)			
.XXX ± .010		SIZE A	FSCM NO.	DWG NO. 2821	REV 1
FRACTIONAL	±1/64	SCALE		PLOT SCALE	SHEET 1 OF 1
DRAWN SIDNEY LIU		DATE 07/31/2001		MATERIAL	
CHECKED		FILE 2821.pdf		DRAWING NOT TO SCALE	