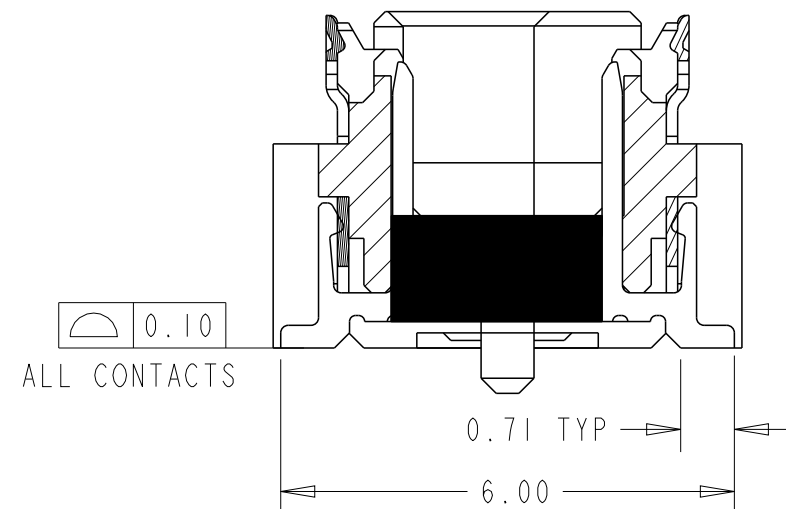
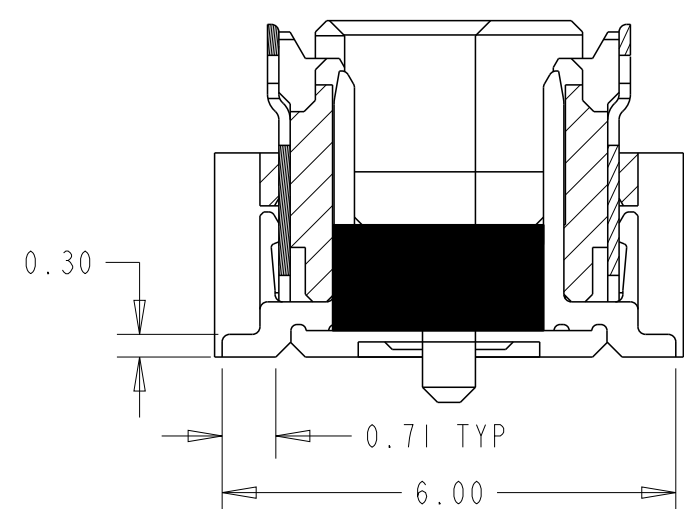
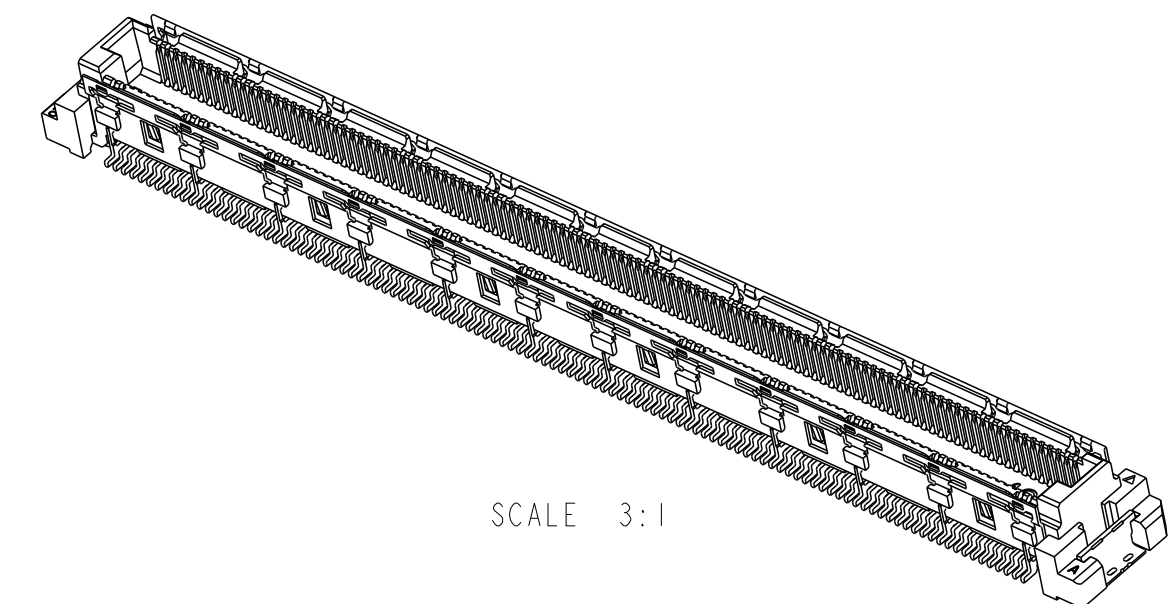
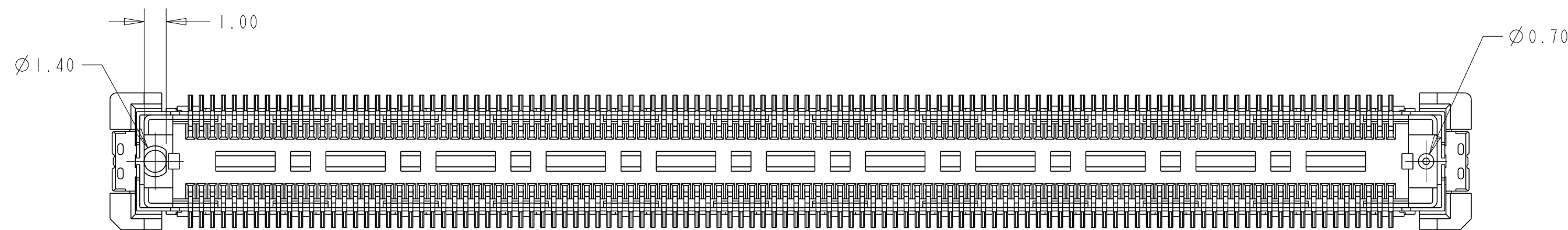
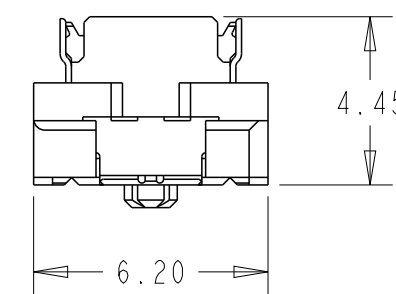
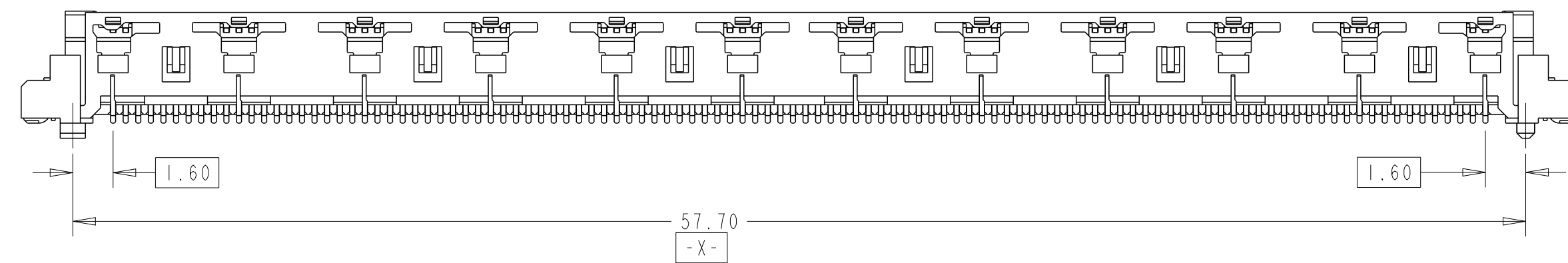
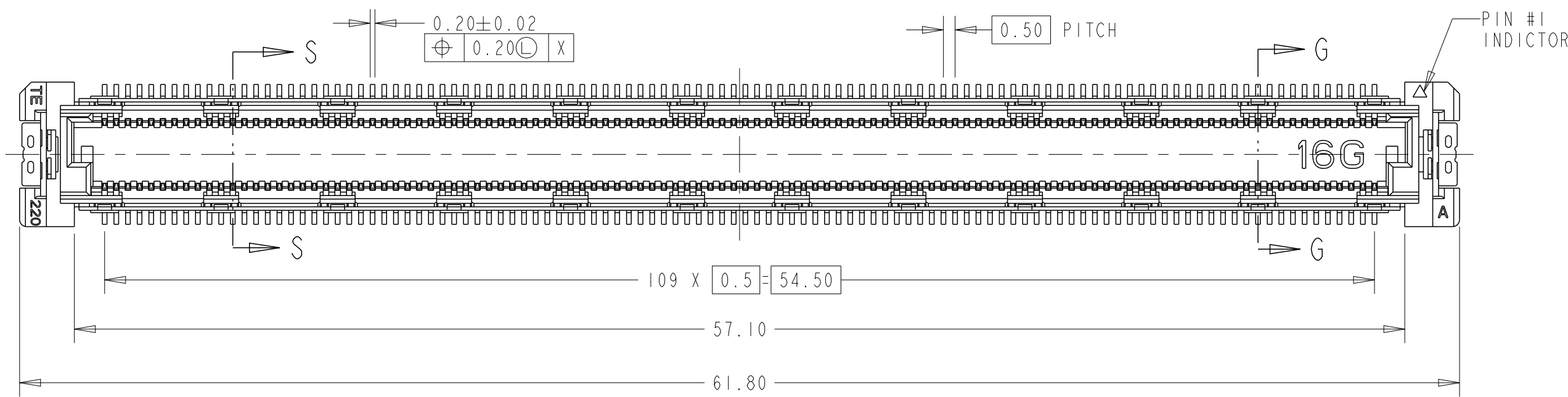


P	LTR	DESCRIPTION	DATE	DWN	APVD
2		SOLDER AREA GOLD FLASH	12OCT2019	AL	HL
3		ADD NEW PARTS	20JULY2020	A.L	H.L
A		FORMAL RELEASE	21AUG2020	A.L	H.L
A1		UPDATE TOL AND TP OF CONTACT	26OCT2020	A.L	H.L

NOTES:

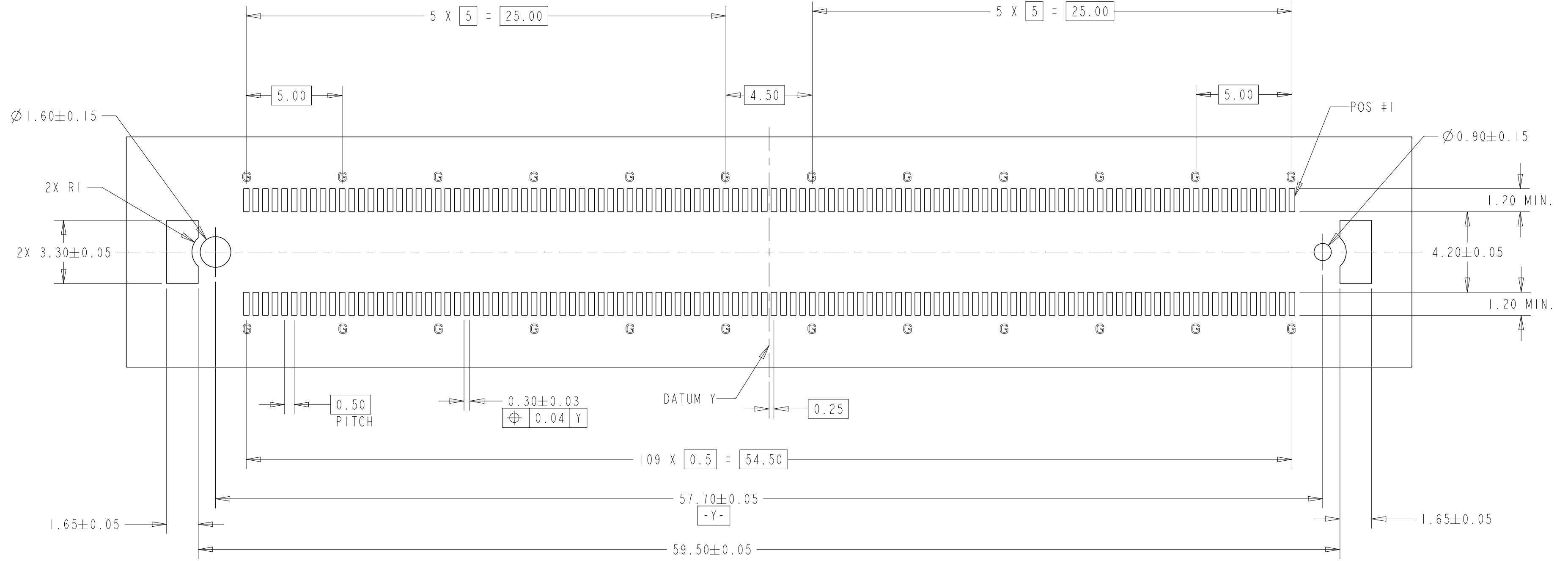
- MATERIAL  
 HOUSING :HIGH TEMP THERMO PLASTIC UL94V-0  
 CONTACT :COPPER ALLOY  
 SOLDER PEG : COPPER ALLOY  
 GROUND PLATE :COPPER ALLOY
- FINISH  
 UNDERPLATED : 1.27um MIN.NICKEL ALL OVER  
 CONTACT MATING AREA : MEETS THE PERFORMANCE REQUIREMENTS OF TE CONNECTIVITY PRODUCT SPECIFICATION 108-32658.  
 SOLDER AREA : GOLD FLASH




TAPE & REEL	WITHOUT	2357787-4
TAPE & REEL	WITH	2357787-3
HARD TRAY	WITHOUT	2357787-1
PACKAGE	CAP	P/N

THIS DRAWING IS A CONTROLLED DOCUMENT.		DWN	ART LIN	12JUN2019	TE Connectivity
DIMENSIONS: mm		CHK	HOPE LU	-	
TOLERANCES UNLESS OTHERWISE SPECIFIED:		APVD	HOPE LU	-	
0 PLC ±1 1 PLC ±0.3 2 PLC ±0.15 3 PLC ±0.050 4 PLC ±0.0250 ANGLES ±3° FINISH -		PRODUCT SPEC	108-32658	NAME	
MATERIAL	SEE NOTE 1	APPLICATION SPEC	114-115003	SIZE	A2
SEE NOTE 2		WEIGHT	-	CAGE CODE	00779
CUSTOMER DRAWING		SCALE	1:1	DRAWING NO	C-2357787
		SHEET	1	RESTRICTED TO	-
		OF	5	REV	A1

P	LTR	DESCRIPTION	DATE	DWN	APVD
-	-	SEE SHEET 1	-	-	-

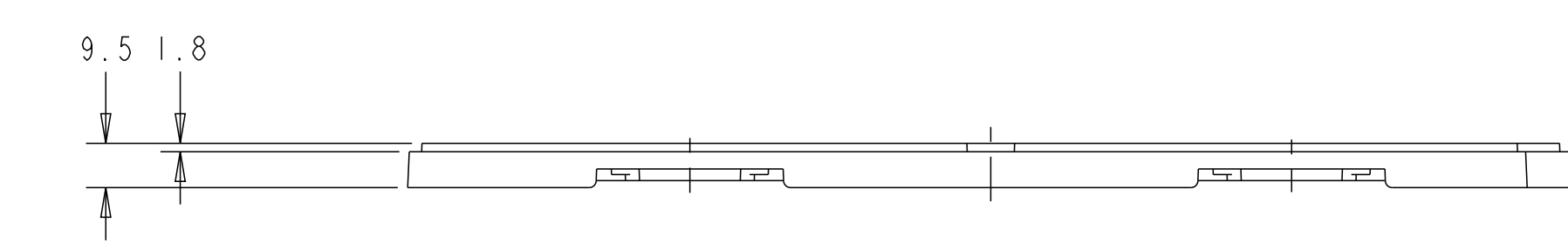
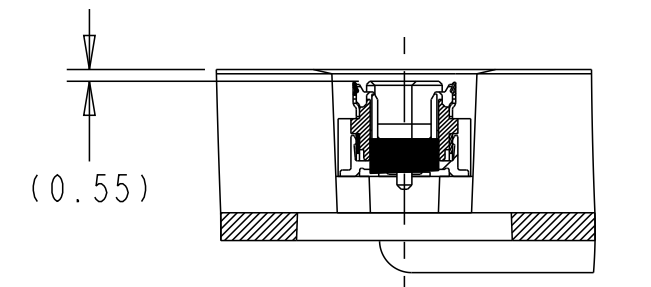
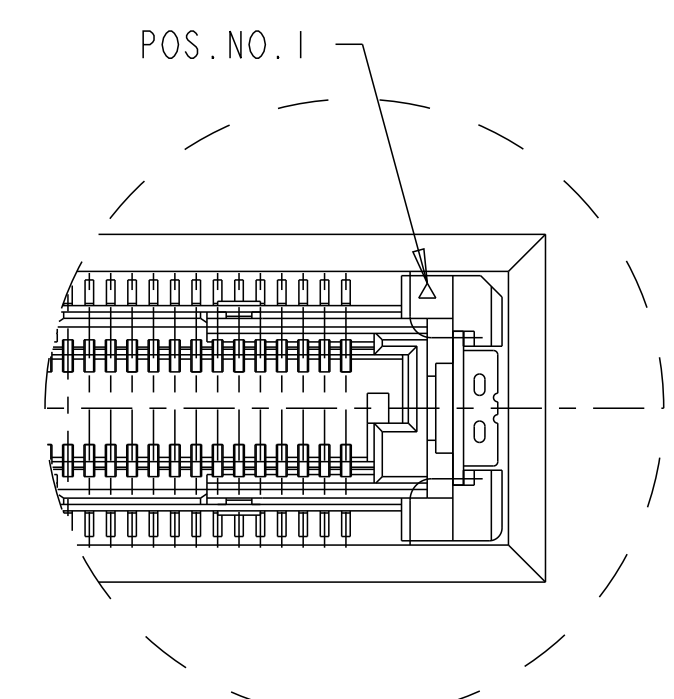
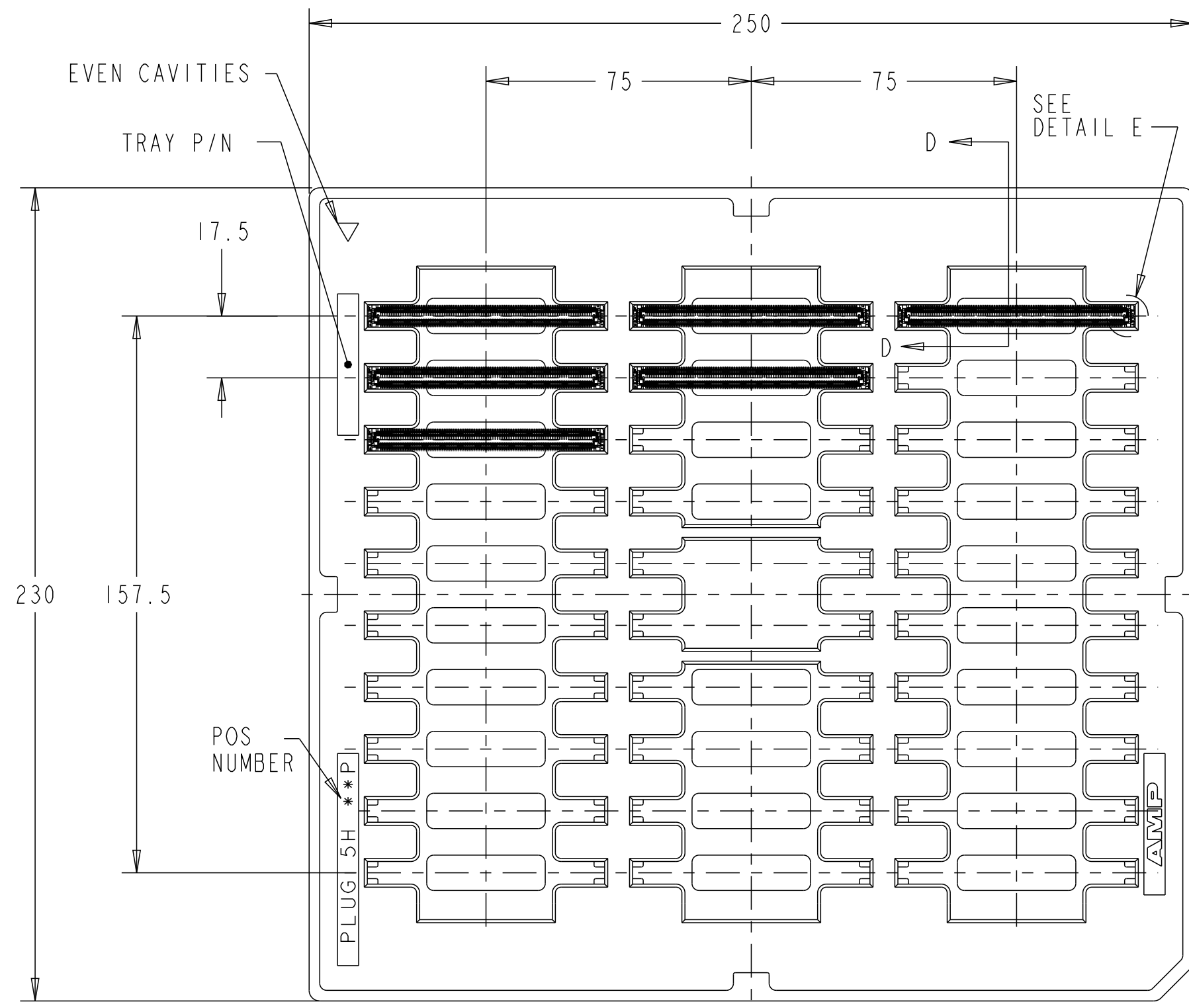


REFERENCE P.C. BOARD LAYOUT  
G: Ground

THIS DRAWING IS A CONTROLLED DOCUMENT.		DWN ART LIN 12 JUN 2019	 TE Connectivity		
DIMENSIONS: mm		CHK HOPE LU			
TOLERANCES UNLESS OTHERWISE SPECIFIED: 0 PLC ±1 1 PLC ±0.3 2 PLC ±0.15 3 PLC ±0.050 4 PLC ±0.0250 ANGLES ±3°		APVD HOPE LU	NAME 5H PLUG ASSY 220POS FH 0.5 BTB 16Gbps WITH G-PLATE		
MATERIAL - SEE NOTE 1		PRODUCT SPEC 108-32658	APPLICATION SPEC 114-115003	SIZE A2	CAGE CODE 00779
SEE NOTE 2		WEIGHT -	CUSTOMER DRAWING	DRAWING NO C-2357787	RESTRICTED TO -
			SCALE 1:1	SHEET 2 OF 5	REV A1

WITHOUT PICK UP CAP  
2357787-1

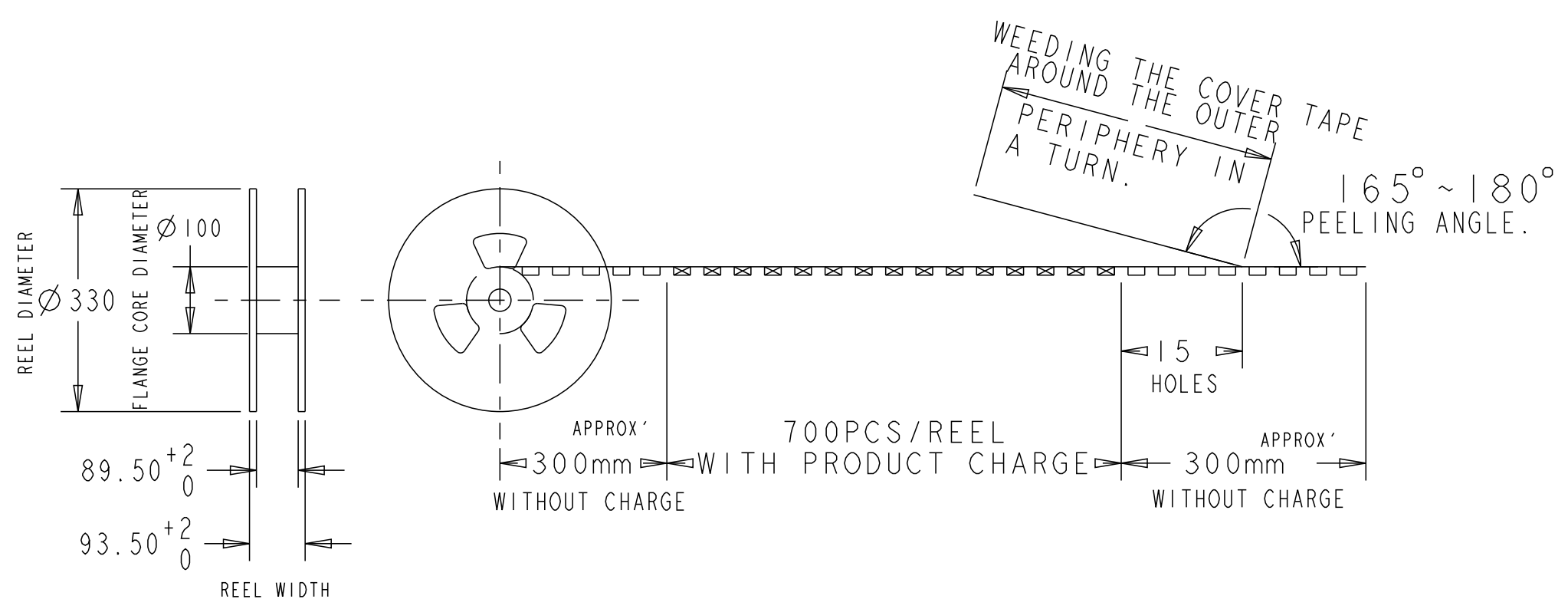
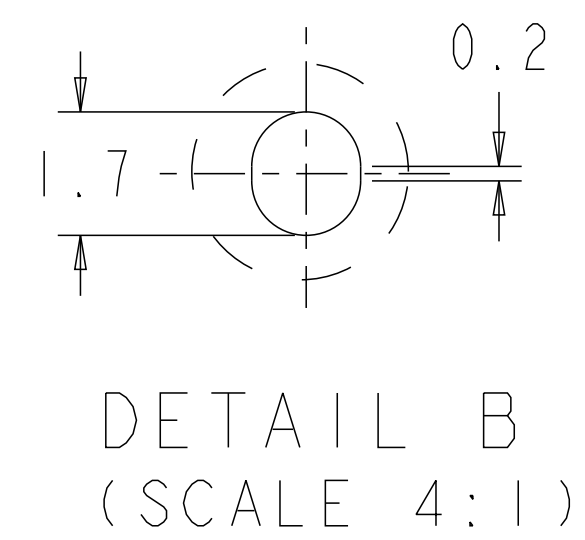
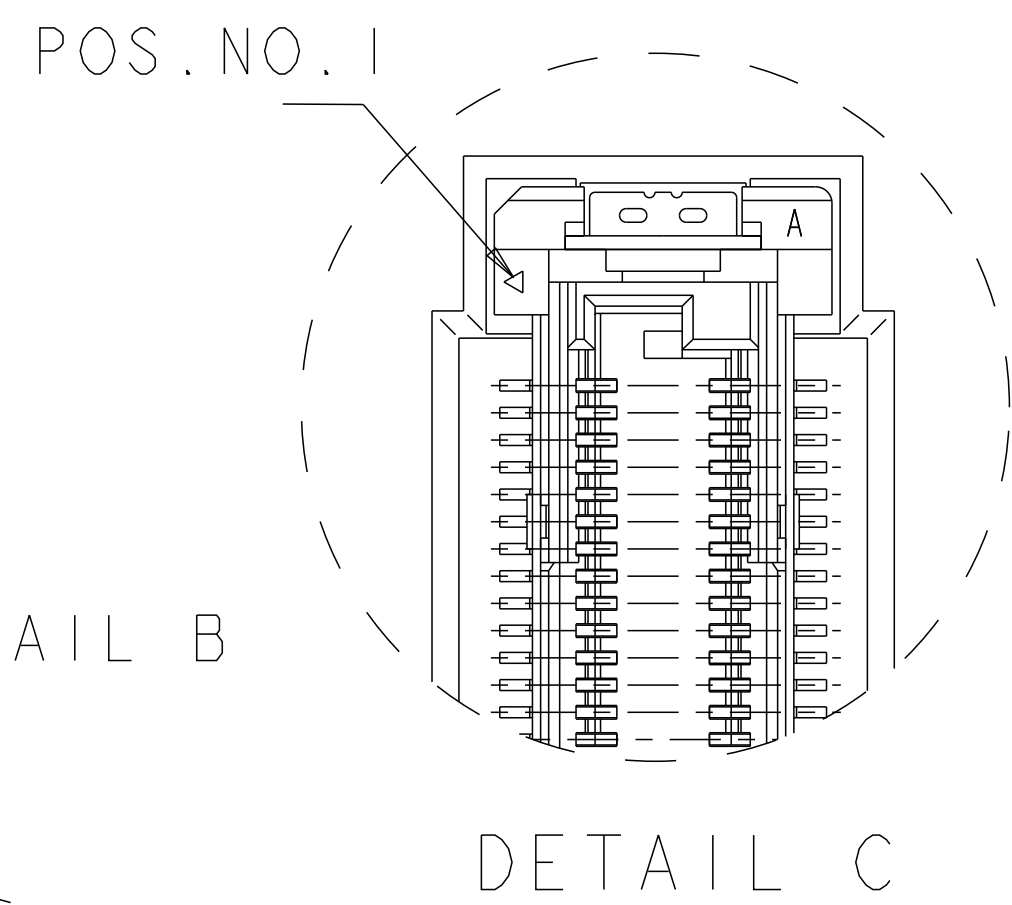
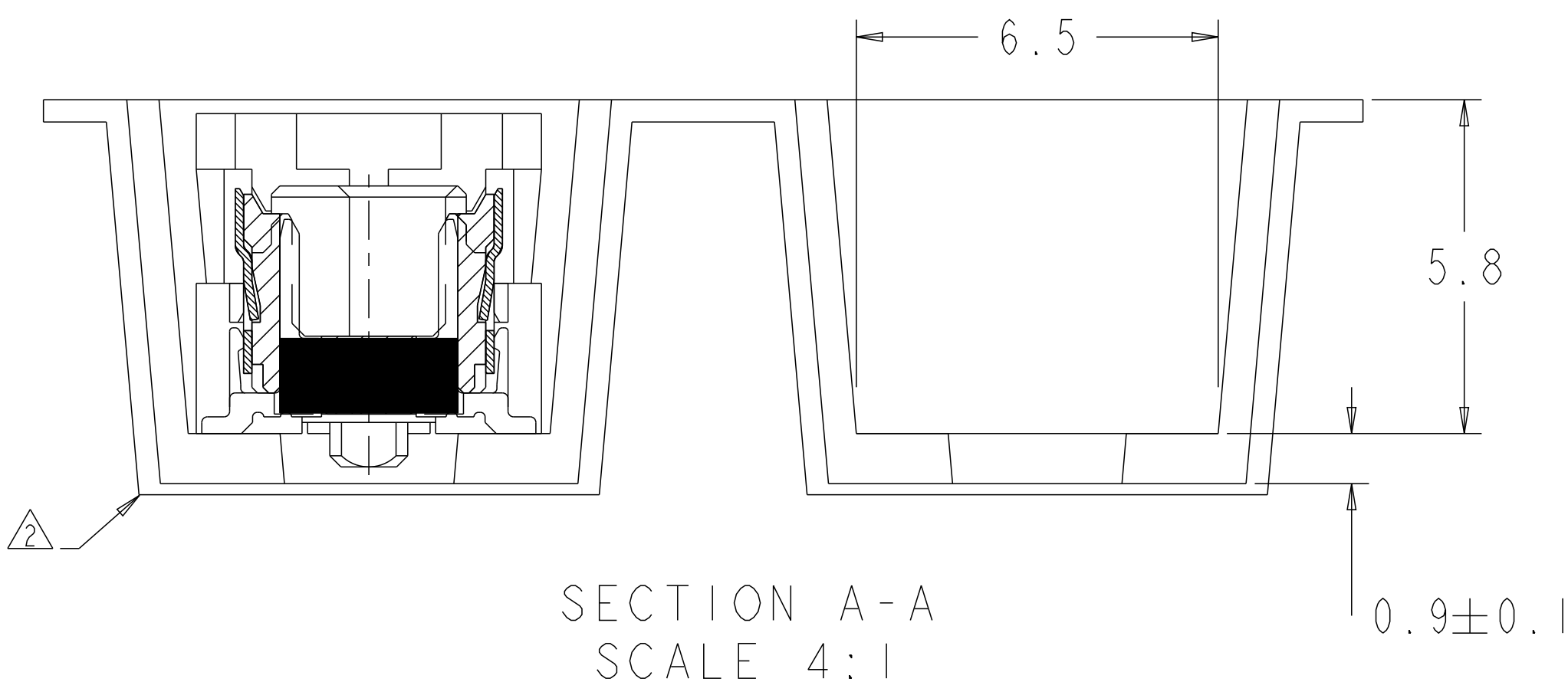
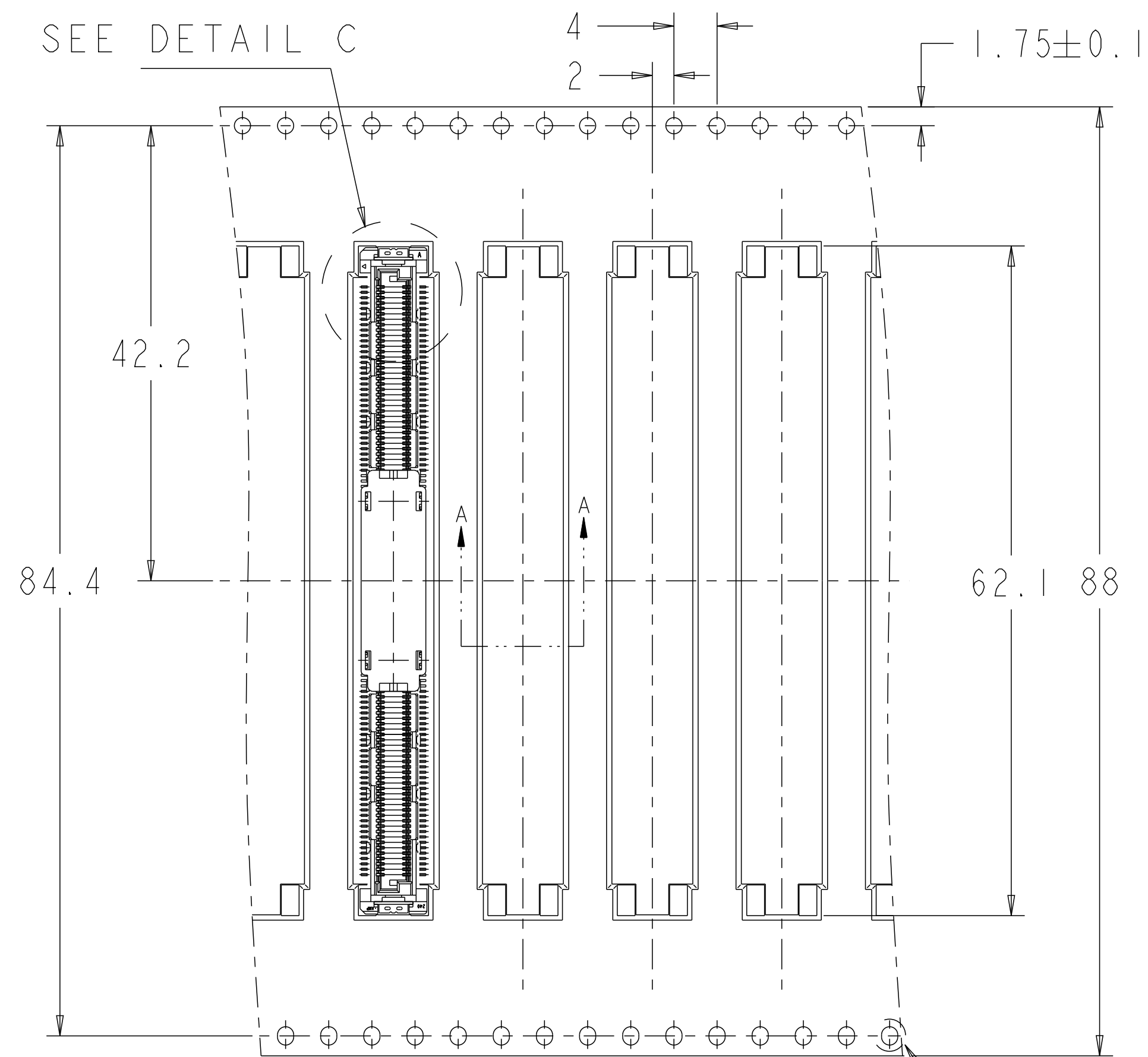
REVISIONS				
P	LTR	DESCRIPTION	DATE	APVD
-		SEE SHEET 1	-	-



THIS DRAWING IS A CONTROLLED DOCUMENT.		DWN ART LIN 12 JUN 2019	TE Connectivity	
DIMENSIONS: mm		CHK HOPE LU		
TOLERANCES UNLESS OTHERWISE SPECIFIED:		APVD HOPE LU	NAME 5H PLUG ASSY 220POS FH 0.5 BTB 16Gbps WITH G-PLATE	
0 PLC ±1 1 PLC ±0.3 2 PLC ±0.15 3 PLC ±0.050 4 PLC ±0.0250 ANGLES ±3°		PRODUCT SPEC 108-32658	SIZE A2	CAGE CODE 00779
MATERIAL SEE NOTE 1		APPLICATION SPEC 114-115003	DRAWING NO C-2357787	RESTRICTED TO -
FINISH -		WEIGHT -	SCALE 1:1	SHEET 3 OF 5
SEE NOTE 2		CUSTOMER DRAWING	REV A1	

P	LTR	DESCRIPTION	DATE	DWN	APVD
-	-	SEE SHEET 1	-	-	-

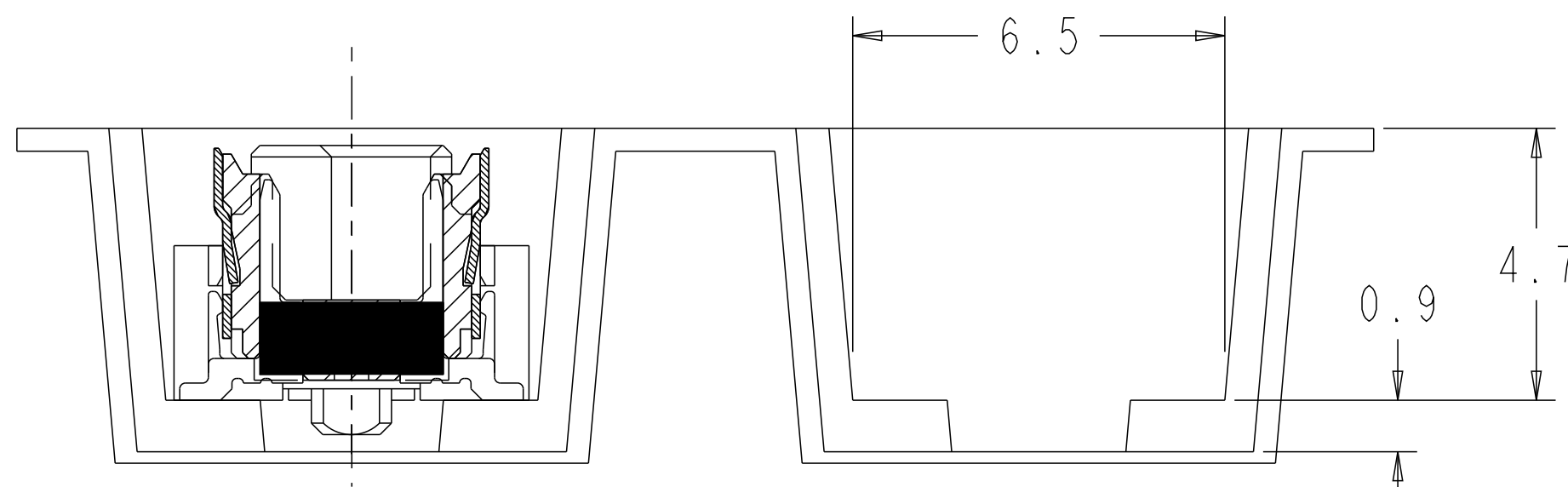
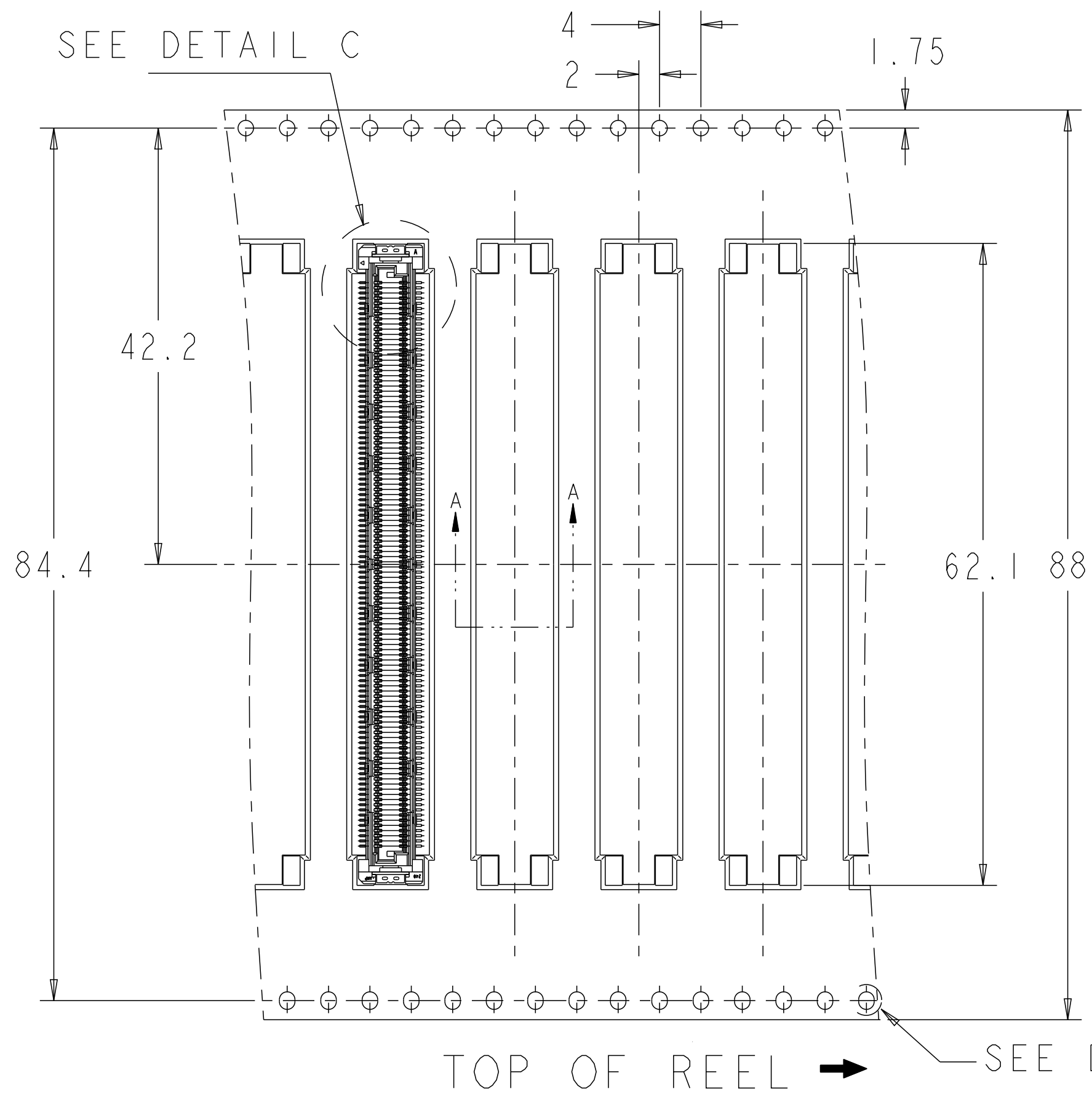
REEL WITH PICK UP CAP  
2357787-3



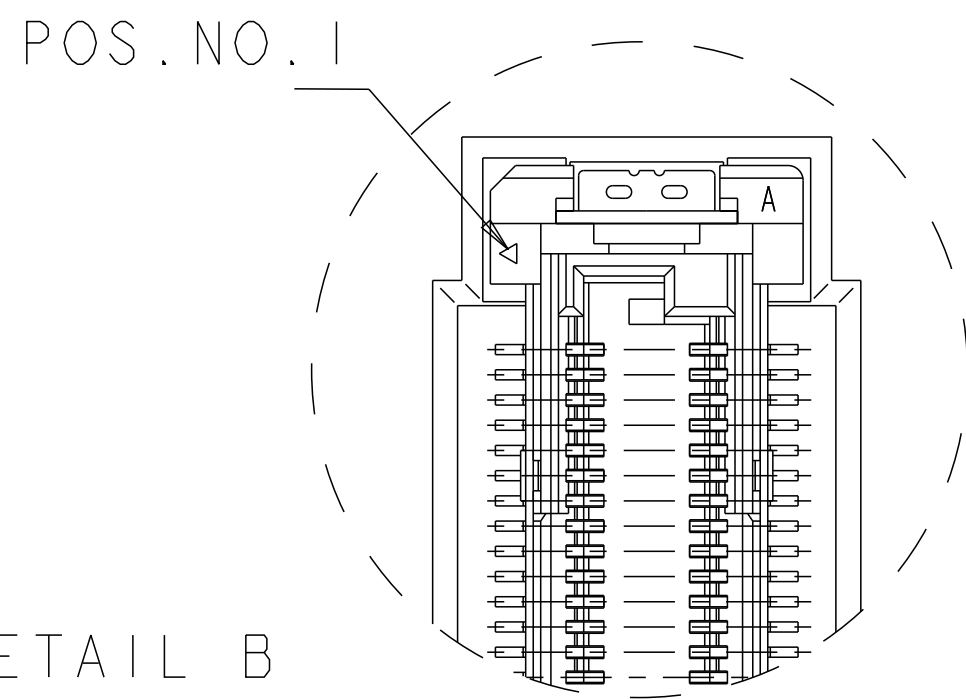
THIS DRAWING IS A CONTROLLED DOCUMENT.		DWN ART LIN 12JUN2019	TE Connectivity	
DIMENSIONS: mm		CHK HOPE LU		
TOLERANCES UNLESS OTHERWISE SPECIFIED:		APVD HOPE LU	PRODUCT SPEC 108-32658	SIZE A2
0 PLC ±1		APPLICATION SPEC 114-115003	CAGE CODE 00779	DRAWING NO C-2357787
1 PLC ±0.3		WEIGHT	RESTRICTED TO	
2 PLC ±0.15		CUSTOMER DRAWING	SCALE 1:1	SHEET 4 OF 5
3 PLC ±0.050			REV A1	
4 PLC ±0.0250				
ANGLES ±3°				
FINISH				
SEE NOTE 1				
SEE NOTE 2				

P	LTR	DESCRIPTION	DATE	DWN	APVD
-	-	SEE SHEET 1	-	-	-

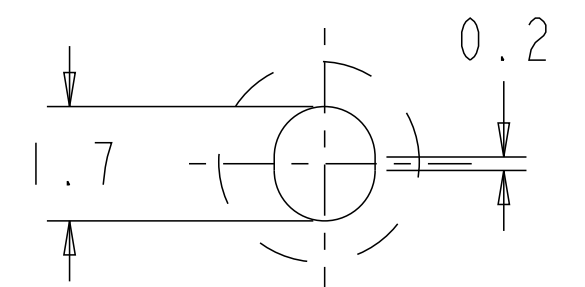
REEL WITHOUT PICK UP CAP  
2357787-4



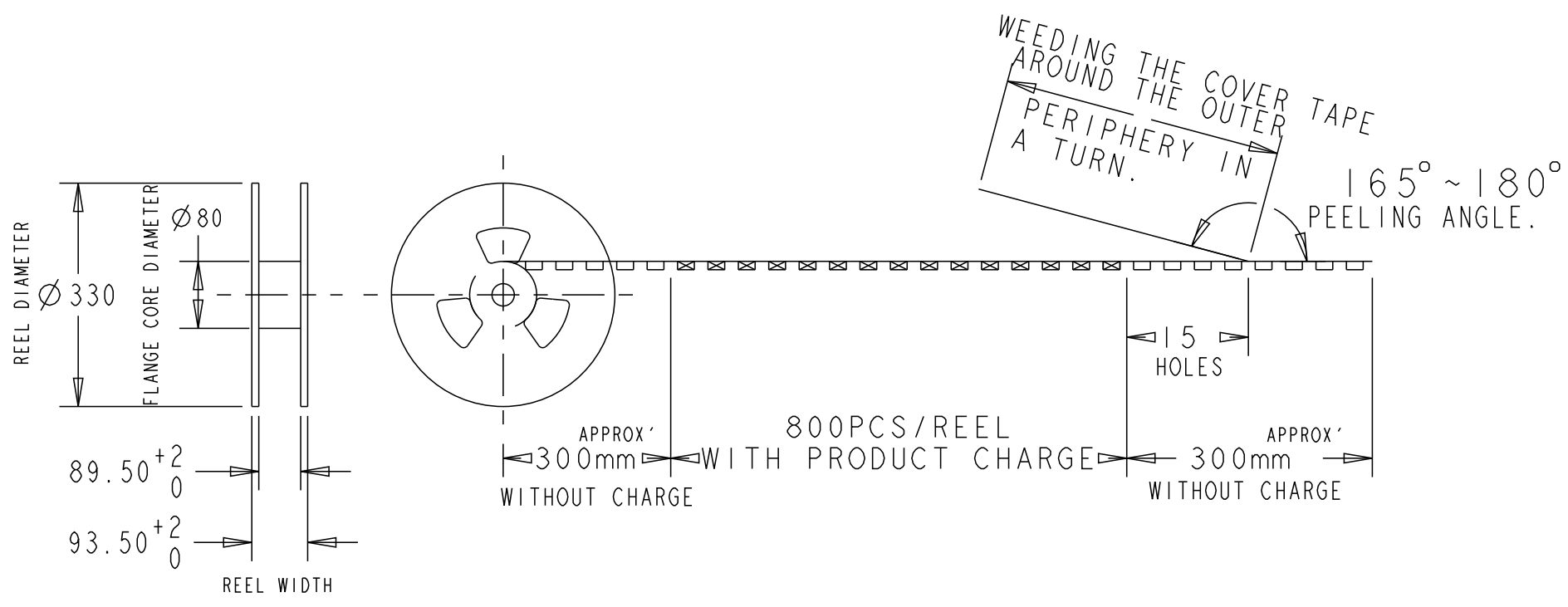
SECTION A-A  
SCALE 4:1



DETAIL C



DETAIL B  
(SCALE 4:1)



THIS DRAWING IS A CONTROLLED DOCUMENT.		DWN ART LIN 12JUN2019	TE Connectivity	
DIMENSIONS: mm		CHK HOPE LU		
TOLERANCES UNLESS OTHERWISE SPECIFIED:		APVD HOPE LU	NAME 5H PLUG ASSY 220POS	
0 PLC ±1	1 PLC ±0.3	PRODUCT SPEC 108-32658	FH 0.5 BTB 16Gbps	
2 PLC ±0.15	3 PLC ±0.050	APPLICATION SPEC 114-115003	WITH G-PLATE	
4 PLC ±0.0250	ANGLES ±3°	WEIGHT -	SIZE A2	CAGE CODE 00779
MATERIAL -	FINISH -	CUSTOMER DRAWING	DRAWING NO C-2357787	RESTRICTED TO -
SEE NOTE 1	SEE NOTE 2	SCALE 1:1	SHEET 5 OF 5	REV A1