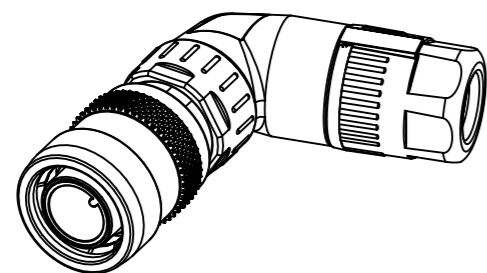
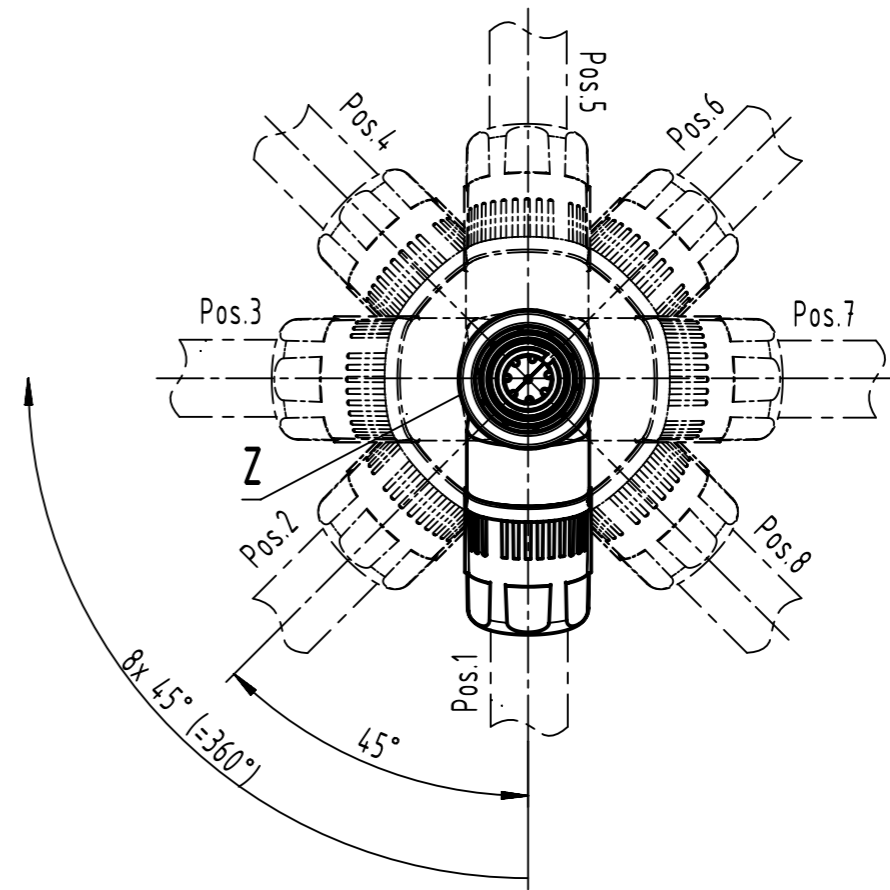
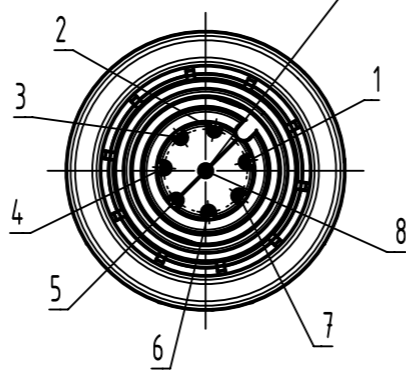


assembly aid enclosed

Z (2:1)
contact face acc. to
IEC 61076-2-101



order contacts separately

cable Ø	wire gauge	contact part-no.
5,7-8,8mm	AWG 26-23	21 01 100 9020

	All rights reserved Department EL PD	All Dimensions in mm Original Size DIN A3	Scale 1:1	Free size tol.	Ref. Sub.
		Created by BALSAN	Inspected by PRIESTER	Standardisation 302077	Date 2021-04-15
HARTING D-32339 Espelkamp		Title M12 PushPull A-cod 8-pol male angled			Doc-Key / ECM-Nr. 100684487/UGD/002/G 500000193229
		Type TB	Number 21038213830		Rev. G Page 1/1