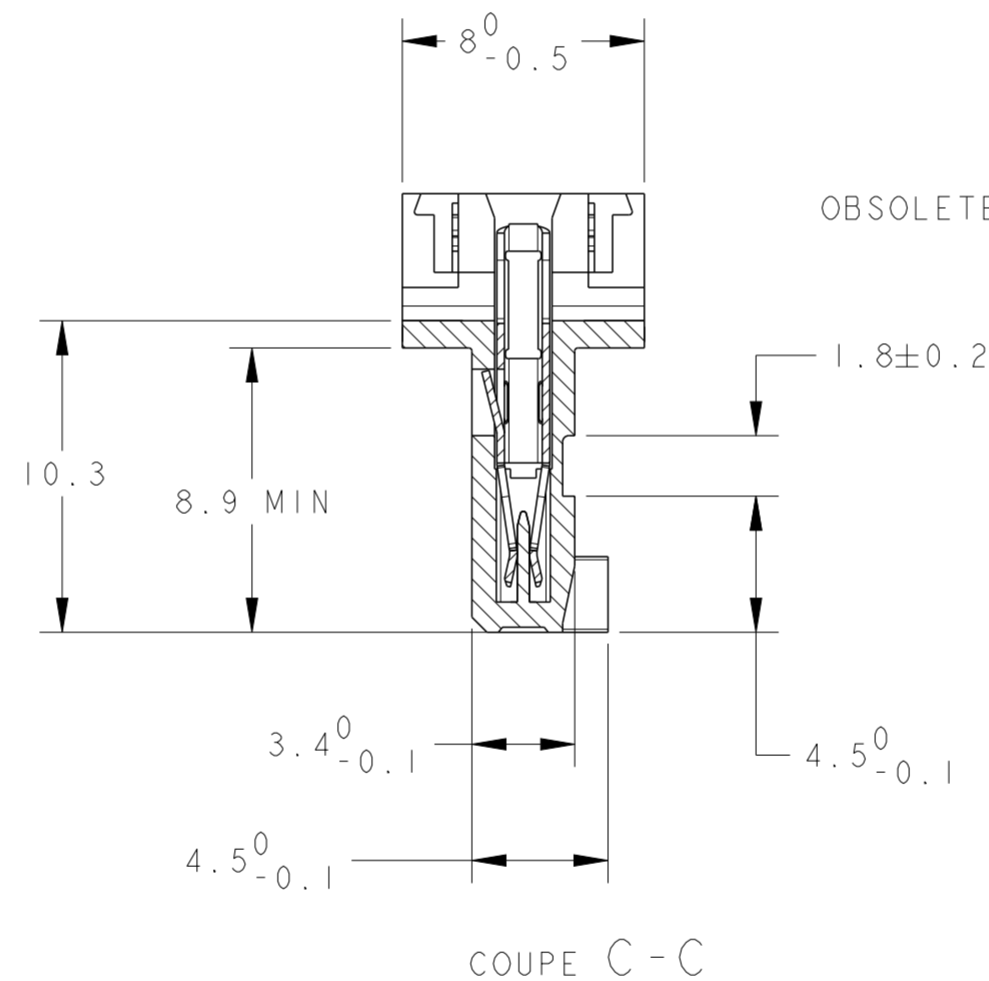
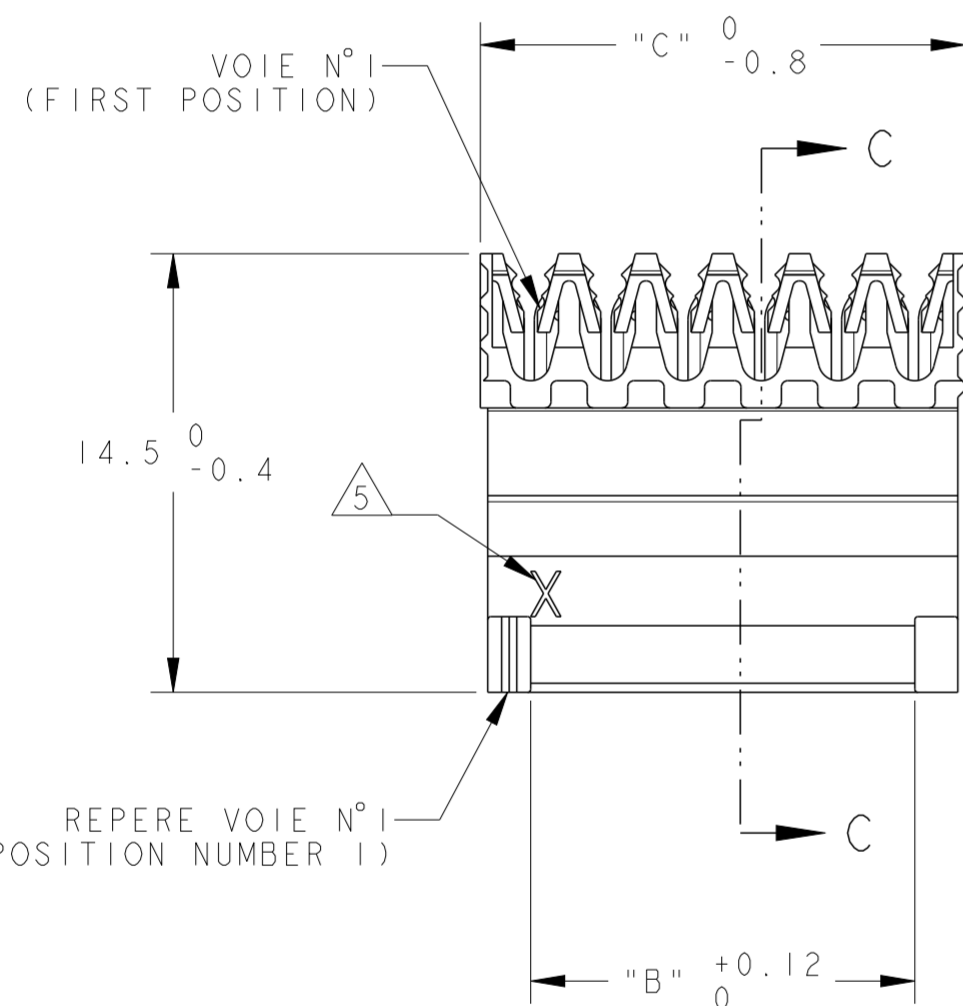
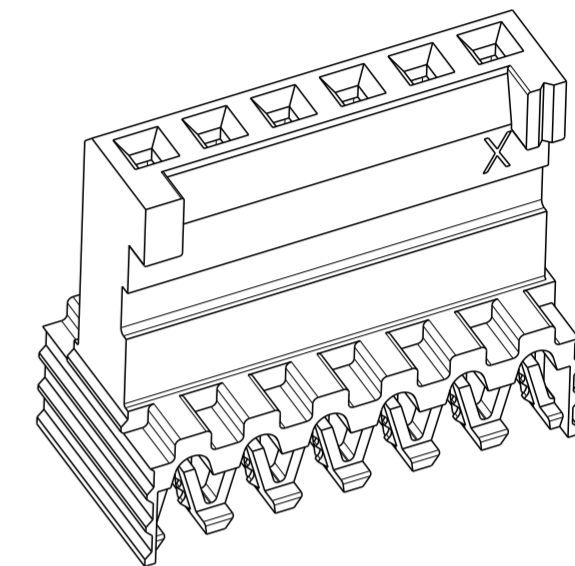
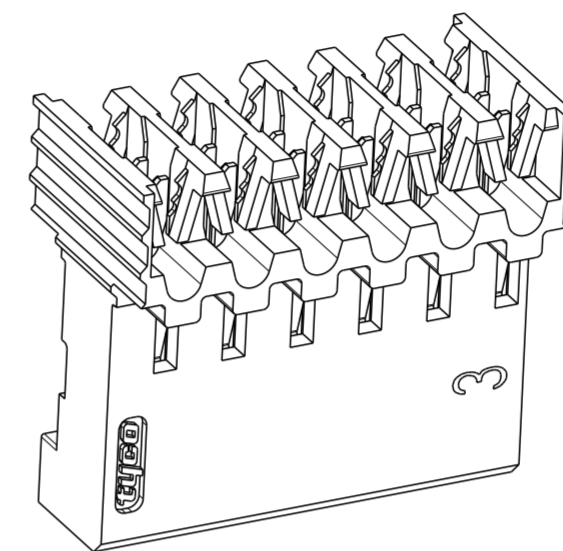
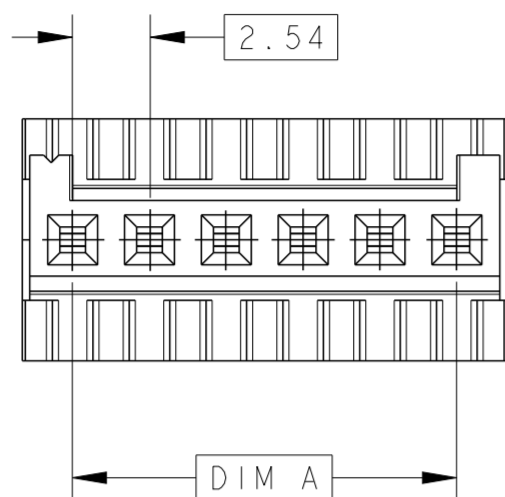


FILS ADMISSIBLES (ACCEPTABLE WIRES)

JAUGE (AWG) SECTION / 7 BRINS (7 STRANDS)	26 0.12mm <sup>2</sup>
ISOLANT: Ø MAX / MATIERE (INSUL.: Ø MAX / MAT'L)	Ø 1 / PVC

REVISIONS

P	LTR	DESCRIPTION	DATE	DWN	APVD
	B4	DRAWING REACTIVATED	21 JUN 2022	MP	JK



OBSOLETE

OBSOLETE	-9	64.30	60.96	25	2-281711-5	2-144271-5
	-9	61.76	58.42	24	2-281711-4	2-144271-4
	-10	59.22	55.88	23	2-281711-3	2-144271-3
	-10	56.68	53.34	22	2-281711-2	2-144271-2
	-10	54.14	50.80	21	2-281711-1	2-144271-1
	-11	51.60	48.26	20	2-281711-0	2-144271-0
	-12	49.06	45.72	19	1-281711-9	1-144271-9
	12	46.52	43.18	18	1-281711-8 *	1-144271-8 *
	13	43.98	40.64	17	1-281711-7	1-144271-7
OBSOLETE	-14	41.44	38.10	16	1-281711-6	1-144271-6
	15	38.90	35.56	15	1-281711-5 *	1-144271-5 *
OBSOLETE	-16	36.36	33.02	14	1-281711-4	1-144271-4
	-17	33.82	30.48	13	1-281711-3	1-144271-3
OBSOLETE	18	31.28	27.94	12	1-281711-2 *	1-144271-2 *
	-20	28.74	25.40	11	1-281711-1	1-144271-1
OBSOLETE	20	26.20	22.86	10	1-281711-0 *	1-144271-0 *
	-25	23.66	20.32	9	0-281711-9	0-144271-9
OBSOLETE	25	21.12	17.78	8	0-281711-8 *	0-144271-8 *
	-30	18.58	15.24	7	0-281711-7	0-144271-7
OBSOLETE	35	16.04	12.70	6	0-281711-6 *	0-144271-6 *
	40	13.50	10.16	5	0-281711-5 *	0-144271-5 *
	50	10.96	7.62	4	0-281711-4 *	0-144271-4 *
	70	8.42	5.08	3	0-281711-3 *	0-144271-3 *
	100	5.88	2.54	2	0-281711-2	0-144271-2
	QUANT / TUBE	C	A, B	Nb DE POS	4	VRAC (L.P.)
DIMENSIONS		REFERENCES (PART No)				

1 CES CONNECTEURS SONT PREVUS POUR ETRE ACCOUPLES AVEC LES EMBASES 'HE1402' SIMPLE RANGEE

(THESE CONNECTEURS ARE DESIGNED TO BE MATED WITH 'HE1402' HEADERS SINGLE ROW)

2 LES REFERENCES SUIVIES D'UN ' \* ' SONT LES VERSIONS NORMALISEES SELON LA 'CEI 603-8'

(THE PART-NO FOLLOWED BY ' \* ' ARE COVERED BY THE INTERNATIONAL STANDARD 'IEC 603-8')

3 REVETEMENT DES CONTACTS: ETAIN SANS PLOMB

(THE CONTACTS ARE TIN PLATED LEAD FREE)

4 CONNECTEURS CONDITIONNES SOUS TUBE PVC

(THESE CONNECTEURS ARE PACKAGED IN TUBE)

5 ' X ' EST REMPLACE PAR LE DEUXIEME CHIFFRE DES JAUGES AWG

(' X ' REPLACED BY THE SECOND DIGIT OF AWG AS DEFINED IN TABLE)

6 MATIERES - BOITIER: PBT UL94V0  
- CONTACTS: BRONZE PHOSPHOREUX

(MATERIALS - CASE: PBT UL94V0  
- CONTACTS: PHOSPHOR BRONZE)

THIS DRAWING IS A CONTROLLED DOCUMENT.

DIMENSIONS:	TOLERANCES UNLESS OTHERWISE SPECIFIED:
mm	0 PLC ± 1 PLC ±0.3 2 PLC ± 3 PLC ± 4 PLC ± ANGLES ±5° FINISH
MATERIAL	

DWN	17 NOV 2000
CHK	C. COMBEDOUZON
CHK	T. CORRIOU
APVD	17 NOV 2000
APVD	Y. PETRONIN
PRODUCT SPEC	108-15053
APPLICATION SPEC	114-15030
WEIGHT	-
CUSTOMER DRAWING	

		TE Connectivity	
NAME: HE 1402 PLUG 90deg IDC SINGLE ROW			
SIZE	CAGE CODE	DRAWING NO	RESTRICTED TO
A2	0779	C-281711	-
SCALE	4:1	SHEET	OF
			REV B4