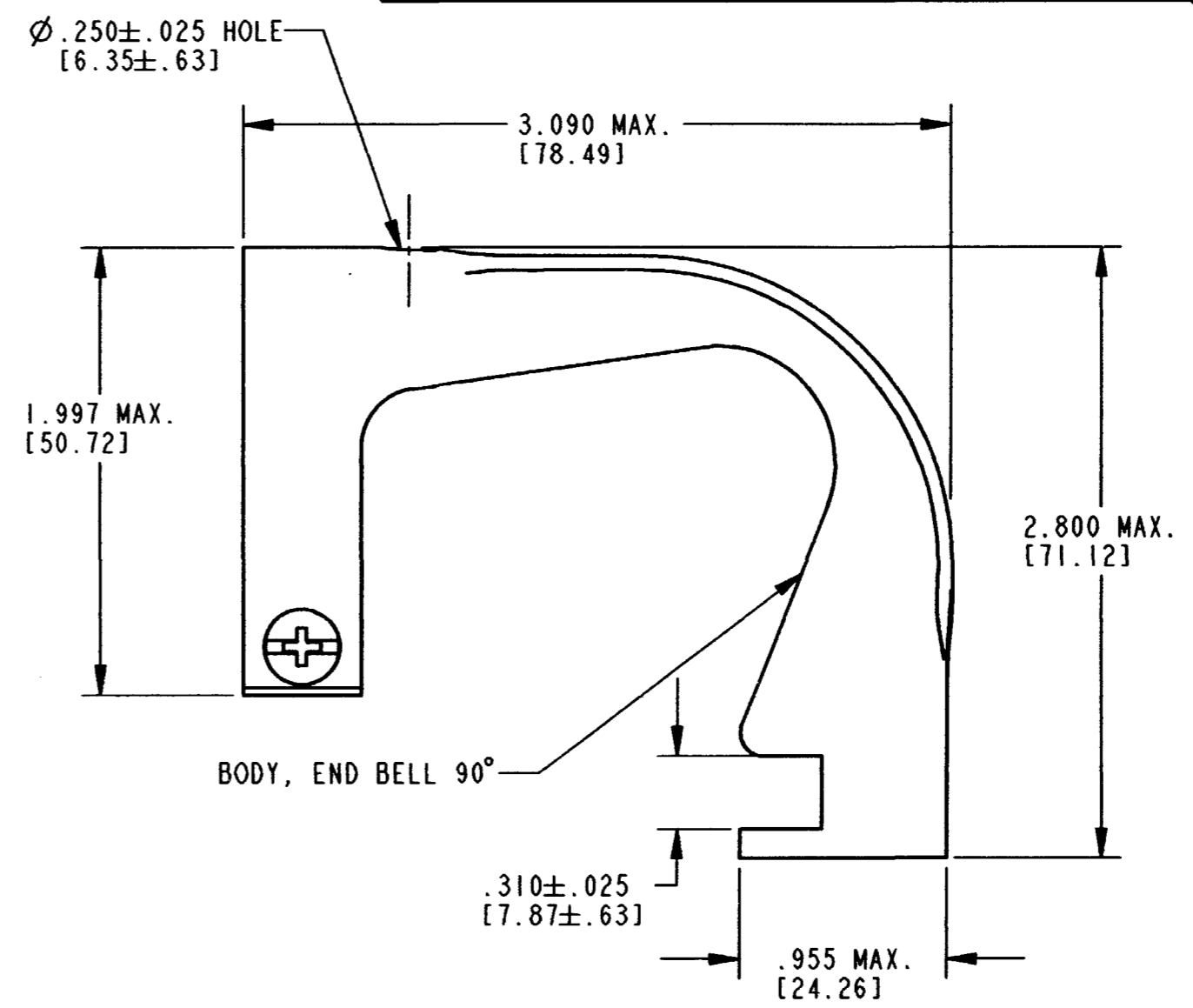
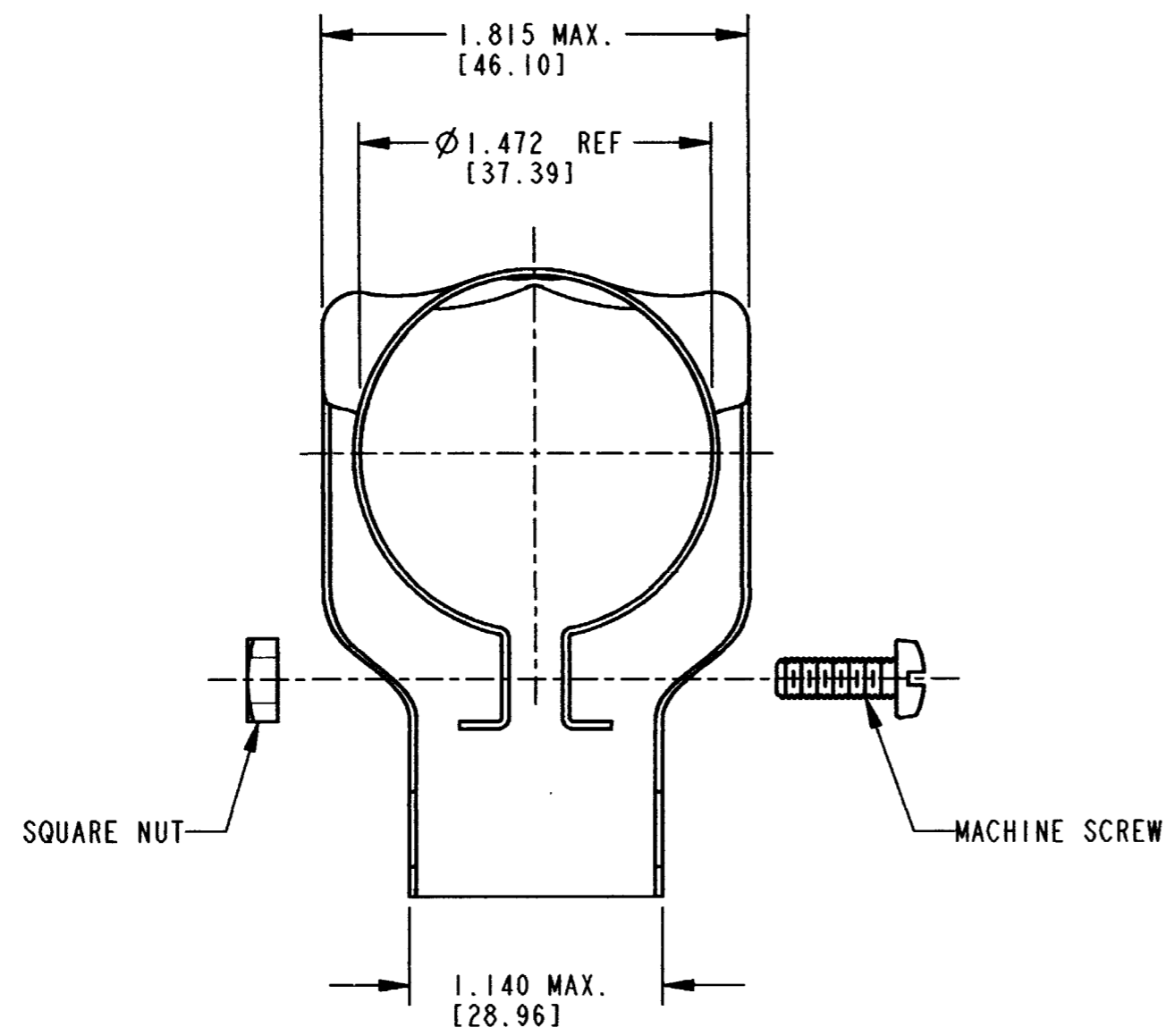


REV
E
WHDS-24-2

REVISIONS			
SYM	DESCRIPTION	DATE	APPROVED
B	REVISED PER E.O. 93864	2/16/83	T.H.
C	REVISED PER E.O. P15473	11/20/97	R.D.R.
D	REVISED PER E.O. P18579	6-14-04	R.D.R.
E	REVISED PER E.O. P19027	8-31-05	RDR



- 5. MACHINE SCREW TORQUE RANGE: 7-10 IN LBS [0.79-1.13 NM].
- 4. MATERIAL: STEEL.
- 3. FINISH: TIN OVER NICKEL PLATE.
- 2. PARTS SHIPPED UNASSEMBLED.

NOTES: 1. DIMENSIONS ARE IN INCHES [MILLIMETERS] UNLESS OTHERWISE SPECIFIED.

SIGNATURE & DATE		END BELL, 90° HD SERIES	CP	MATL. CODE
DR	X. SANCHEZ 21MAY04		The Deutsch Company DEUTSCH I.P.D. 3850 INDUSTRIAL AVE. HEMET, CALIF. 92545	
CHK	<i>[Signature]</i> 8/31/05			
PE	<i>[Signature]</i> 8/29/05			
APPD	<i>[Signature]</i> 8-29-05	ENVELOPE	B	WHDS-24-2
SCALE	NONE	WT	DWG SIZE	CODE 11139 SHEET OF