



Main

Range of Product	Altivar Lexium
Product or Component Type	EMC input filter
Range Compatibility	Lexium 32 Altivar Machine ATV320 Lexium 28 Altivar 32
Product compatibility	LXM28A ATV32, 200...240 V, 1.1...1.5 kW LXM32, single-phase, line current 8.4...12.9 A Variable speed drive ATV320...B 1.1 kW, 200...240 V, single phase Variable speed drive ATV320...B 1.5 kW, 200...240 V, single phase
Product Specific Application	Radio interference input filter
Mounting Location	At variable speed drive side
Phase	Single phase

Complementary

Maximum cable distance between devices	65.62 Ft (20 m) IEC 61800-3 category C1 164.04 ft (50 m) IEC 61800-3 category C2
Line Rated Current	17.6 A
Thermal losses	6.9 W
Network rated voltage	200...240 V
Tolerance	- 15...10 %
Net Weight	1.71 lb(US) (0.775 kg)
Emc filter compatibility	Type 021

Ordering and shipping details

Category	22154 - ATV320/ATV312/ATV32 ACCESSORIES
Discount Schedule	CP4B
GTIN	3606480166884
Nbr. of units in pkg.	1
Package weight(Lbs)	22.36 oz (634 g)
Returnability	No
Country of origin	TH

Packing Units

Unit Type of Package 1	PCE
Package 1 Height	1.97 in (5 cm)
Package 1 width	7.09 in (18 cm)
Package 1 Length	9.17 in (23.3 cm)

The information provided in this documentation contains general descriptions and/or technical characteristics of the performance of the products contained herein. This documentation is not intended as a substitute for and is not to be used for determining suitability or reliability of these products for specific user applications. It is the duty of any such user or integrator to perform the appropriate and complete risk analysis, evaluation and testing of the products with respect to the relevant specific application or use thereof. Neither Schneider Electric Industries SAS nor any of its affiliates or subsidiaries shall be responsible or liable for misuse of the information contained herein.

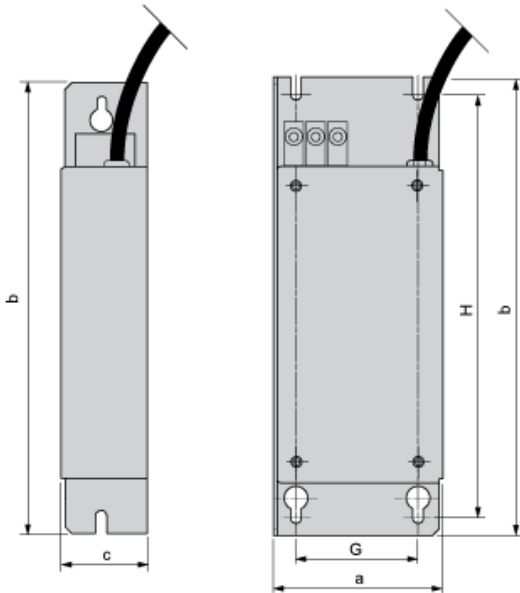
Offer Sustainability

California proposition 65	WARNING: This product can expose you to chemicals including: Lead and lead compounds, which is known to the State of California to cause cancer and birth defects or other reproductive harm. For more information go to www.P65Warnings.ca.gov
REACH Regulation	REACH Declaration
REACH free of SVHC	Yes
EU RoHS Directive	Pro-active compliance (Product out of EU RoHS legal scope) EU RoHS Declaration
Toxic heavy metal free	Yes
Mercury free	Yes
RoHS exemption information	Yes
China RoHS Regulation	China RoHS Declaration

Contractual warranty

Warranty	18 months
----------	-----------

Additional EMC Input Filters



Dimensions in mm

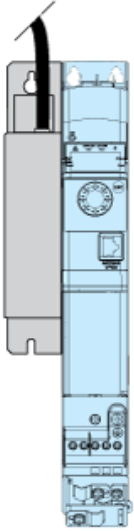
a	b	c	G	H	Ø
107	195	35	85	180	4.5

Dimensions in in.

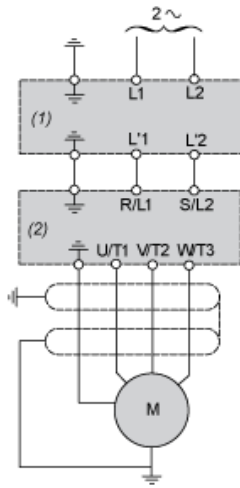
a	b	c	G	H	Ø
4.21	7.68	1.38	3.35	7.09	0.18

Mounting Recommendations

Mounting the Filter on the Side of the Drive



Recommended Schema



- (1) Filter
- (2) Drive