

REVISIONS			
REV	DESCRIPTION	DATE	APPROVED
A	INITIAL RELEASE	21NOV18	J.VIERNES
B	AS PER ECR-086418	26APR19	J.VIERNES

JUMPER TABLE		
JP#	ON	OFF
1		
2		
3		
4		
5		

* SEE ASSEMBLY INSTRUCTIONS

THIS DRAWING IS THE PROPERTY OF ANALOG DEVICES INC. IT IS NOT TO BE REPRODUCED OR COPIED, IN WHOLE OR IN PART, OR USED IN FURNISHING INFORMATION TO OTHERS, OR FOR ANY OTHER PURPOSE DETRIMENTAL TO THE INTERESTS OF ANALOG DEVICES. THE EQUIPMENT SHOWN HEREON MAY BE PROTECTED BY PATENTS OWNED OR CONTROLLED BY ANALOG DEVICES.

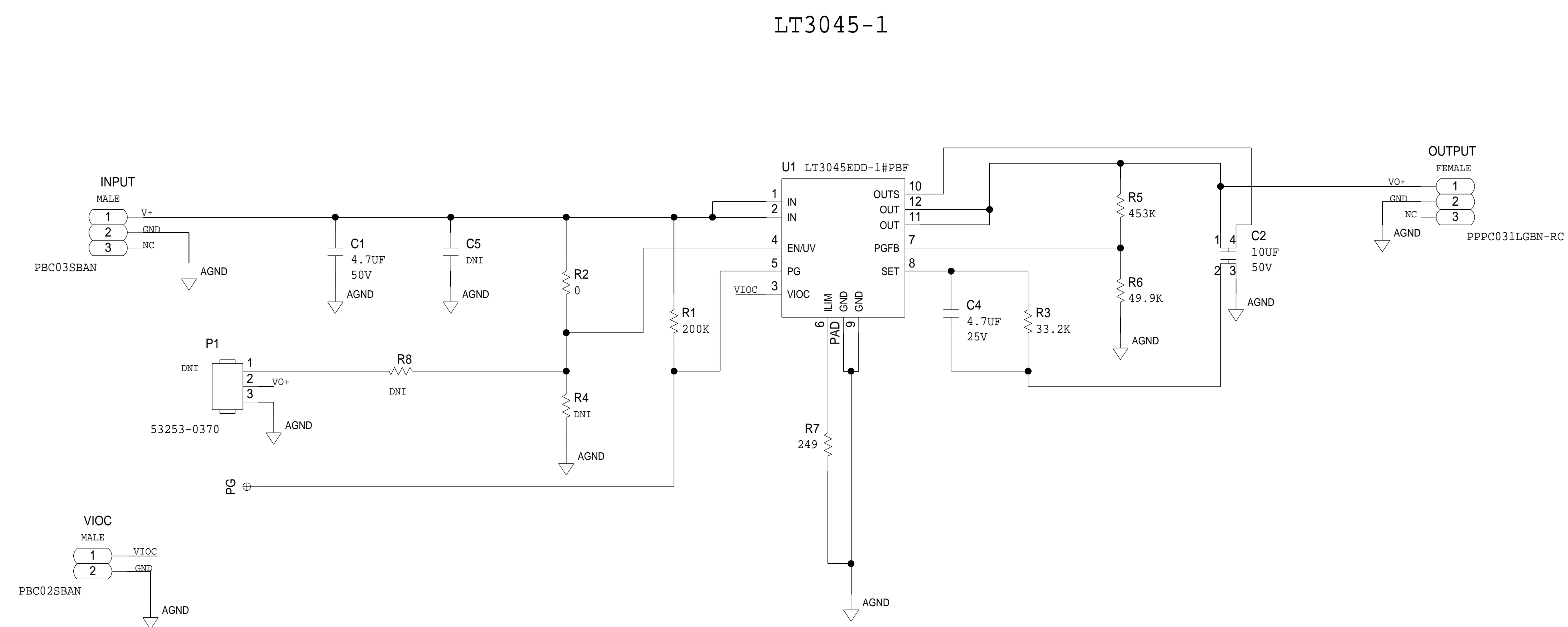
RELAY CONTROL CHART

CONTROL	CODE	DEVICE	FUNCTION	CONNECTOR

P.O SPEC.	BK/BD SPEC.	SOCKET OEM	OEM PART#	HANDLER

TEMPLATE ENGINEER N/A	DATE 21NOV18	SCHEMATIC		
HARDWARE SERVICES M. JOSE	21NOV18	HW TYPE : SCP EVAL-Z Product(s): LT3045 : LT3045		
HARDWARE SYSTEMS N/A		PACKAGE : 12-lead 3X3_MM N/A-family : Pitch-pitch StyleVendor Style		
TEST ENGINEER N/A				
COMPONENT ENGINEER A. CAUILAN-AGENA	21NOV18			
TEST PROCESS N/A				
HARDWARE RELEASE K. JABATAN	21NOV18			
DESIGNER J. PACAMARRA	21NOV18	MASTER PROJECT TEMPLATE TBD	TESTER TEMPLATE no_template	DRAWING NO. 02_051165
PTD ENGINEER J. VIERNES	21NOV18	UNLESS OTHERWISE SPECIFIED DIMENSIONS ARE IN INCHES		REV. B
CHECKER N/A		TOLERANCES DECIMALS X.XX +0.010 X.XXX +0.005		
		FRACTIONS +1/32	ANGLES +2	
		SIZE D	SCALE 1:1	CODE ID NO. CodeID
		SHEET 1	OF 2	

REVISIONS			
REV	DESCRIPTION	DATE	APPROVED



	SCHEMATIC		
	HW TYPE : SCP EVAL-Z Product (s) : LT3045 : LT3045		
	DESIGN VIEW <DESIGN_VIEW>	DRAWING NO. 02_051165	REV B
PTD ENGINEER J. VIERNES	SIZE D	SCALE 1:1	SHEET 2 OF 2