



# **RPSTL48**

## **RemotePro<sup>®</sup>**

### **Remote Power System**

- Wireless Base Stations and Client Devices
- Surveillance Cameras
- Remote Sensors
- Remote Lighting
- Off Grid Electronics



**Congratulations!** on your purchase of the RemotePro<sup>®</sup> off-grid remote power system. Please take a moment to review this Qwik Install Guide before assembly or battery installation.



**DANGER! Voltages in this system can exceed 65VDC and are very dangerous!  
You Can Be Killed!**

When following the instructions in this guide take extreme care to avoid contact with output of solar panels. Only licensed electricians or those with experience working around high voltage should attempt to install.

**Safety:** For your own protection, follow these safety rules.

- **Perform as many functions as possible on the ground**
- **Do not attempt to install on a rainy, windy or snowy day or if there is ice or snow accumulation at the install site or if the site is wet.**
- **Make sure there are no people, pets, etc. below when you are working on a roof or ladder.**



**Recommended Tools:** Phillips & Flat Screwdriver, 17/13/10mm wrench, 8mm nut driver



**Please help preserve the environment and return used batteries to an authorized depot. Most auto parts stores will pay for your used battery.**

# Qwik Install

**STEP 0:** Install mounting pole per separate instructions.

**STEP 1:** Prepare the enclosure: Install DIN rail (if required) to door using two phillips head screws. Install just the top mounting bracket to the enclosure using two 8mm bolts.

**NOTE:** It takes two people to mount the enclosure to a pole. The standard U-Bolt mounting accommodates a pole up to 4" diameter. Multiple pole straps can be used for extra strength. Pole straps are available for poles up to 11" diameter or larger.

**NOTE:** It's a good practice to mount the enclosure under the shade of the solar panel array to help keep the electronics and batteries as cool as possible. This will extend the useable life of the batteries.

**STEP 2:** Install the bottom bracket and stabilizer bracket to the pole using U-Bolt and Pole Straps. The stabilizer bracket is used as an aid to mounting and additional support when mounted.

**STEP 3:** Lift the enclosure and place it on the stabilizer bracket. Connect the top bracket to the pole using U-Bolt and Pole Straps.

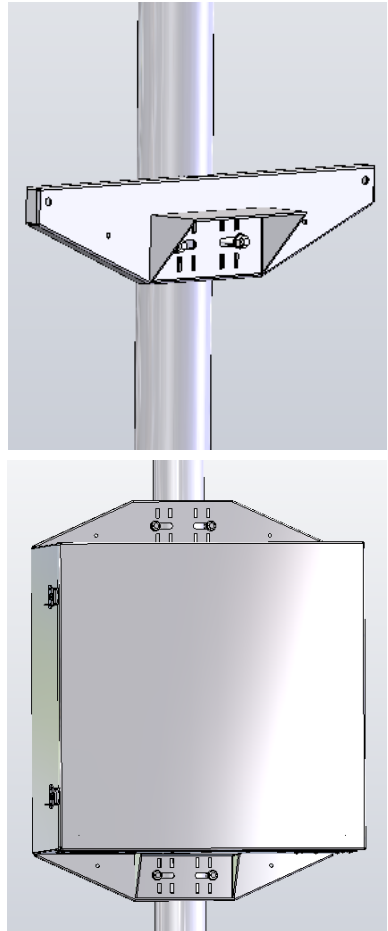
**STEP 4:** Attach The two 8mm bolts that hold the bottom bracket to the enclosure. Make sure all bolts are tight. (8-15 ft lbs)

**STEP 5:** Install the three wire feedthru cable glands in the holes in the bottom of the enclosure. If one or more of the cable glands will not be used, just cut a short piece of cable and tighten in the cable gland to seal it.

**NOTE:** The bottom plate can be removed from the enclosure if you need to add some additional feedthru. (ex; conduit connection)

**STEP 6:** Install the batteries in the enclosure. For 48VDC the batteries are connected in series. (See wiring diagram).

**NOTE:** The enclosure has slot features that can be used to strap the

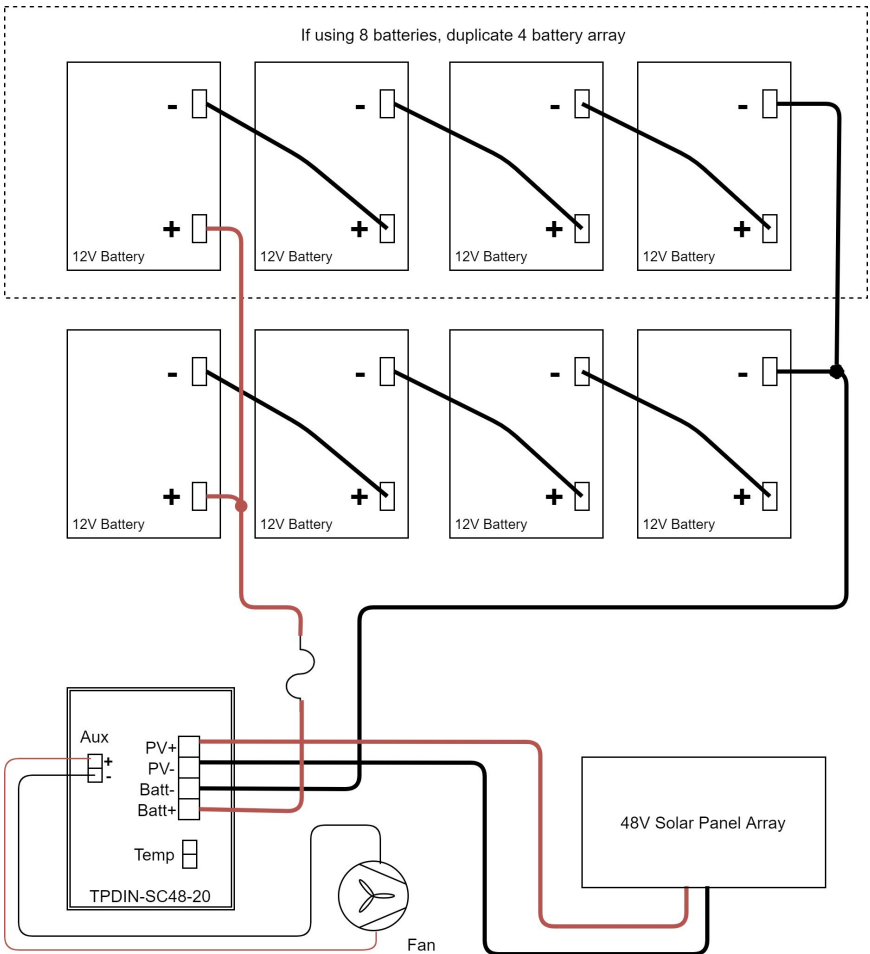


batteries if desired. Tycon has velcro straps available. It takes two straps per battery.



**STEP 7:** Before attaching the battery cables to the batteries, first remove the battery cable fuse. This will prevent accidental short circuit.

Connect all battery minus (-) connections, then connect all battery plus (+) connections.



**WARNING!** The fan supplied with the system operates on 12VDC or 24VDC. It is thermostatically controlled to turn on if temperature exceeds 45C. It cannot be connected to 48V battery voltage. It can be connected to the Aux output of the controller set to 24VDC or it can be connected across one of the batteries in the array.

**STEP 8:** Install the Solar Controller to one of the DIN rail mounts on the inside of the enclosure. To attach, place the bottom of the DIN rail bracket over the bottom of the DIN rail and then push the controller up and over the top of the DIN rail. To remove, reverse the process.



**Note:** Temperature probe should be attached to one of the batteries in order to monitor battery temperature. Connect to either + or -terminal

**STEP 9:** Attach the solar panels to the solar panel mount so that the wire junction box is towards the inside. The solar panels are equipped with integrated cables with MC-4 solar connectors.

**STEP 10:** Wire the solar panels in a 48V configuration. They will be wired in series (See wiring diagram on next page)

**STEP 11:** Remove the large green connector from the controller. Connect the battery wires to the connector BATT inputs. Be sure to pay strict attention to polarity. **CAUTION: Wiring with a reverse polarity can cause equipment damage. Wiring solar panels to BATT input can cause equipment damage.**

Replace the fuse in the battery cable(s) and plug in the large green connector to power up the controller. When the controller is first powered up, the CHARGING LED will light for about 60 seconds.

**! WARNING:** Always connect the battery to the controller first and disconnect the battery last. You can disconnect the battery by removing the cable in-line fuse. When you replace the fuse you may experience a spark. This is normal.

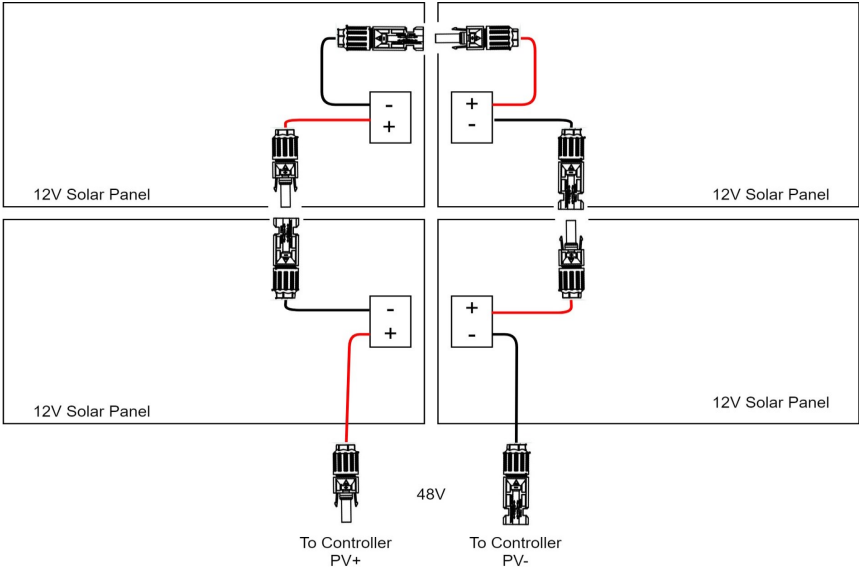
**STEP 12:** Route the long solar panel cable(s) through one of the feedthru in the bottom of the enclosure. This cable can be cut to length. The shorter the cable, the lower the cable losses. Connect the cable - wire to the Solar Controller PV - input. Connect the cable + wire to the solar controller PV + input. Be sure to pay strict attention to polarity. **CAUTION: Wiring with a reverse polarity can cause equipment damage.**

**NOTE:** You can lengthen the solar cable if necessary. Use 12AWG or larger cable. Increasing cable length will increase cable loss.

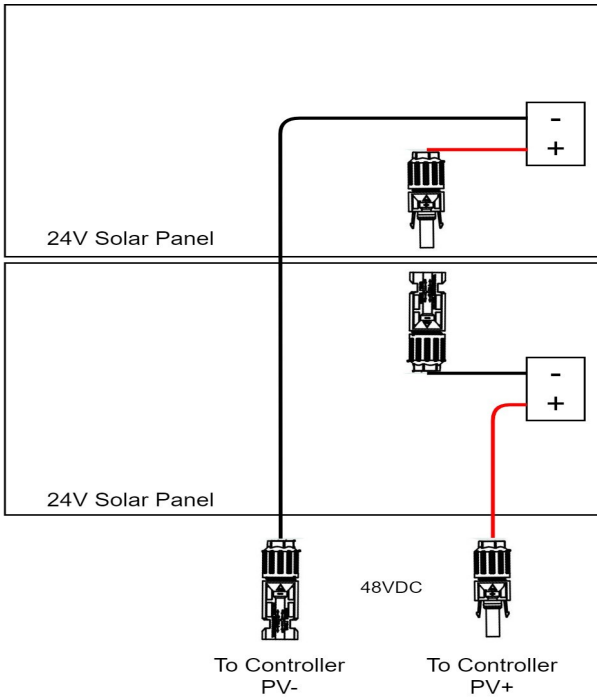
**STEP 13:** Connect the Solar Panel cable from the solar controller to the connectors from the solar panel. Connect - first and + second.

**STEP 14:** Tighten all wire feedthrus. If they don't tighten on a small diameter wire, you can wrap some electrical tape around the wire in the seal area to increase its diameter and make a better seal.

**STEP 15:** Make sure the enclosure door gasket is clean, then close the door making sure all wires are clear. The enclosure can be locked using a standard combination or keyed padlock.



*48V 340W Config using 12V Solar Panels.*



*48V 720W Config using 24V Solar Panels.*

# TECH CORNER

## *Additional Information you may find useful*

1. **CONTROLLER:** The MPPT controller with 7 port PoE gigabit switch is designed for use with 48V battery and 48V solar panels. It has a settable low voltage disconnect function to shut down the load power when the battery voltage drops below a pre-defined level. Maximum solar current is 20A. You will need to access the web interface of the controller to setup the various built-in functions. Refer to the controller user guide which came with the controller.

2. **Fuse:** There is a fuse in-line in the battery cables. If fuse is blown there was some sort of short in the battery connection and the controller will appear dead. Replace with 3AG 6.3 x 32mm 20A Slo-Blo fuse..

3. **VENTING:** The enclosure is vented thru a thermostatically (45C) controlled fan and top and bottom vents. The vents are covered with dust/insect filters. You should add the checking/cleaning of the filters during any routine maintenance cycle but at least annually.

4. **BATTERY MAINTENANCE:** The batteries used in the RemotePro® systems don't require any maintenance. They should last up to 5 years in normal use. **Note: Never store batteries for any length of time in a discharged state or it may kill the battery, especially during cold weather. Always fully charge before storage.**

5. **SOLAR PANEL TILT:** There is a solar panel tilt calculator at the TyconSystems website [calculators.tyconsystems.com](http://calculators.tyconsystems.com). We recommend using a fixed tilt and setting to optimize for winter sun. The panel should face South if you are in the Northern Hemisphere and face North if you are in the Southern Hemisphere. An easy way to calculate winter tilt is to take your latitude and add 15 deg.

6. **BATTERY OVERDISCHARGE:** We highly recommend hooking all equipment loads to the controller load outputs. This output will disconnect the loads if the battery voltage drops below the level that is setup in the user interface, normally around 47V and this will protect the battery from over-discharge. If batteries get completely discharged because the equipment was connected directly to the battery, you will reduce the battery life and you will most likely need to supercharge them with a good quality 10A automotive battery charger. Once they are back to a normal operating range, the integrated charge controller will maintain the charge. Don't charge batteries using an automotive charger for longer than 8hrs or you may damage the battery.

## 7. TROUBLESHOOTING:

A. ***The lights on the solar controller look fine but the batteries aren't charging?*** The battery voltage and solar panel voltage

must match. Check to make sure Solar Panels are wired in series for 48V.

- B. ***There is no voltage output?*** If battery voltage is too low the charge controller will turn off the load outputs. This typically happens when battery voltage falls below around 47V.
- C. ***Why is my solar panel voltage so high?*** Open circuit voltage on a 48V panel array could be as high as 95V. This is normal.
- D. ***My system turns off at night and comes back on in the morning?*** This is a sure sign that the solar panels and/or battery capacity can't support the load. You should measure your actual load and recalculate to make sure you have adequate solar and battery capacity. Make sure there is no shading of solar panels during the day.
- E. ***There is no power at the solar controller?*** Check the battery cable fuse. Check the controller fuse. Measure battery voltage at the solar controller it should be >9V. If less than 9V then batteries will need to be charged with an external charger to bring the voltage up to normal operating range of the controller.

## **NOTES**

# SPECIFICATIONS

Subject to change without notice

	RPSTL48-400-340	RPSTL48-400-720
<b>Battery Capacity</b>	400Ah	400Ah
<b>Rated Load @ peak sun hrs</b>	75W @ 6hrs sun	100W @ 4hrs sun
<b>Reserve Power @ Rated Load</b>	>32hours	>24 hours
<b>Load Voltage (DC)</b>	24V or 48V 200W Maximum Total Load	
<b>Battery Voltage (DC)</b>	48V	
<b>Battery Type</b>	Valve Regulated Sealed Lead Acid / AGM	
<b>Battery Life</b>	5 Years	
<b>Controller Type</b>	48V 20A MPPT Battery Charge Controller with 7 port Gigabit PoE switch and remote management	
<b>Over-discharge protection</b>	45.8V to 47.8 – settable in web interface	
<b>Over-discharge recovery volts</b>	48.1V to 49.2V – settable in web interface	
<b>Controller Self Consumption</b>	3.5W Typical	
<b>Enclosure Type</b>	Powder Coat Steel	
<b>Operating Temperature</b>	-30°C to +60°C	





## **Replacement Parts**

**Solar Controller:** TPDIN-SC48-20

**Batteries:** TPBAT12-52

**340W Solar Mount:** TPSM-80X4-UNI

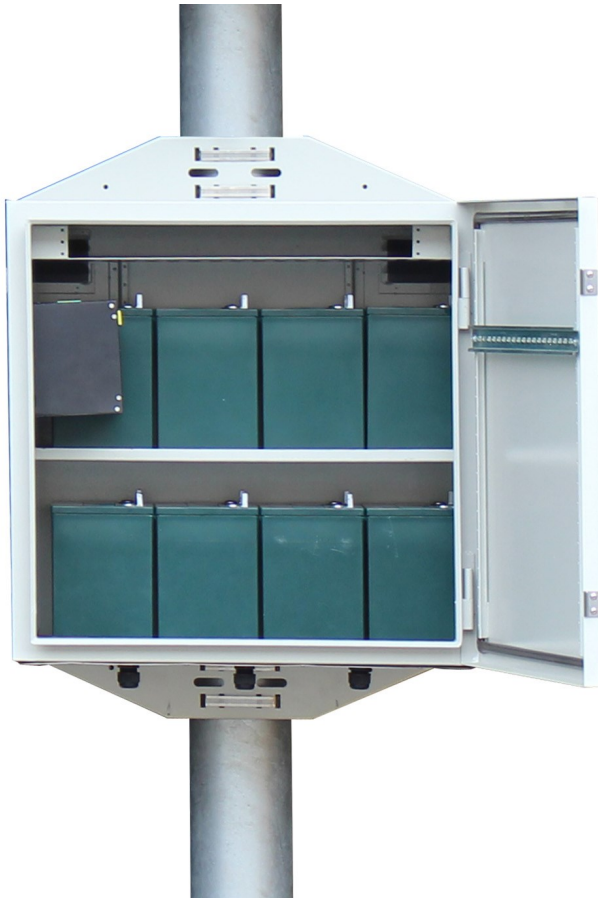
**720W Solar Mount:** TPSM-350x2-TP

**340W Solar Panel Config:** TPS-12-85W Qty 4

**720W Solar Panel Config:** TPS-24-360W Qty 2



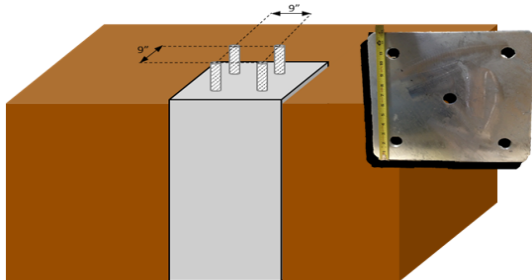
*340W Mount — Qty 4 12V 85W Solar Panel Array*





*720W Mount— Qty 2 24V 360W Solar Panel Array*

Use the 4 J bolts provided cast into a concrete foundation suitable for the location and the expected loads on the structure. Minimum recommended is 1200mm (48") Deep and 600mm (24") square, or about 720cm<sup>3</sup> (8 cubic ft.) The foundation may vary depending on soil and location. It is recommended, and in some locations, required, to seek the advice and or approval of a licensed Professional Engineer familiar with your local codes and requirements prior to construction.



## Limited Warranty

The RemotePro® products are supplied with a limited 36 month warranty which covers material and workmanship defects. This warranty does not cover the following:

- Parts requiring replacement due to improper installation, misuse, poor site conditions, faulty power, etc.
- Lightning or weather damage.
- Physical damage to the external & internal parts.
- Products that have been opened, altered, or defaced.
- Water damage for units that were not mounted according to user manual.
- Usage other than in accordance with instructions and the normal intended use.

Tycon Systems  
14641 S 800 W  
Bluffdale, UT 84065  
support@tyconsystems.com  
PH: 801-432-0003