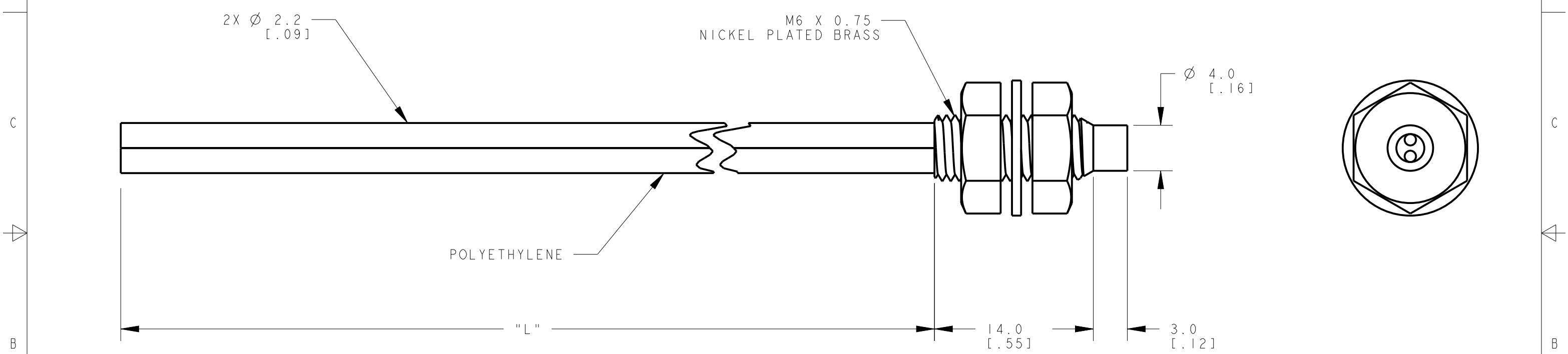


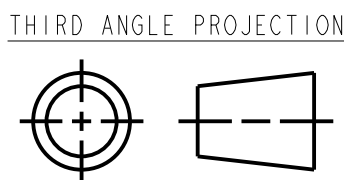
MODEL NO.	"L"	P/N
PBT4.53UHF	160 [6.3]	15008
PBT430UHF	9144 [360]	19072
PBT415UHF	4572 [180]	61197
PBT46UHF	2000 [79]	51784

NOTE:
 1. SUFFIX 'HF' DENOTES HIGH-FLEX FIBER CABLE-VERY SMALL BEND RADIUS PERMISSIBLE BEFORE TRANSMISSION LOSS.



NOTES:
 1. ALL DIMENSIONS ARE MILLIMETERS [INCHES] UNLESS OTHERWISE NOTED.
 2. REFER TO "www.bannerengineering.com" FOR ADDITIONAL DATA AND SPECIFICATIONS.

This drawing is the property of BANNER ENGINEERING CORP. Any use or reproduction, in any form, without prior written permission of Banner is prohibited. © 2015 Banner Engineering Corp.



		BANNER ENGINEERING CORP. www.bannerengineering.com	
TITLE PBT4 SERIES UNTERMINATED HIGH FLEX			
SIZE B	DRAWING NO. 161877	REV. A	
SCALE 3:1		SHEET 1 OF 1	

CREO