



Specifications

Electrical Ratings	50mA @ 50VDC	Dielectric Strength	250Vrms min
Electrical Life	100,000 cycles typical	Insulation Resistance	≥ 100MΩ min
Contact Resistance	≤ 50mΩ initial	Operating Temperature	-40°C to 85°C
Actuation Force	160gF ± 50gF	Storage Temperature	-40°C to 85°C
Actuation Travel	.25 ± 0.1mm	Standard Packaging 3.4mm	1,500 pieces per reel
		5.1mm	1,000 pieces per reel

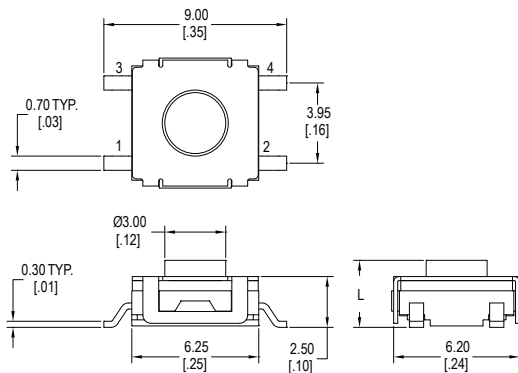
Materials

Actuator	Rubber
Housing	PA6T Nylon
Cover	Steel
Contacts	Phosphor Bronze, Silver Clad
Terminals	Brass, Silver Plated

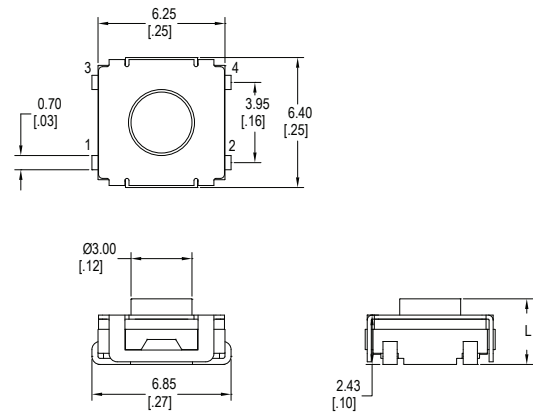
Ordering Information

1. Series	CS3304	3.4	G
	CS3304		
2. Actuation Length "L"			
	3.4 = 3.4mm		
	5.1 = 5.1mm		
3. Terminal Options			
	G = Gull Wing		
	J = J Lead		

Dimensions

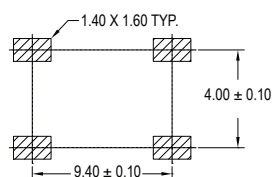
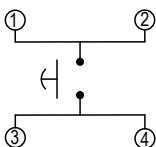


CS3304G

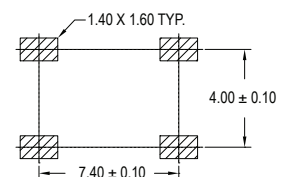


CS3304J

Schematic & PC Layout



CS3304G



CS3304J