

LAYOUT SHOWN AS EXAMPLE

Keying Shown as example

**CHARACTERISTICS**

- Standard : Based on MIL-DTL-38999 Series III
- Shell Material : Stainless Steel
- Shell Plating : Nickel
- Insulator : Thermoplastic
- Contacts : Copper Alloy
- Seals & Grommet : Silicon Elastomer
- Contact Plating : Gold over copper Alloy 0.8µm minimum
- Durability : 500 Mating cycles
- Delivered with Souriau contacts and Accessories
- Temperature Range : -65°C to +200°C
- Salt Spray : 500 hours

Connector dimension	
Dim	Nominal
A	58.7±0.3
B	42.85+0.1/-0.15
R	32.5Max
S	55.6±0.4
W	3+0.9/-0.1
VV THREAD	M37x1-6g

SOURIAU shall not be liable for any non-conformity or damage due to a use of the Products which does not comply with the Specifications issued by either of the Parties or by a third party (professional recommendation, technical notice.)

Country	Jurisdiction & Control List
FR	Not Listed

**PN: 8D725S04BB**

A	04-10-2016	First Release	
ISS	DATE	Latest modification - by	MOD N°
Designed By:		Date:	<b>CUSTOMER DRAWING</b>

<b>TITLE</b>	<b>Stainless Steel Receptacle 8D series</b>		
--------------	---	--	--

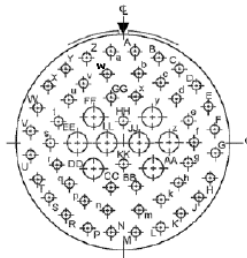
SCALE		General linear Tolerances:	NPRDS / PROJECT
NA		±--	<b>859</b>

<b>SOURIAU</b>	<b>WWW.SOURIAU.COM</b>	This document is the property of SOURIAU it must not be reproduced or communicated without permission
----------------	------------------------	---

FORMAT	<b>SOURIAU DRG N° 8D725S04BB-C</b>	SHEET
<b>A3</b>		<b>1/2</b>

BASIC SERIES:	8D	7	-	25	S	04	B	B	ORIENTATION : B
SHELL TYPE :	Jam nut Receptacle								
CONTACT TYPE :	Standard Crimp Contact								
SHELL SIZE :	25								
PLATING :	S = Nickel								
	CONTACT TYPE : SOCKET(500 Matings)								
	CONTACT LAYOUT : 25-04								

Contact Layout



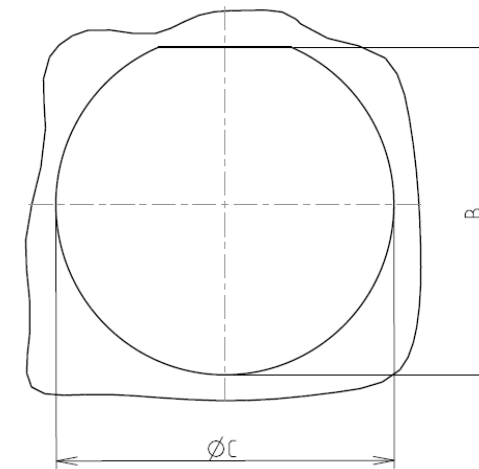
Contact position ID	Location		Contact position ID	Location	
	X-axis (mm)	Y-axis (mm)		X-axis (mm)	Y-axis (mm)
A	+069 (1.75)	+531 (13.49)	f	+412 (10.46)	+000 (0.00)
B	+203 (5.16)	+495 (12.57)	g	+377 (9.58)	-132 (3.35)
C	+324 (8.23)	+425 (10.80)	h	+311 (7.90)	-251 (6.38)
D	+424 (10.77)	+326 (8.28)	k	+212 (5.38)	-344 (8.74)
E	+493 (12.52)	+205 (5.21)	m	+086 (2.18)	-397 (10.08)
F	+531 (13.49)	+069 (1.75)	n	-086 (2.18)	-397 (10.08)
G	+531 (13.49)	-069 (1.75)	p	-212 (5.38)	-344 (8.74)
H	+493 (12.52)	-205 (5.21)	q	-311 (7.90)	-251 (6.38)
J	+424 (10.77)	-326 (8.28)	r	-377 (9.58)	-132 (3.35)
K	+324 (8.23)	-425 (10.80)	s	-412 (10.46)	+000 (0.00)
L	+203 (5.16)	-495 (12.57)	t	-377 (9.58)	+132 (3.35)
M	+069 (1.75)	-531 (13.49)	u	-311 (7.90)	+251 (6.38)
N	-069 (1.75)	-531 (13.49)	v	-212 (5.38)	+344 (8.74)
P	-203 (5.16)	-495 (12.57)	w	-086 (2.18)	+397 (10.08)
R	-324 (8.23)	-425 (10.80)	x	+069 (1.75)	+263 (6.68)
S	-424 (10.77)	-326 (8.28)	y	+172 (4.37)	+149 (3.78)
T	-493 (12.52)	-205 (5.21)	z	+258 (6.55)	+000 (0.00)
U	-531 (13.49)	-069 (1.75)	AA	+172 (4.37)	-149 (3.78)
V	-531 (13.49)	+069 (1.75)	BB	+069 (1.75)	-263 (6.68)
W	-493 (12.52)	+205 (5.21)	CC	-069 (1.75)	-263 (6.68)

Contact position ID	Location		Contact position ID	Location	
	X-axis (mm)	Y-axis (mm)		X-axis (mm)	Y-axis (mm)
X	-424 (10.77)	+326 (8.28)	DD	-172 (4.37)	-149 (3.78)
Y	-324 (8.23)	+425 (10.80)	EE	-258 (6.55)	+000 (0.00)
Z	-203 (5.16)	+495 (12.57)	FF	-172 (4.37)	+149 (3.78)
a	-069 (1.75)	+531 (13.49)	GG	-069 (1.75)	+263 (6.68)
b	+086 (2.18)	+397 (10.08)	HH	+000 (0.00)	+132 (3.35)
c	+212 (5.38)	+344 (8.74)	JJ	+086 (2.18)	+000 (0.00)
d	+311 (7.90)	+251 (6.38)	KK	+000 (0.00)	-132 (3.35)
e	+377 (9.58)	+132 (3.35)	LL	-086 (2.18)	+000 (0.00)

Shell size	Arrangement no.	Number of contacts	Size contacts	Service rating	Contact location	Supersedes
25	-4	8	16	I	y, z, AA, DD, EE, FF, LL, JJ	MS20057-4
		48	20		All others	

Panel cutout

JAM NUT RECEPTACLE (TYPE 7)



Dim	Nominal
B	43.43+0/-0.25
ØC	44.7+0.25/-0

SOURIAU shall not be liable for any non-conformity or damage due to a use of the Products which does not comply with the Specifications issued by either of the Parties or by a third party (professional recommendation, technical notice.)

Country	Jurisdiction & Control List
FR	Not Listed

PN: 8D725S04BB

A	04-10-2016	First Release	
ISS	DATE	Latest modification - by	MOD N°
Designed By:		Date:	CUSTOMER DRAWING
<b>TITLE</b>		Stainless Steel Receptacle 8D series	
SCALE		General linear Tolerances:	NPRDS / PROJECT
NA		±--	<b>859</b>
<b>SOURIAU</b>		WWW.SOURIAU.COM	
		This document is the property of SOURIAU it must not be reproduced or communicated without permission	
FORMAT	SOURIAU DRG N°		SHEET
<b>A3</b>	<b>8D725S04BB-C</b>		<b>2/2</b>