

DESCRIPTION: POWER / SIGNAL - SOLDER CUP - FEMALE

**SPECIFICATIONS:**

**ELECTRICAL:**

INSULATOR RESISTANCE: 5 G OHMS Min.  
 DIELECTRIC WITHSTANDING: 1,000 VAC for 1 MINUTE  
 OPERATING TEMPERATURE: -55° C ~ +155° C  
 POWER CONTACT RESISTANCE: 1.0 Milliohms Max.  
 SIGNAL CONTACT RESISTANCE: 2.7 Milliohms Max.  
 POWER PINS: SEE PART No. BELOW  
 SIGNAL PINS: 5 AMPS

**MECHANICAL:**

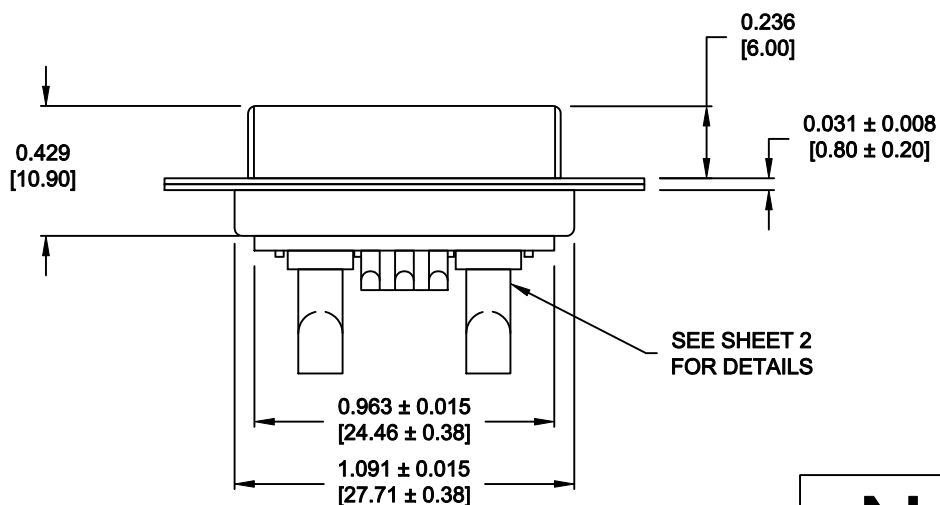
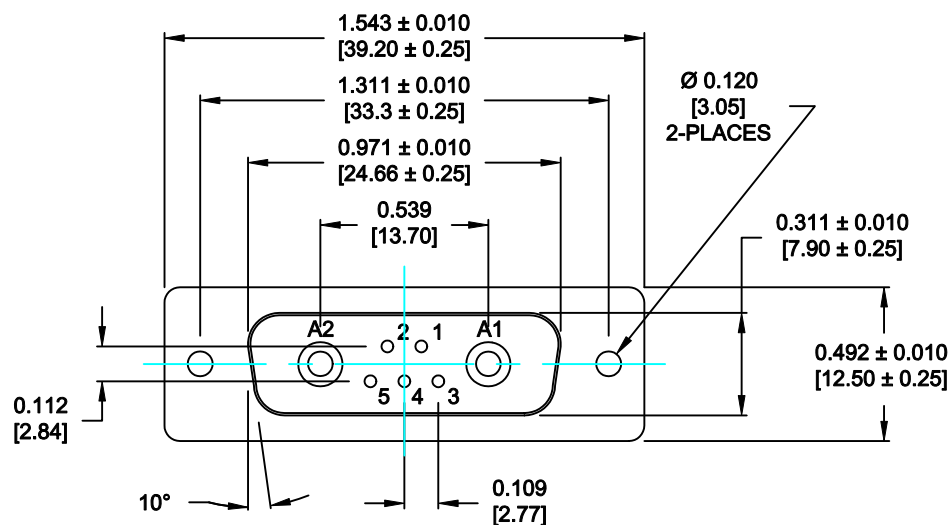
CONTACT INSERTION FORCE: 4.5 Kg Max.  
 CONTACT SEPARATOR FORCE: 0.3Kg Min.

**MATERIALS:**

CONTACTS: COPPER ALLOY  
 INSULATOR: PBT UL94V-0 RATED, BLK  
 230°C PROCESS TEMP.  
 SHELL: STEEL  
 SEAL: F04 FLEXIBLE ADHESIVE

**FINISH:**

SHELL: NICKEL  
 CONTACTS: FULL GOLD FLASH




**680S7W2203LYY1**

20 = 20 AMPS  
 40 = 40 AMPS

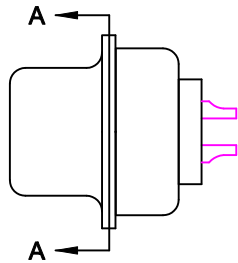
**MEETS IP67 STANDARDS**

(SEE PAGE 2 FOR SEALING DETAILS)

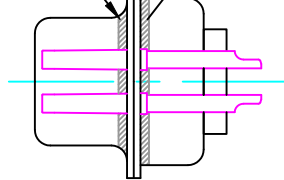
**RoHS COMPLIANT**

	THESE DRAWINGS AND SPECIFICATIONS ARE THE PROPERTY OF NorComp AND SHALL NOT BE REPRODUCED, COPIED OR USED AS THE BASIS FOR THE MANUFACTURE OF SALE OF APPARATUS WITHOUT WRITTEN PERMISSION.		DRAWN: <b>P. JENKINS</b>	DATE: <b>9-13-11</b>
			CHECKED: <b>X</b>	DATE: <b>X</b>
<h1>NorComp</h1>		SCALE: <b>N.T.S.</b>	SHEET OF <b>1 2</b>	REV <b>0</b>
		DWG NO. <b>680S7W2203LYY1</b>		

DESCRIPTION: 680 SERIES CONTACTS

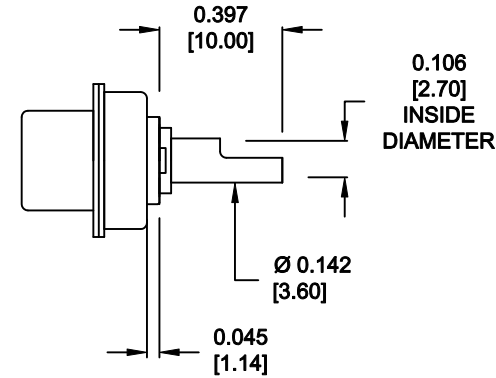


FRONT SEAL APPLIED BETWEEN FRONT INSULATOR AND FRONT METAL SHELL  
 MIDDLE SEAL APPLIED BETWEEN FRONT INSULATOR AND BACK INSULATOR

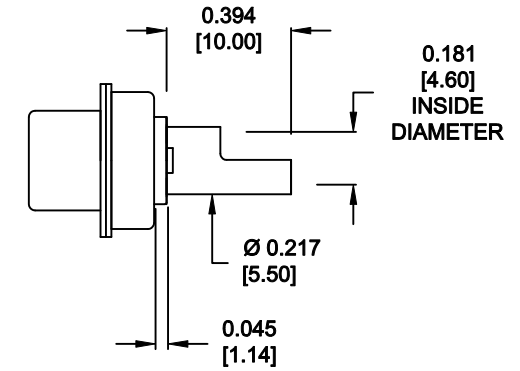


DETAIL A-A  
 SHOWN FOR REFERENCE ONLY

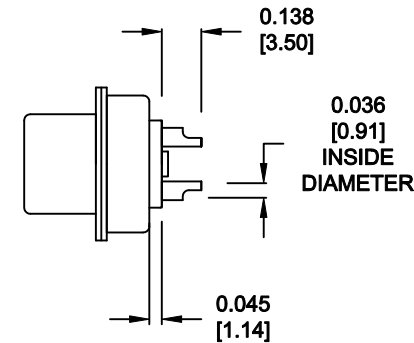
NOTE: SIGNAL AND POWER CONTACTS COME PRE-LOADED INTO INSULATORS



20 AMP POWER CONTACTS  
 ACCEPTS UP TO 12 AWG WIRE



40 AMP POWER CONTACTS  
 ACCEPTS UP TO 8 AWG WIRE



SIGNAL CONTACTS  
 ACCEPTS UP TO 20 AWG WIRE



THESE DRAWINGS AND SPECIFICATIONS ARE THE PROPERTY OF NorComp AND SHALL NOT BE REPRODUCED, COPIED OR USED AS THE BASIS FOR THE MANUFACTURE OF SALE OF APPARATUS WITHOUT WRITTEN PERMISSION.

DRAWN: <b>P. JENKINS</b>		DATE: <b>9-13-11</b>	
CHECKED: <b>X</b>		DATE: <b>X</b>	
SCALE: <b>N.T.S.</b>	SHEET <b>2</b>	OF <b>2</b>	REV <b>0</b>
DWG NO. <b>680S7W2203LYY1</b>			

**NorComp**

RoHS COMPLIANT