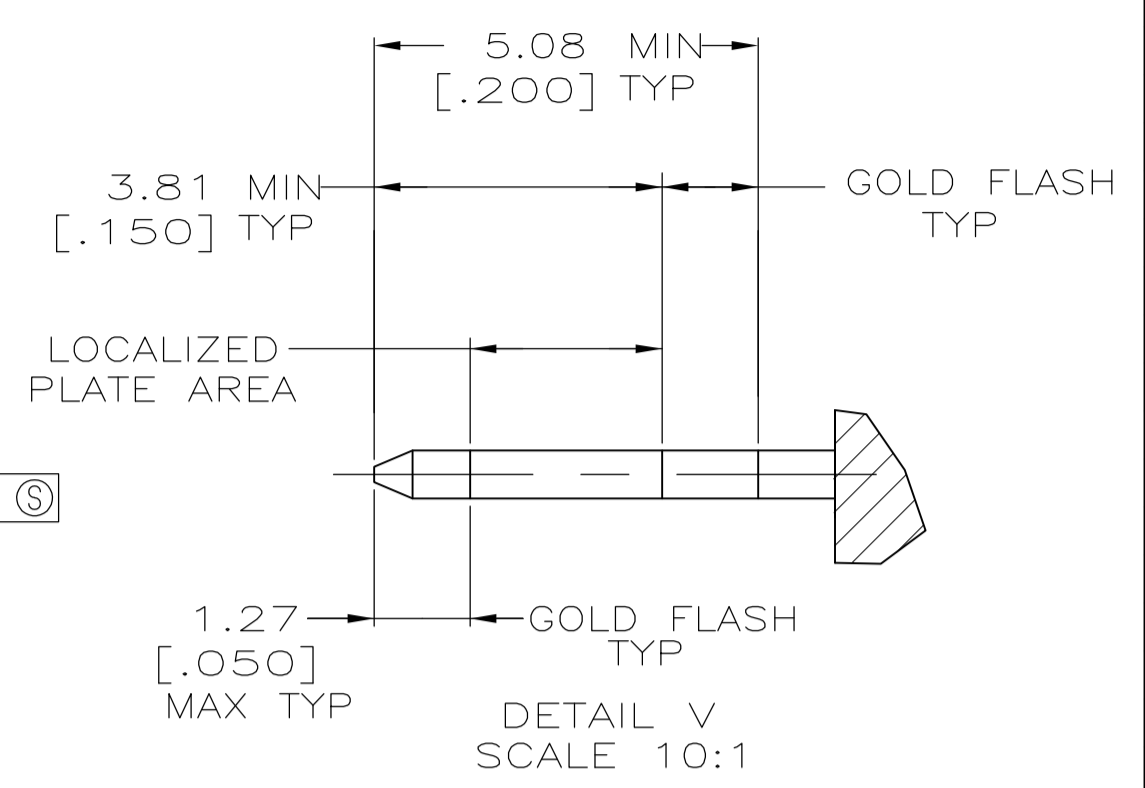
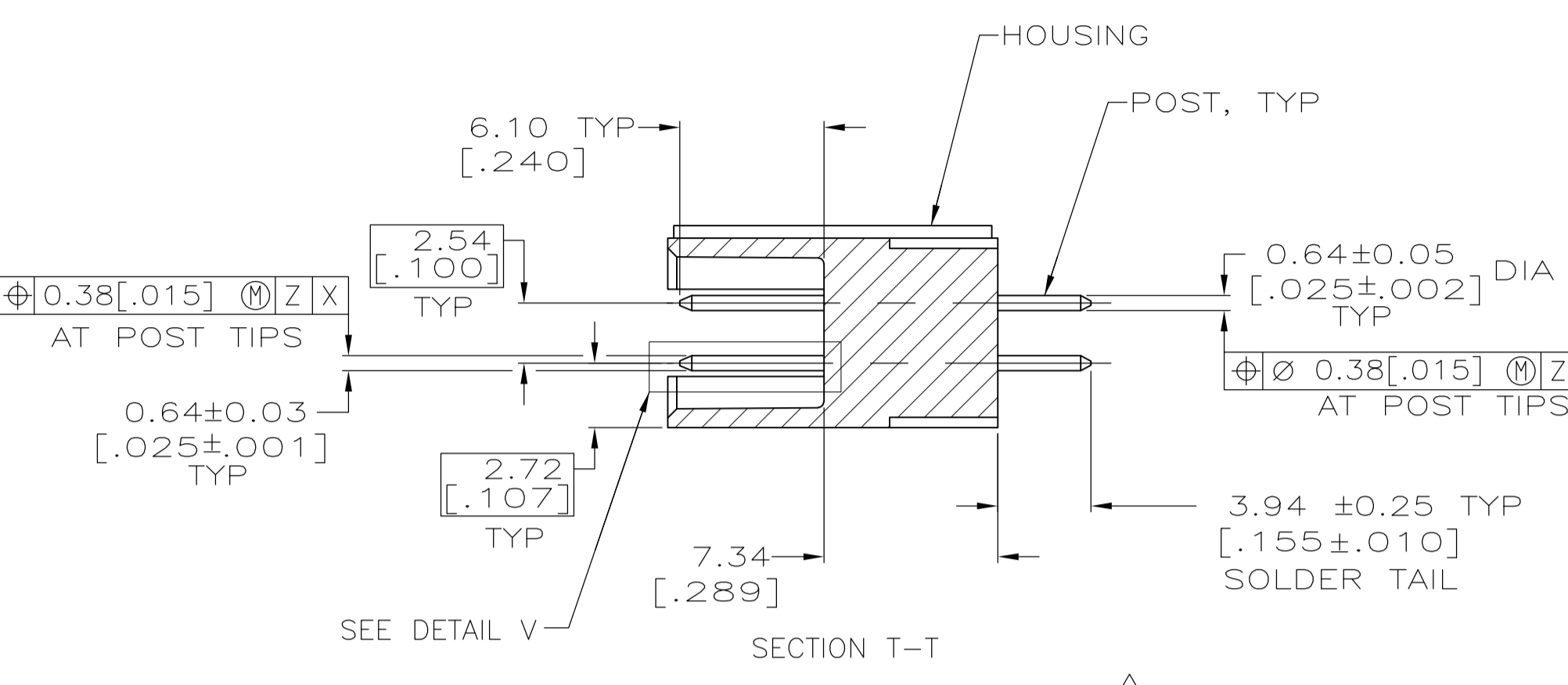
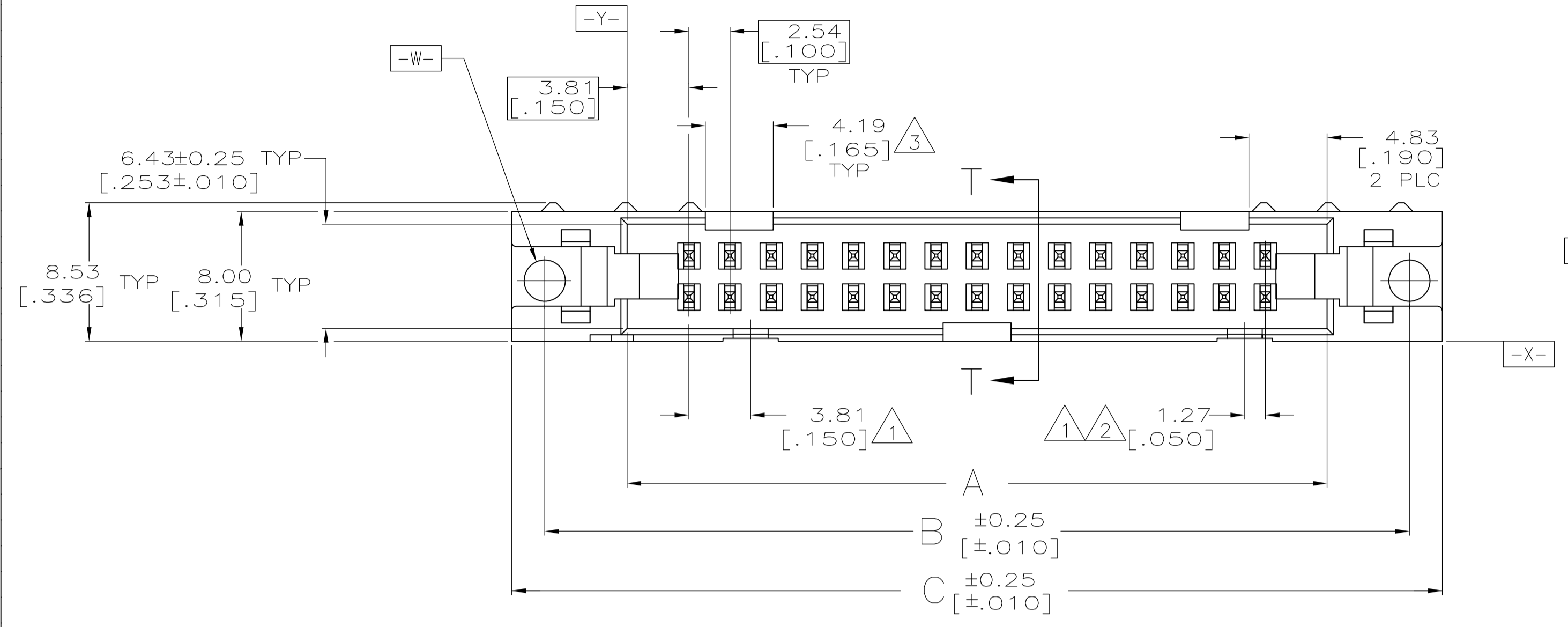
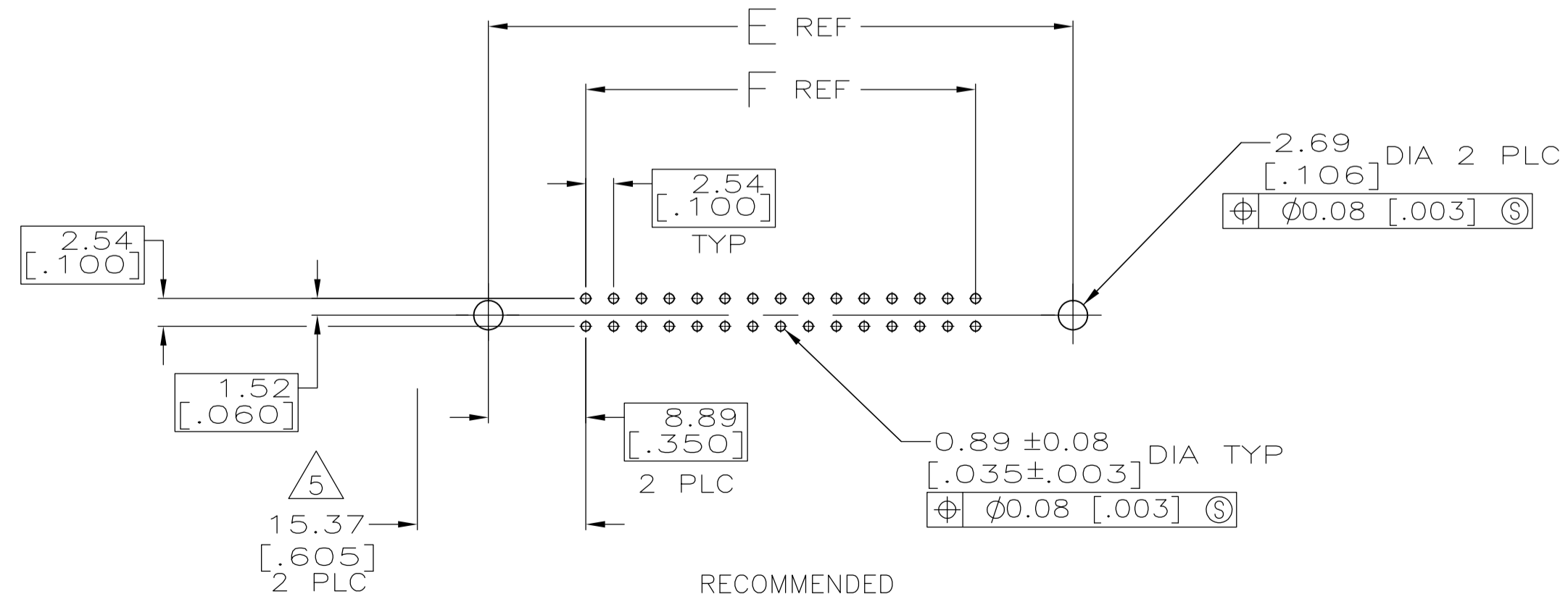
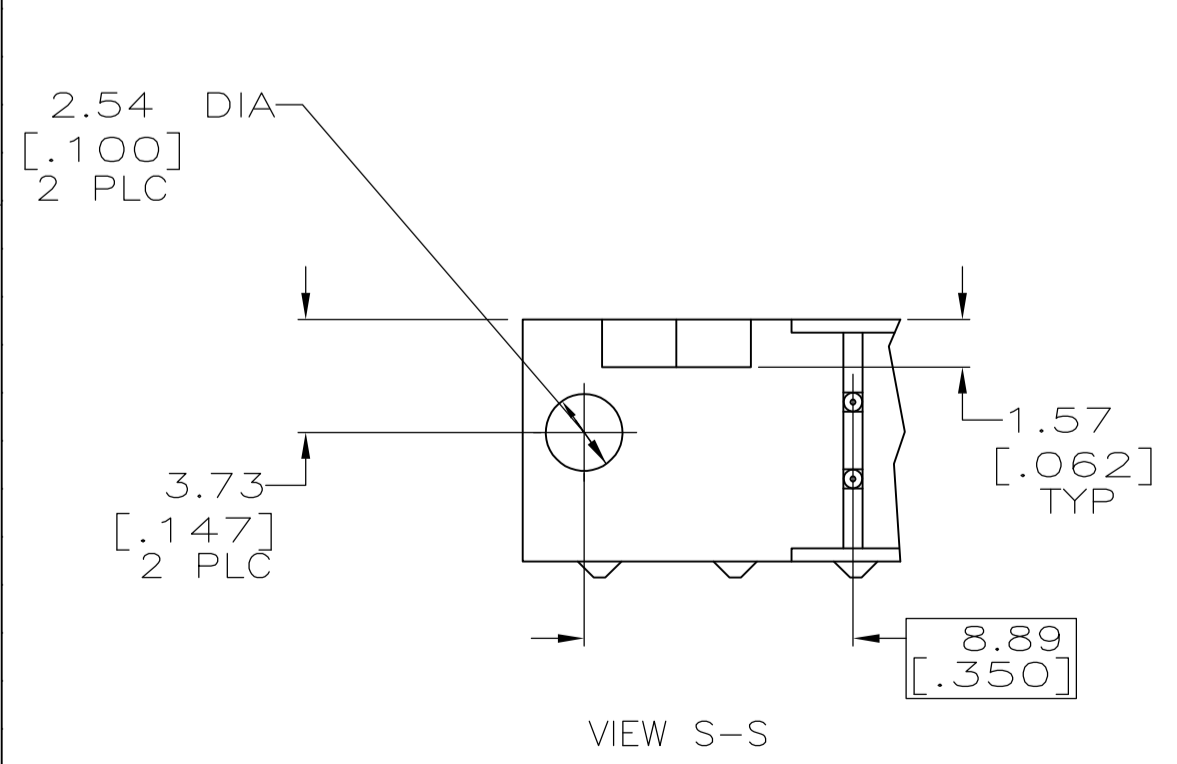
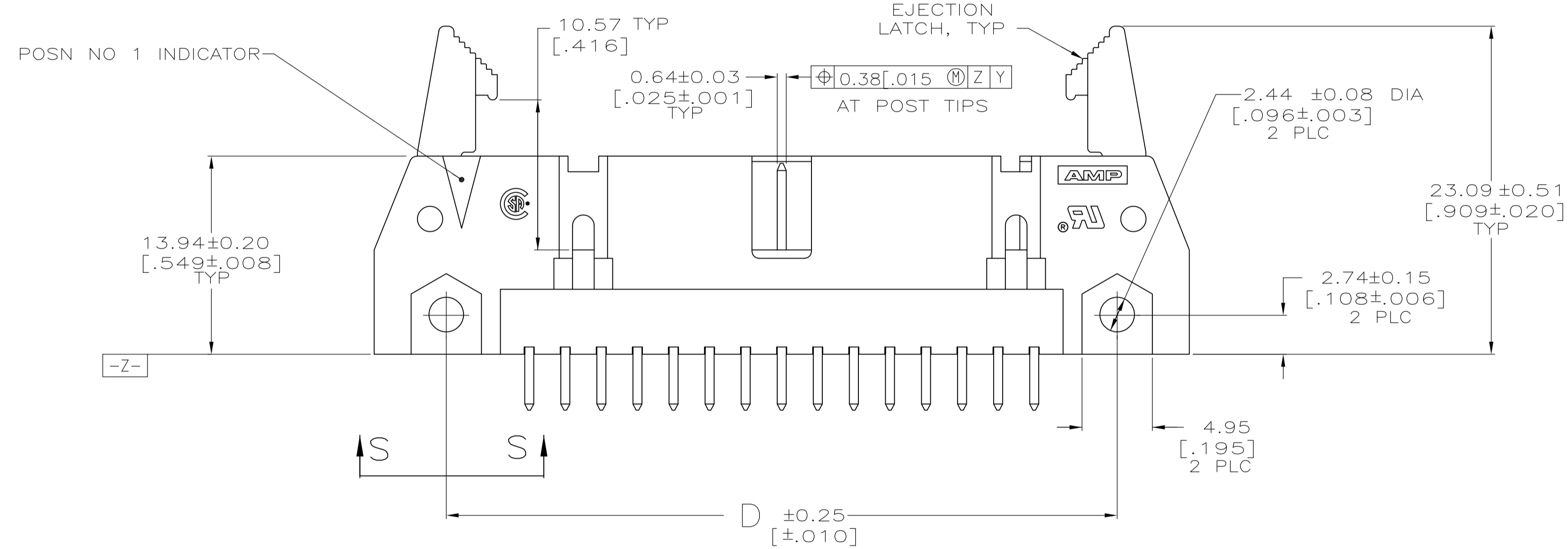


EJECTION LATCHES OMITTED IN THIS VIEW FOR CLARITY



- 1 COORDINATE DIMENSION APPLIES FROM BASIC LOCATION.
- 2 10 AND 14 POSITION SIZES CONTAIN ONLY ONE SLOT FOR SNAP-IN POLARIZER (MILITARY POLARIZATION) LOCATED AS SHOWN.
- 3 10 POSITION SIZES CONTAIN ONLY ONE SLOT FOR DUAL POLARIZATION, LOCATED AS SHOWN.
- 4 RECOMMENDED PRINTED CIRCUIT BOARD THICKNESS IS 3.18 [.125].
- 5 DISTANCE REQUIRED BY EJECTION LATCHES IN THE OPEN POSITION.
- 6 POSTS:
 GOLD FLASH OVER PALLADIUM-NICKEL PLATE, 0.38 μm [.000015] MIN TOTAL ON THE LOCALIZED PLATE AREA,
 2.54 μm [.000100] MIN TIN-LEAD PLATE ON THE SOLDER-TAIL,
 1.27 μm [.000050] MIN NICKEL UNDERPLATE ON THE ENTIRE POST.
 OR
 0.38 μm [.000015] MIN GOLD PLATE ON THE LOCALIZED PLATE AREA,
 2.54 μm [.000100] MIN TIN-LEAD PLATE ON THE SOLDER-TAIL,
 1.27 μm [.000050] MIN NICKEL UNDERPLATE ON THE ENTIRE POST.
- 7 MATERIAL:
 HOUSING: GLASS FILLED NYLON OR POLYESTER, 94V-0 RATED, BLACK.
 POSTS: BRASS.
- 8 OBSOLETE PARTS: OBSOLETE CIS STREAMLINING PER D.RENAUD/D.SINISI



	OBSELETE	-	-	53.34	71.12	65.02	75.18	71.12	60.96		
OBSELETE	-	-	-	[2.100]	[2.800]	[2.560]	[2.960]	[2.800]	[2.400]	44	1-499911-3
SUPERSEDED BY 1-102156-2	1-102156-2	102312-1	-	78.74	96.52	90.42	100.58	96.52	86.36	64	1-499911-2
SUPSD BY 1-499374-1	-	-	-	[3.100]	[3.800]	[3.560]	[3.960]	[3.800]	[3.400]	60	1-499911-1
OBSELETE	-	-	-	60.96	78.74	72.64	82.80	78.74	68.58	50	1-499911-0
SUPERSEDED BY 5499911-9	-	-	-	[2.400]	[3.100]	[2.860]	[3.260]	[3.100]	[2.700]	40	499911-9
OBSELETE	-	-	-	48.26	66.04	59.94	70.10	66.04	55.88	34	499911-8
SUPERSEDED	-	-	-	[1.600]	[2.300]	[2.060]	[2.460]	[2.300]	[1.900]	30	499911-7
SUPSD BY 499374-6	-	-	-	35.56	53.34	47.24	57.40	53.34	43.18	26	499911-6
OBSELETE	-	-	-	[1.400]	[2.100]	[1.860]	[2.260]	[2.100]	[1.700]	24	499911-5
OBSELETE	-	-	-	30.48	48.26	42.16	52.32	48.26	38.10	20	499911-4
OBSELETE	-	-	-	[1.200]	[1.900]	[1.660]	[2.060]	[1.900]	[1.500]	16	499911-3
OBSELETE	-	-	-	27.94	45.72	39.62	49.78	45.72	35.56	14	499911-2
SUPSD BY 499374-2	-	-	-	[1.100]	[1.800]	[1.560]	[1.960]	[1.800]	[1.400]	10	499911-1
OBSELETE	-	-	-	15.24	33.02	26.92	37.08	33.02	22.86		
OBSELETE	-	-	-	[.600]	[1.300]	[1.060]	[1.460]	[1.300]	[.900]		
OBSELETE	-	-	-	10.16	27.94	21.84	32.00	27.94	17.78		
OBSELETE	-	-	-	[.400]	[1.100]	[.860]	[1.260]	[1.100]	[.700]		
HEADER QTY: 1	LATCHES QTY: 2	F	E	D	C	B	A	NO OF POSN	PART NUMBER		
SUPERSEDED BY											

THIS DRAWING IS A CONTROLLED DOCUMENT. H.MOLL 4-23-90 R.STONE 11-28-90 Tyco Electronics Tyco Electronics Corporation Harrisburg, PA 17105-3608

DIMENSIONS: mm [INCHES]	TOLERANCES UNLESS OTHERWISE SPECIFIED:	PRODUCT SPEC	NAME
0 PLC ± .01	1 PLC ± .02	108-40018	HEADER ASSY, UNIVERSAL, AMP-LATCH
2 PLC ± .03	3 PLC ± .05	APPLICATION SPEC	SIZE
4 PLC ± .07	ANGLES ± .5		A1
MATERIAL	FINISH	WEIGHT	00779 499911
		CUSTOMER DRAWING	SCALE 4:1 SHEET 1 of 1 REV P