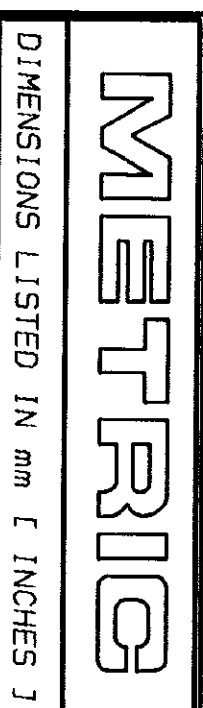
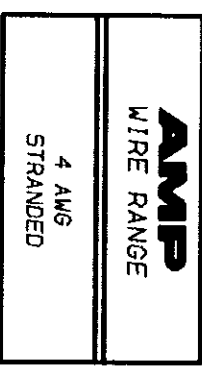


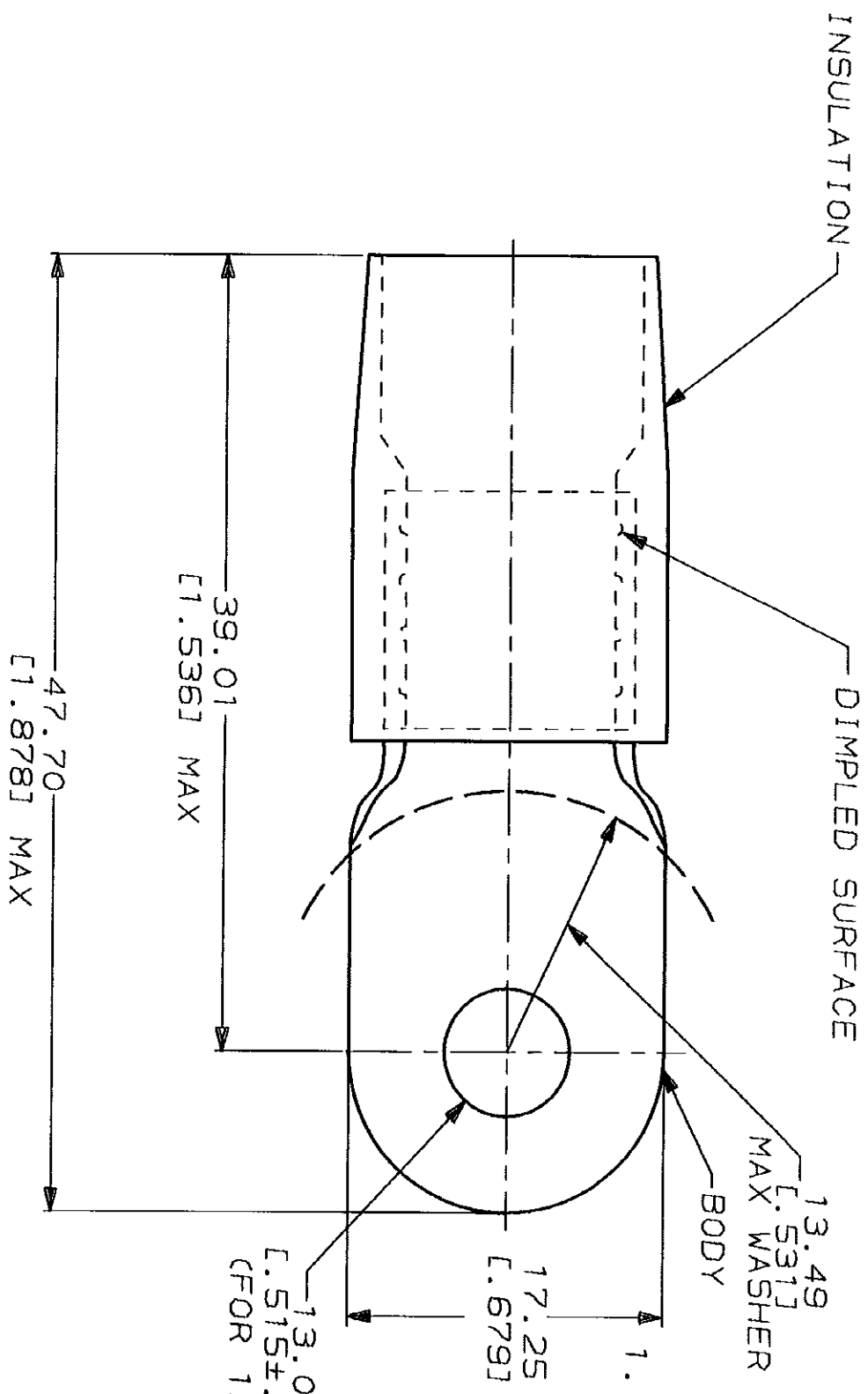
THIS DRAWING IS UNPUBLISHED. RELEASED FOR PUBLICATION BY AMP INCORPORATED. ALL INTERNATIONAL RIGHTS RESERVED. © COPYRIGHT 19

LOC	DIST	P	F	ZONE	LTR	DESCRIPTION	DATE	APPD
G	14			G	EC	0720-0279-93	6-18-93	BB

REVISIONS	
DESCRIPTION	DATE
	6-18-93



1. TONGUE MATERIAL THK 1.22±0.08 [0.048±.003] FOR 9.70 [0.382] MAX WIRE INS DIA



AMP INCORPORATED
CUSTOMER SERVICE SYSTEMS

FOR ADDITIONAL PRODUCT INFORMATION OR COPIES OF DRAWINGS AND TECHNICAL DOCUMENTS	1-800-522-6752	PRODUCT INFORMATION CENTER
FOR APPLICATION TOOLING INFORMATION	1-800-722-1111	TOOLING ASSISTANCE CENTER
FOR ORDER ENTRY	1-800-526-5142	

MAX RECOMMENDED OPERATING TEMPERATURE:	105 °C
VOLTAGE RATING:	-
CIRCULAR MIL AREA:	16.8-26.7mm² [33, 100-52, 600] STRANDED

DO NOT SCALE PRINT. UNLESS SPECIFIED OTHERWISE	DR 6/93
TOLERANCES ON:	SS GOLDEN
2 PLC DEC ± 0.201 (008)	CHK 6/93
3 PLC DEC ± -	R HERSEY
ANGLES ± -	APPD 6/93
MATERIAL	B BARE
COPPER PER ASTM B-152	APPD 6/93
NYLON (MIL-M-20693) TYPE 1	M ELLIS
COLOR: YELLOW	PRODUCT SPEC
FINISH	APPLICATION SPEC
TIN PLATE PER MIL-T-10727	WEIGHT -

LOOSE PC	324114	PART NO
PACKAGE TYPE	AMP Incorporated	
NAME	Harrisburg, PA 17105-3608	
TERMINAL, RING TONGUE, TERMINYL		
WIRE SIZE: 4 AWG		
SIZE	B	
CAGE CODE	00779	DRAWING NO
SCALE	NTS	324114
		SHEET
		1 OF 1

AMP 1470-15 REV 3-92 19 AUG 1993 13:50:02 AMP12368 <UJ128A>DEPT1132>U.DWG1132>U.RBY>U.TERMINYL>U.CUST CUSTOMER DRAWING