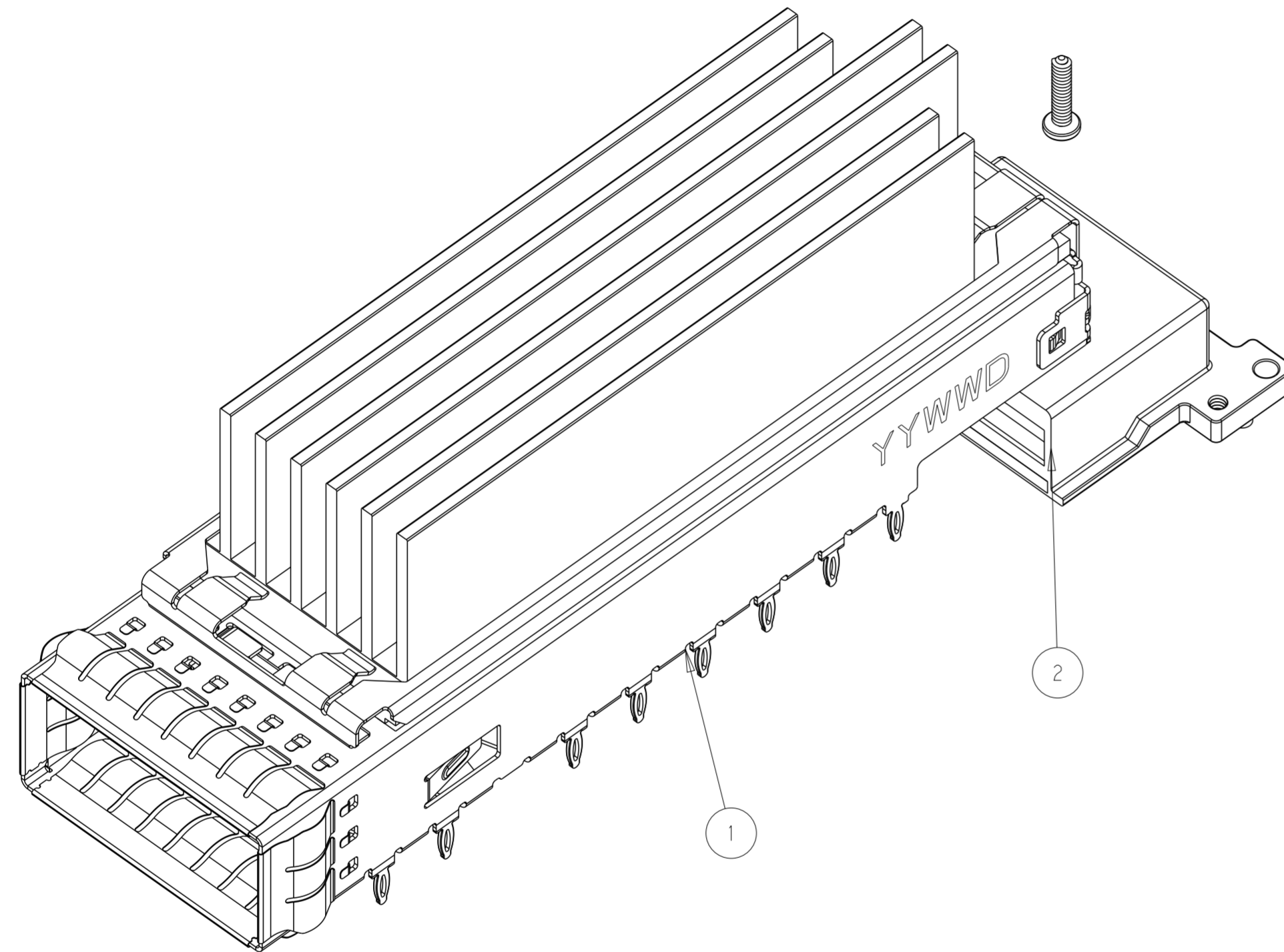


THIS DRAWING IS UNPUBLISHED. RELEASED FOR PUBLICATION 20
 © COPYRIGHT 20 BY - ALL RIGHTS RESERVED.

REVISIONS					
P	LTR	DESCRIPTION	DATE	DWN	APVD
1		PRELIMINARY DRAWING	16JUN2015	AD	SH
2		REVISE BOM	25JUN2015	AD	SH
3		REVISE HEAT SINK	10JULY2015	AD	SH
4		REVISED PER ECN-22-167680	03AUG2022	AK	SZ



- 1. MATERIAL : CAGE : 0.3MM THICK NICKEL SILVER ALLOY;
EMI SPRING: COPPER ALLOY;
HEAT SINK CLIP: STAINLESS STEEL;
HEAT SINK: ALUMINUM ALLOY;
RECEPTACLE COVER: ZINC ALLOY;
- 2. FINISH: EMI SPRING -1.27um NICKEL PLATING OVER ALL;
HEAT SINK: BLACK ANODIZED COATING;
RECEPTACLE COVER: 1.27um MIN NICKEL PLATING OVER COPPER PLATING;
HEAT SINK CLIP: PASSIVATE;
- 3. MATES WITH CFP MSA COMPLIANT TRANSCEIVERS.
- 4. DATUM AND BASIC DIMENSION ESTABLISHED BY CUSTOMER.
- 5. MINIMUM PC BOARD THICKNESS: SINGLE SIDE APPLICATIONS=2.99±0.63mm.
- 6. PADS AND VIAS CHASSIS GROUND;
- 7. REFERENCE APPLICATION SPEC 114-XXXX, HOLE A, FOR RECOMMENDED DRILL HOLE DIAMETER AND PLATING THICKNESS.

O B S O L E T E

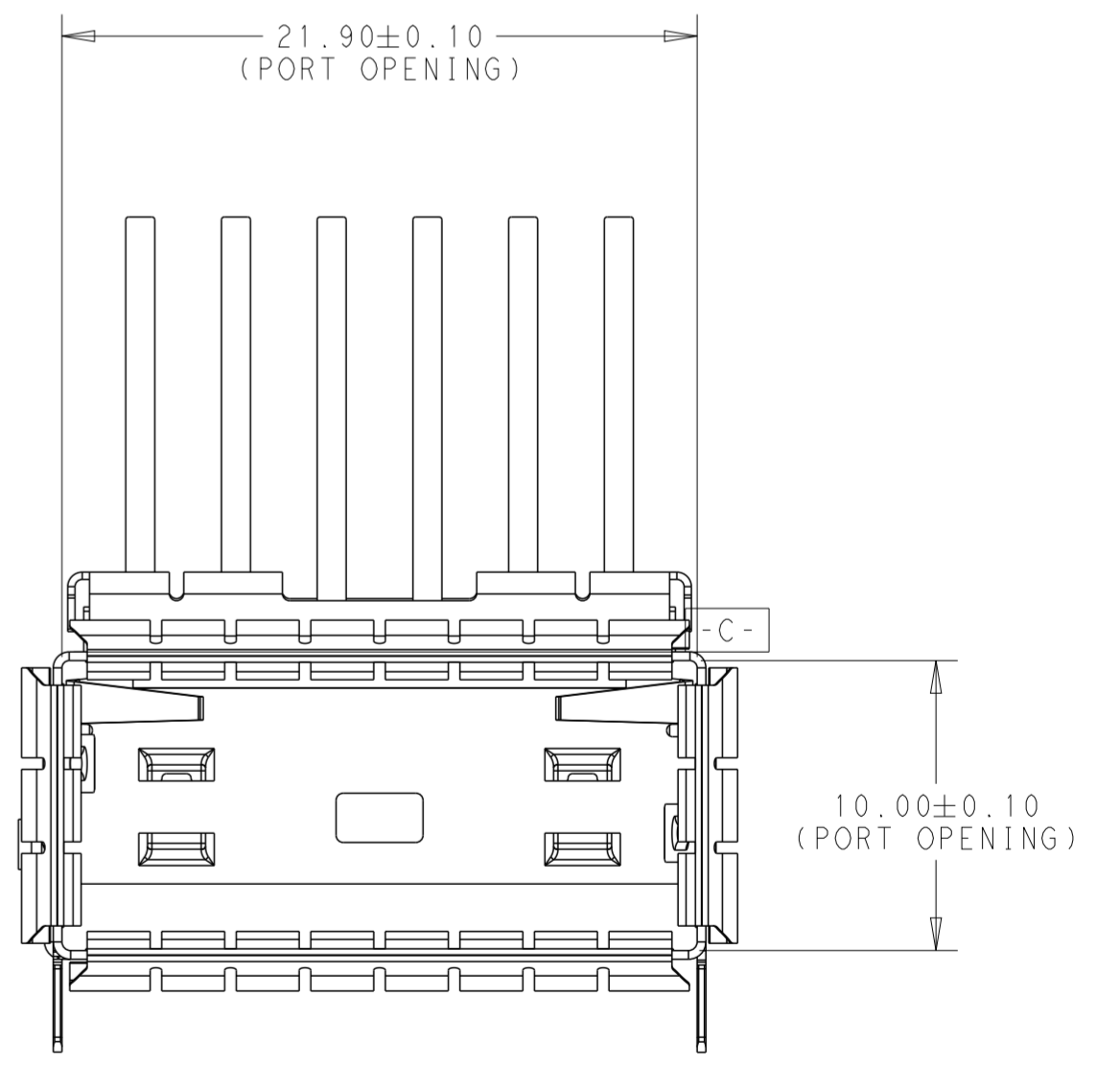
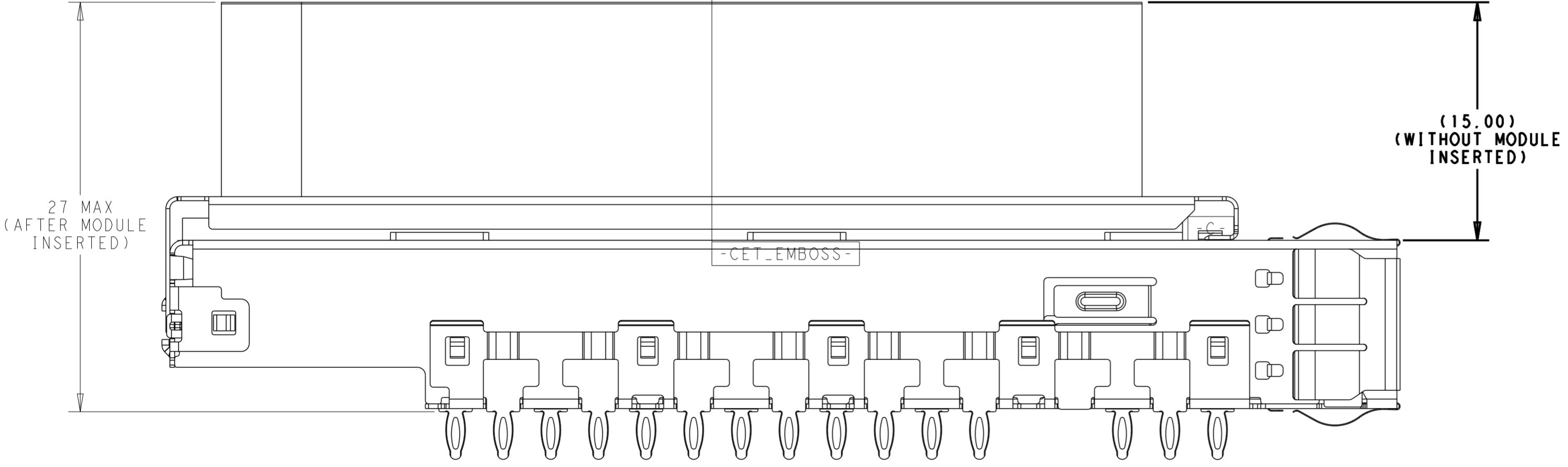
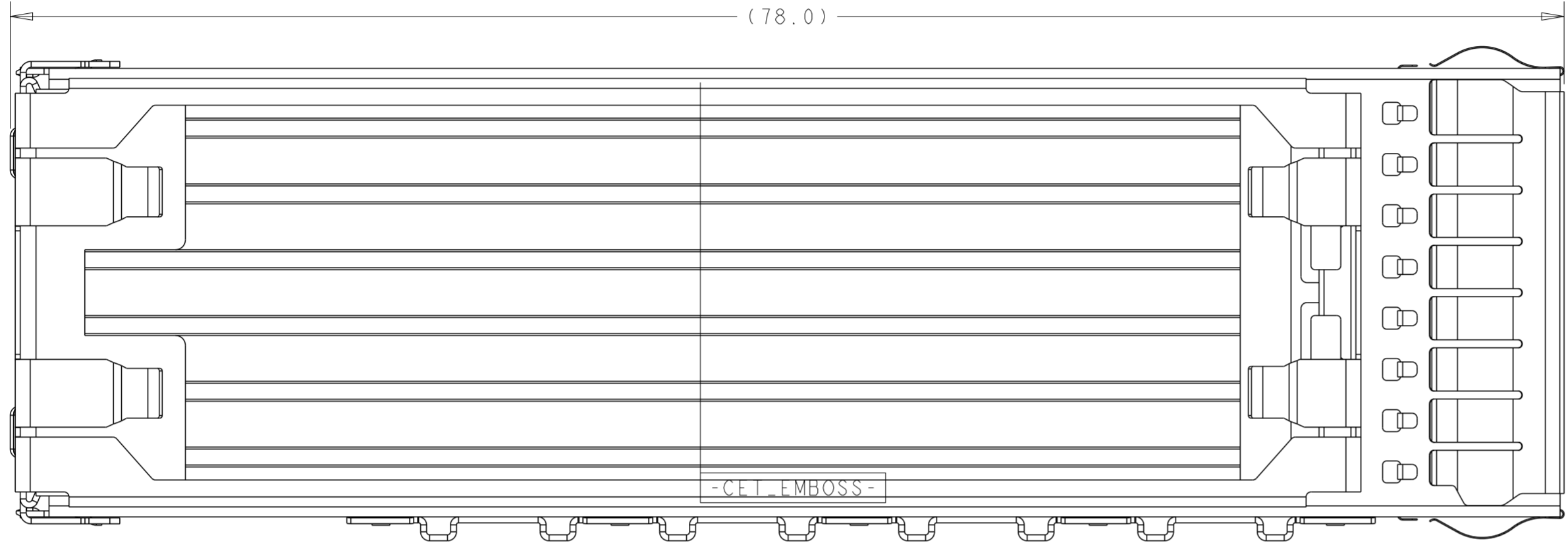
2	2292789-1	SCREW	3
1	2288228-1	RECEPTACLE COVER ASSEMBLY	2
1	2293289-3	CAGE ASSEMBLY WITH HS, CFP4 1X1	1
-1	PAR NUMBER	DESCRIPTION	ITEM


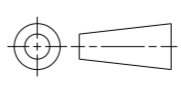
THIS DRAWING IS A CONTROLLED DOCUMENT.		DWN ANDY.XIE 16JUN2015	STE TE Connectivity			
DIMENSIONS: mm		CHK SEAN.HAN 16JUN2015				
TOLERANCES UNLESS OTHERWISE SPECIFIED:		APVD SEAN.HAN 16JUN2015	NAME HARD WARE KIT FOR CFP4 1X1 PRESS FIT (CAGE, HS, HS CLIP, COVER, SCREW)			
0 PLC ± 1 PLC ±0.25 2 PLC ±0.13 3 PLC ±0.10 4 PLC ±		PRODUCT SPEC -	SIZE A2	CAGE CODE -	DRAWING NO. C-C2294014	RESTRICTED TO -
MATERIAL 1		FINISH 2	WEIGHT -	SCALE 1:1	SHEET 1 OF 6	REV 4
CUSTOMER DRAWING						

THIS DRAWING IS UNPUBLISHED. RELEASED FOR PUBLICATION 20
 © COPYRIGHT 20 BY - ALL RIGHTS RESERVED.

REVISIONS				
P	LTR	DESCRIPTION	DATE	APVD
-	-	SEE SHEET 1	-	-

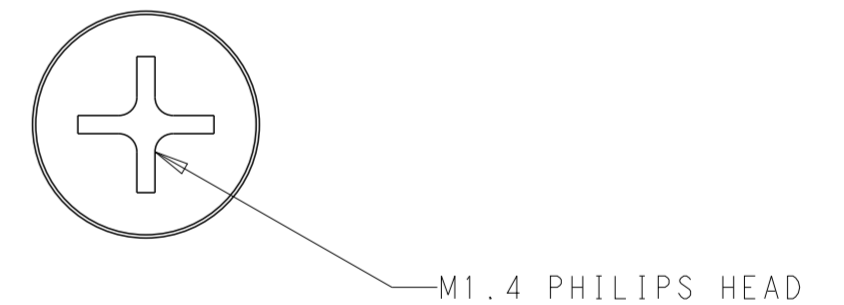
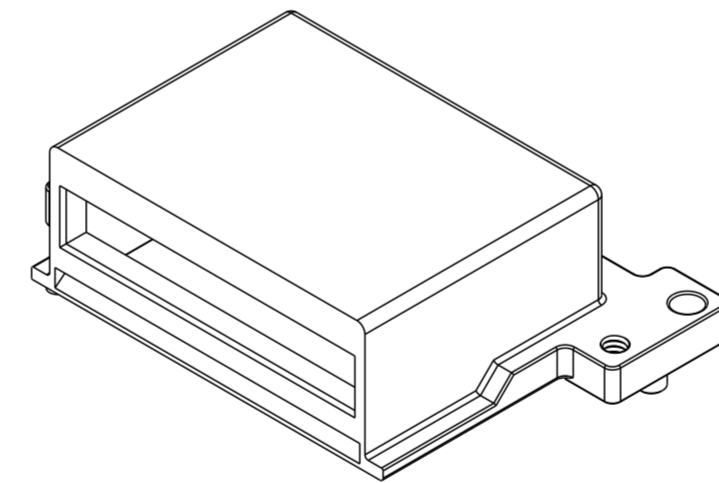
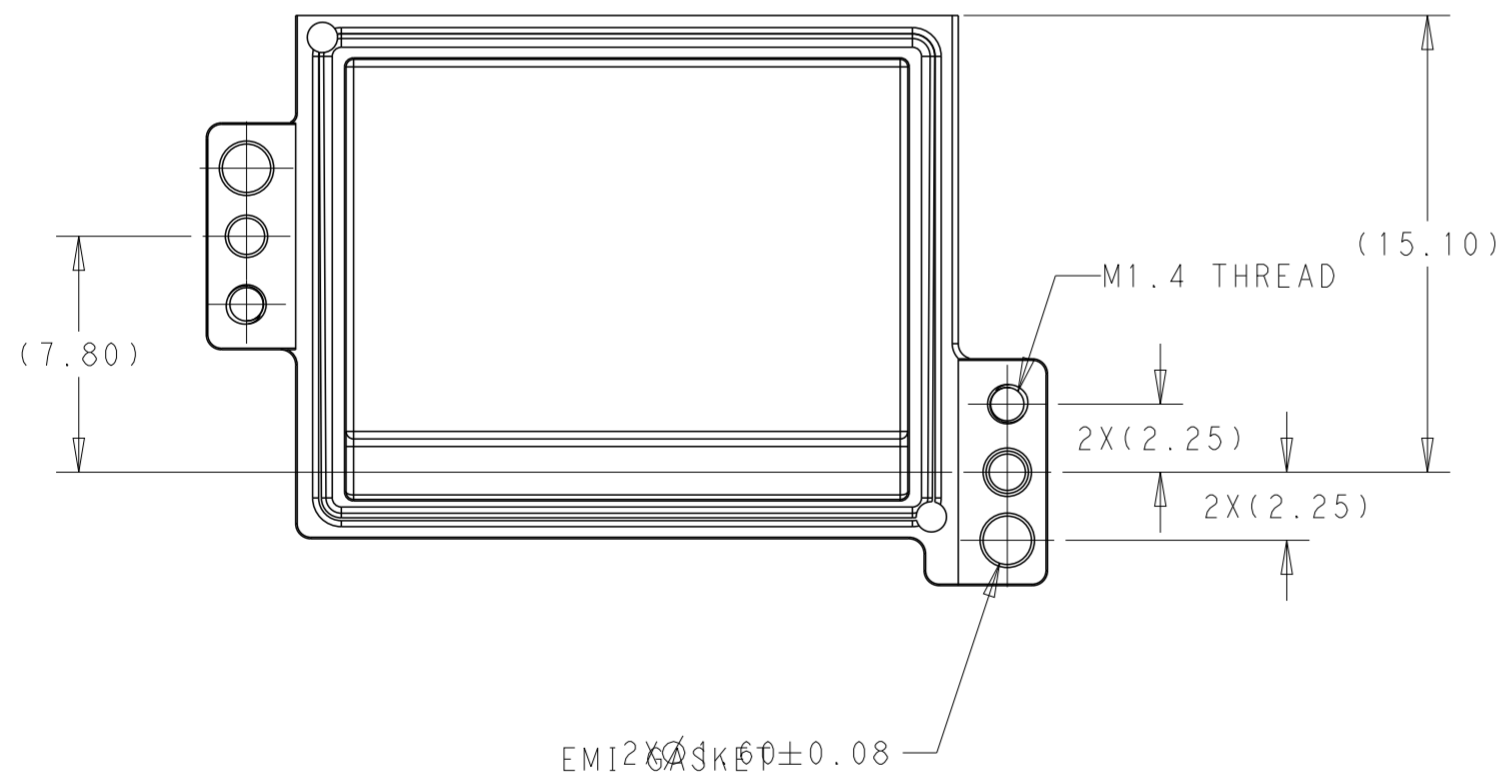
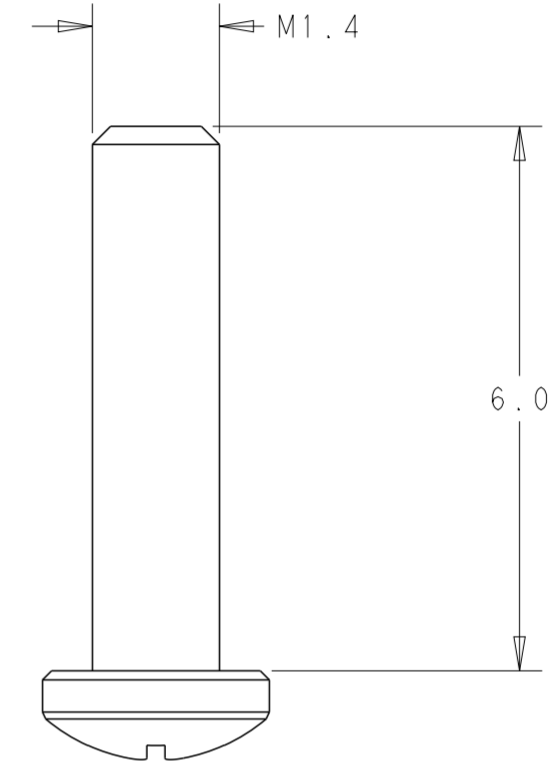
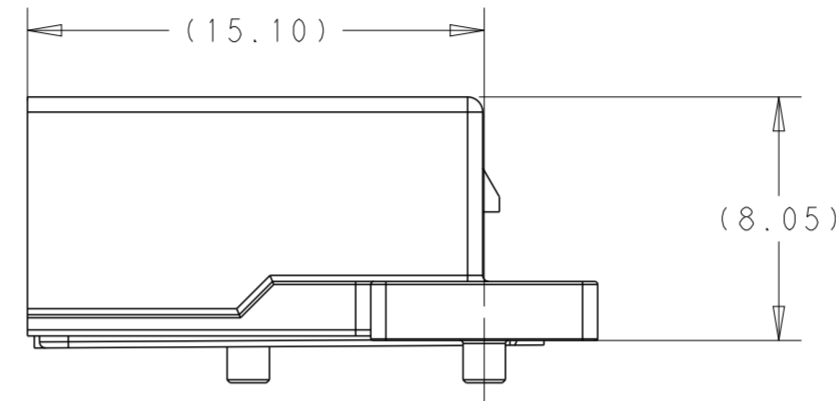
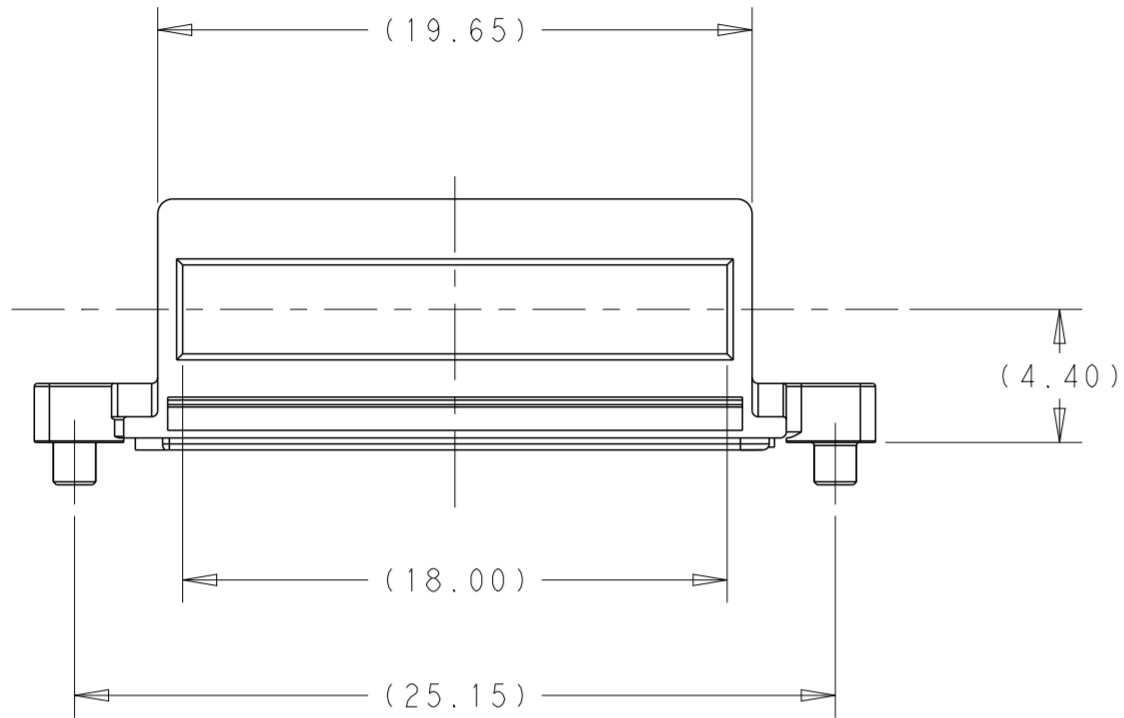
OBSOLETE



THIS DRAWING IS A CONTROLLED DOCUMENT.		DWN ANDY.XIF 16 JUN 2015	 TE Connectivity	
DIMENSIONS:		CHK SEAN.HAN 16 JUN 2015		
mm	TOLERANCES UNLESS OTHERWISE SPECIFIED:	APVD SEAN.HAN 16 JUN 2015	NAME HARD WARE KIT FOR CFP4 1X1 PRESS FIT	
	0 PLC ± 1 PLC ±0.25 2 PLC ±0.13 3 PLC ±0.1 4 PLC ± ANGLES ± FINISH ±	PRODUCT SPEC -	SIZE A2	CAGE CODE -
MATERIAL	-	APPLICATION SPEC -	DRAWING NO C-C2294014	RESTRICTED TO -
		WEIGHT -	SCALE 4:1	SHEET 2 OF 6
		CUSTOMER DRAWING	REV 4	

THIS DRAWING IS UNPUBLISHED. RELEASED FOR PUBLICATION 20
 © COPYRIGHT 20 BY - ALL RIGHTS RESERVED.

REVISIONS				
P	LTR	DESCRIPTION	DATE	APVD
-	-	SEE SHEET 1	-	-

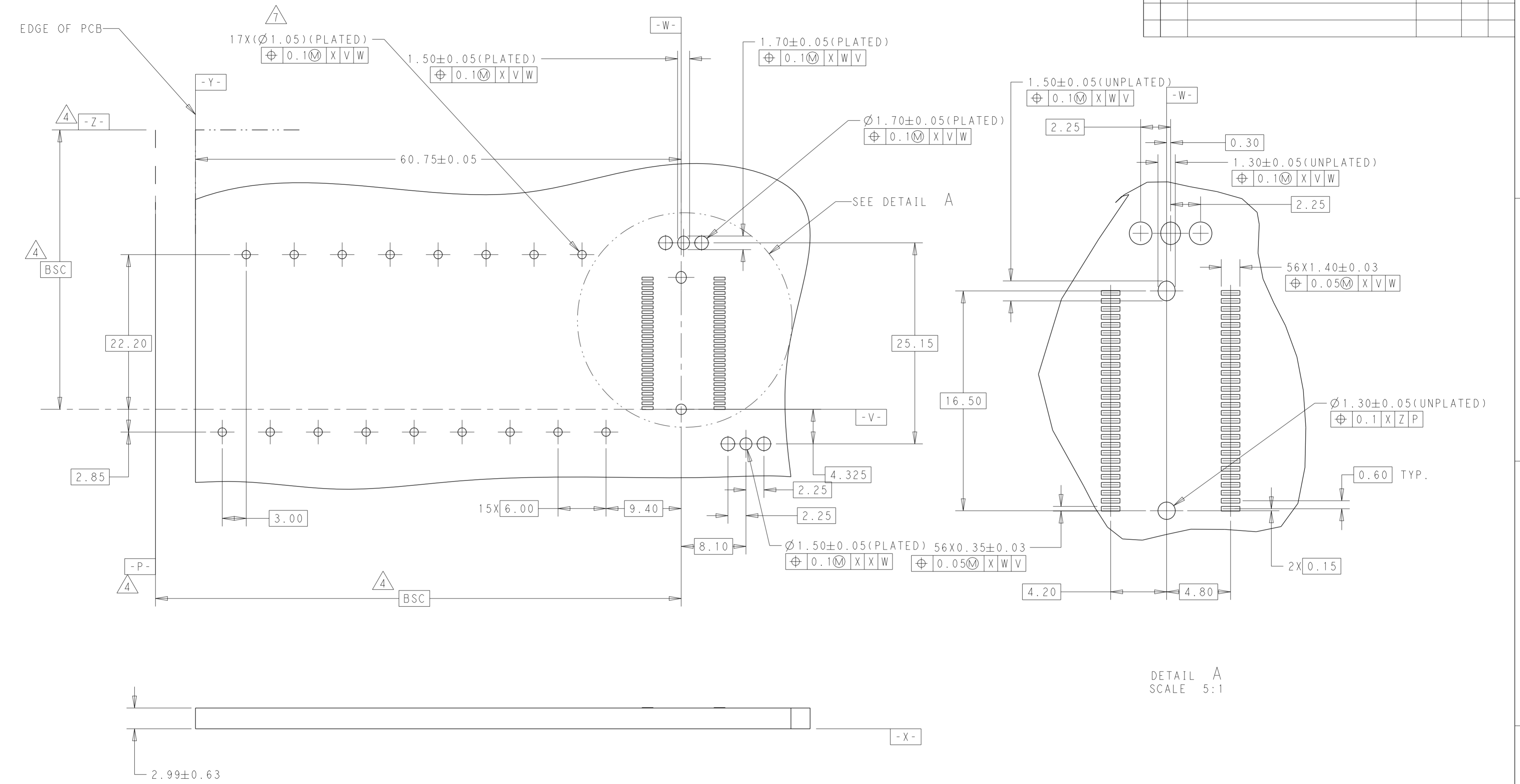


OBSOLETE

THIS DRAWING IS A CONTROLLED DOCUMENT.		DWN ANDY.XIE 16JUN2015	TE Connectivity	
DIMENSIONS: mm		CHK SEAN.HAN 16JUN2015		
TOLERANCES UNLESS OTHERWISE SPECIFIED:		APVD SEAN.HAN 16JUN2015	NAME HARD WARE KIT FOR CFP4 1X1 PRESS FIT	
0 PLC ±	1 PLC ±0.25	PRODUCT SPEC -	SIZE A2	CAGE CODE -
2 PLC ±0.13	3 PLC ±0.10	APPLICATION SPEC -	DRAWING NO C-2294014	RESTRICTED TO -
4 PLC ±	ANGLES ±	WEIGHT -	SCALE 4:1	SHEET 3 OF 6
MATERIAL -	FINISH -	CUSTOMER DRAWING	REV 4	

THIS DRAWING IS UNPUBLISHED. RELEASED FOR PUBLICATION 20
 © COPYRIGHT 20 BY - ALL RIGHTS RESERVED.

REVISIONS				
P	LTR	DESCRIPTION	DATE	APVD
-	-	SEE SHEET 1	-	-

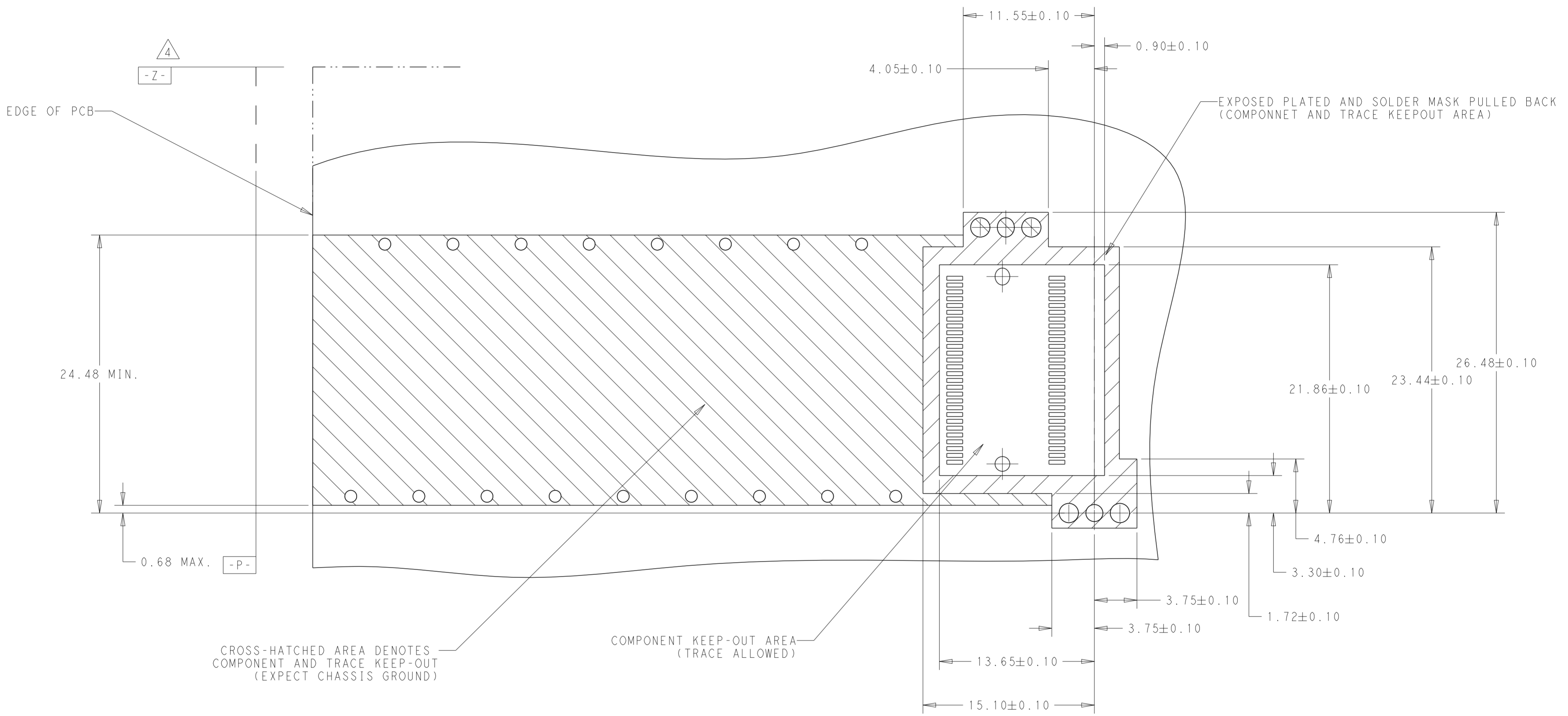


OBSOLETE

THIS DRAWING IS A CONTROLLED DOCUMENT.		DWN ANDY.XIE 16 JUN 2015	TE Connectivity	
DIMENSIONS: mm		CHK SEAN.HAN 16 JUN 2015		
TOLERANCES UNLESS OTHERWISE SPECIFIED:		APVD SEAN.HAN 16 JUN 2015	NAME HARDWARE KIT FOR CFP4 1X1 PRESS FIT	
0 PLC \pm	1 PLC ± 0.25	PRODUCT SPEC -	SIZE A2	RESTRICTED TO -
2 PLC ± 0.13	3 PLC ± 0.10	APPLICATION SPEC -	CAGE CODE -	DRAWING NO. C-2294014
4 PLC \pm	ANGLES \pm	WEIGHT -	SCALE 4:1	SHEET 4 OF 6
MATERIAL -	FINISH -	CUSTOMER DRAWING	REV 4	

THIS DRAWING IS UNPUBLISHED. RELEASED FOR PUBLICATION 20
 © COPYRIGHT 20 BY - ALL RIGHTS RESERVED.

REVISIONS				
P	LTR	DESCRIPTION	DATE	APVD
-	-	SEE SHEET 1	-	-

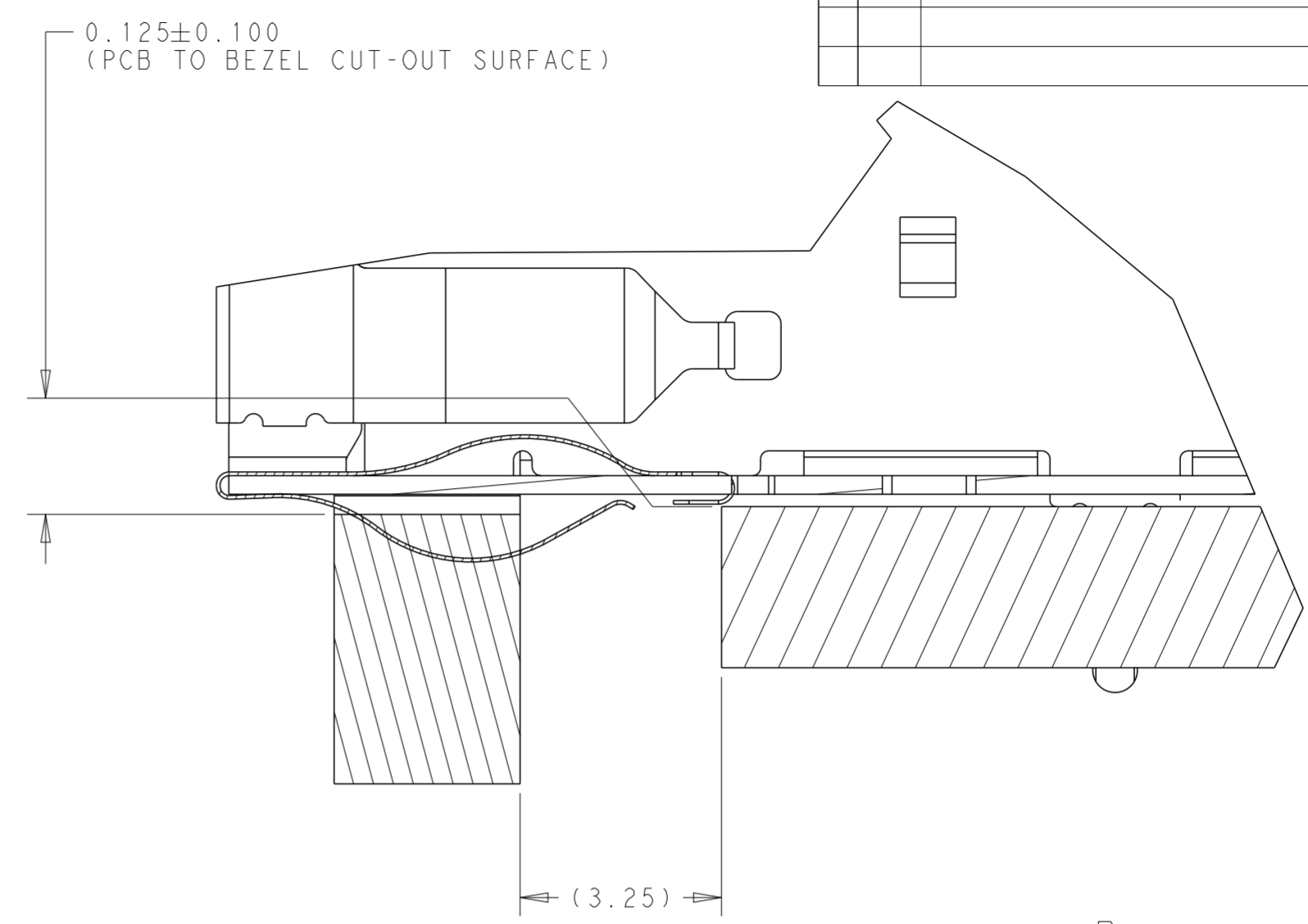
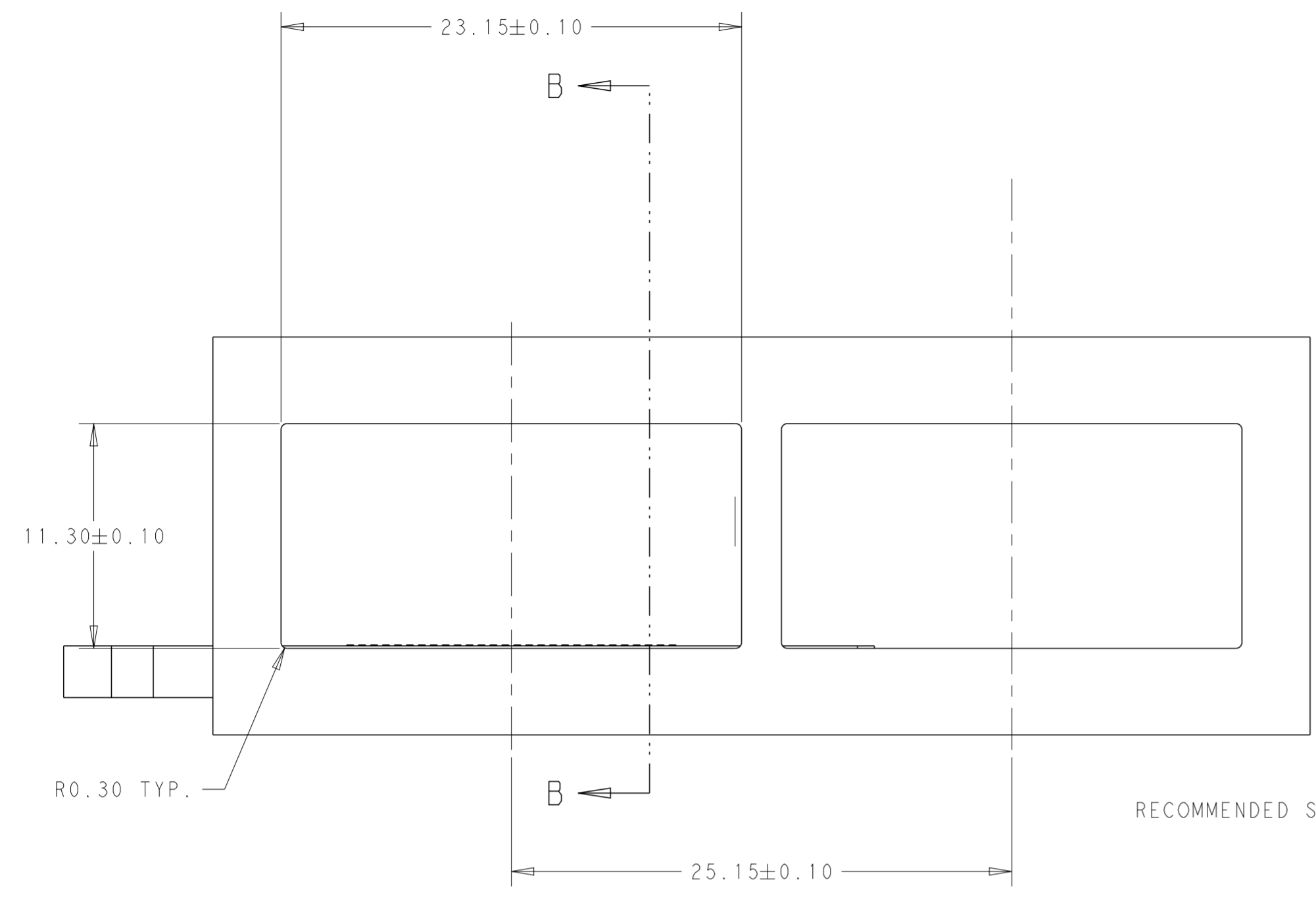


OBSOLETE

THIS DRAWING IS A CONTROLLED DOCUMENT.		DWN ANDY.XIE 16JUN2015	TE Connectivity	
DIMENSIONS: mm		CHK SEAN.HAN 16JUN2015		
TOLERANCES UNLESS OTHERWISE SPECIFIED:		APVD SEAN.HAN 16JUN2015	NAME HARD WARE KIT FOR CFP4 1X1 PRESS FIT	
0 PLC ±	±0.25	PRODUCT SPEC -	SIZE A2	CAGE CODE -
1 PLC ±0.13	±0.13	APPLICATION SPEC -	DRAWING NO C-2294014	RESTRICTED TO -
2 PLC ±0.10	±0.10	WEIGHT -	SCALE 4:1	SHEET 5 OF 6
3 PLC ±	±	CUSTOMER DRAWING	REV 4	

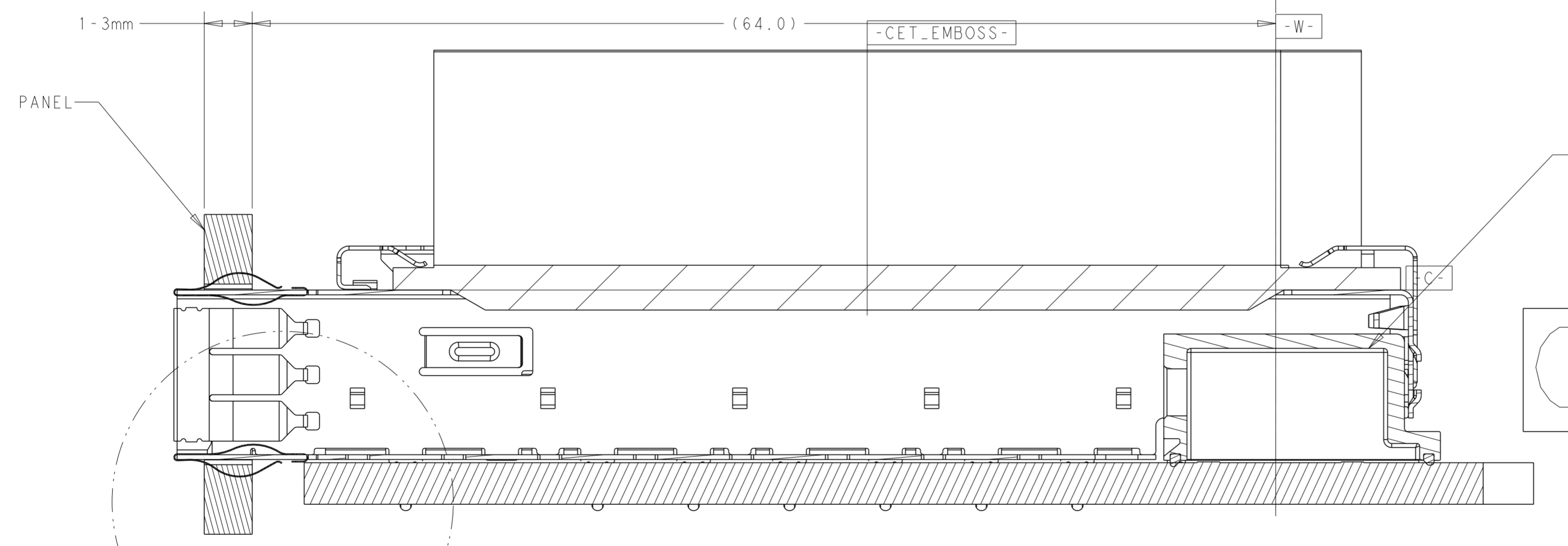
THIS DRAWING IS UNPUBLISHED. RELEASED FOR PUBLICATION 20
 © COPYRIGHT 20 BY - ALL RIGHTS RESERVED.

REVISIONS				
P	LTR	DESCRIPTION	DATE	APVD
-	-	SEE SHEET 1	-	-



RECOMMENDED SINGLE SIDE APPLICATION

DETAIL B
 SCALE 10:1



OBSOLETE

SECTION B-B
 SCALE 4:1

THIS DRAWING IS A CONTROLLED DOCUMENT.		DWN ANDY.XIE 16JUN2015	TE Connectivity	
DIMENSIONS: mm		CHK SEAN.HAN 16JUN2015		
TOLERANCES UNLESS OTHERWISE SPECIFIED:		APVD SEAN.HAN 16JUN2015	NAME HARD WARE KIT FOR CFP4 1X1 PRESS FIT	
0 PLC ±	±0.25	PRODUCT SPEC	SIZE A2	CAGE CODE -
1 PLC ±0.25	±0.13	APPLICATION SPEC	DRAWING NO. C-2294014	RESTRICTED TO -
2 PLC ±0.13	±0.10	WEIGHT -	SCALE 1:1	SHEET 6 OF 6
3 PLC ±0.10	±	CUSTOMER DRAWING	REV 4	
4 PLC ±	±			
ANGLES				
FINISH				