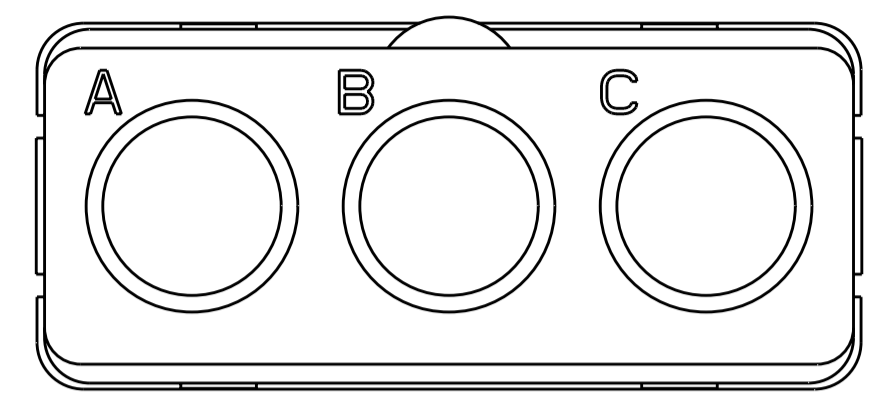
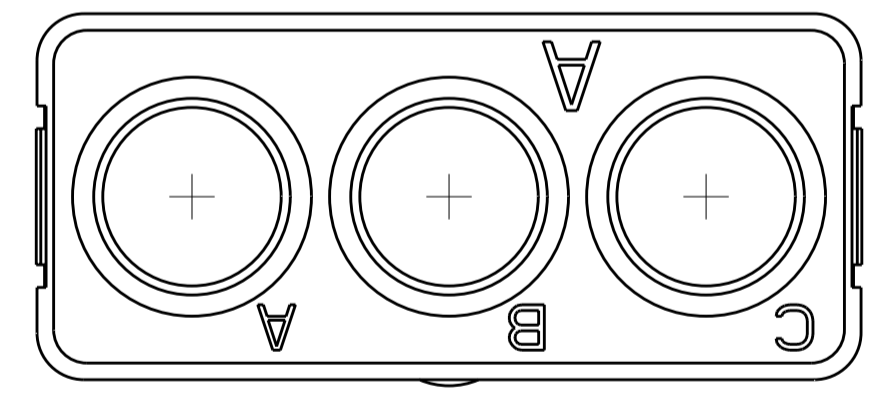
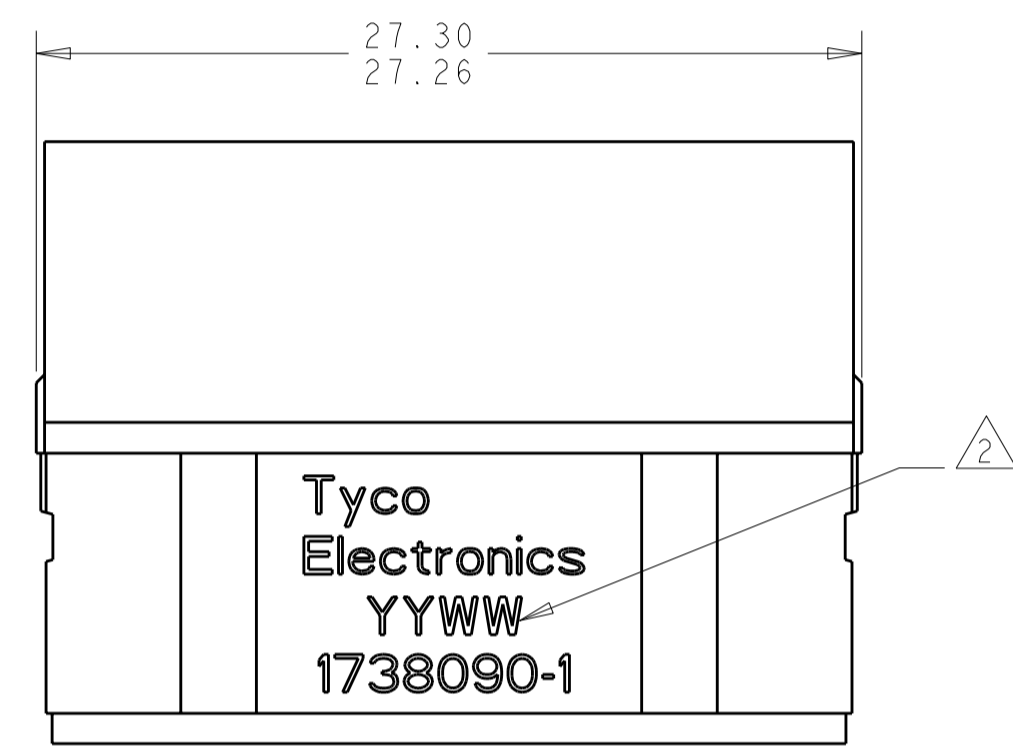
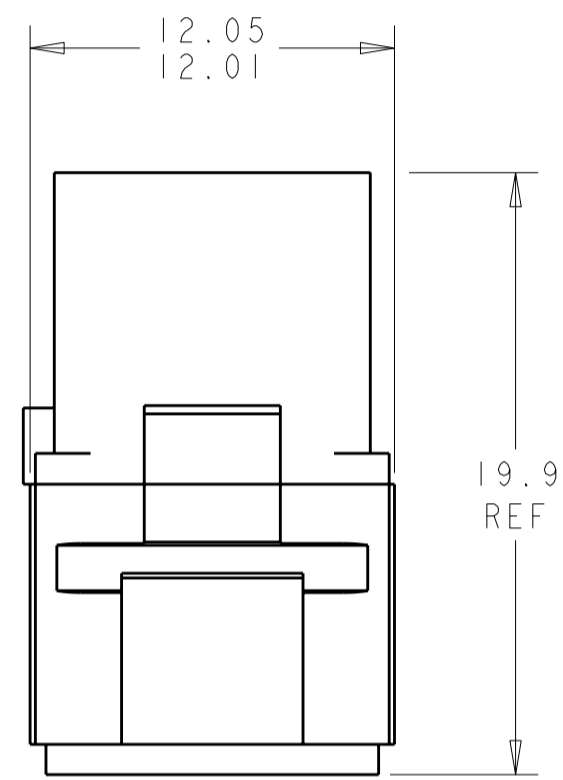


THIS DRAWING IS UNPUBLISHED. RELEASED FOR PUBLICATION  
 © COPYRIGHT BY TYCO ELECTRONICS CORPORATION. ALL RIGHTS RESERVED.

LOC	DIST	REVISIONS			
P	LTR	DESCRIPTION	DATE	DWN	APVD
-	-	A	REV PER ECO 10-021982	10-27-10	CT KH



MATING FACE



- 1 FRONT & REAR INSULATOR: HIGH-TEMP THERMOPLASTIC OR THERMOSET EPOXY PER ASTM D5948. CONTACT RETENTION CLIPS: STAINLESS STEEL PER AISI 302 OR COPPER ALLOY PER ASTM B194
- 2 DATE CODE: YEAR & WEEK (YY WW)
- 3 DESCRIPTIVE PART NUMBER GPRBNC3SA  
THIS INSERT CONTAINS: 3 CAVITIES FOR SIZE 5 SOCKET COAX CONTACTS
- 4 THIS PRODUCT IS SOLD BY TYCO ELECTRONICS UNDER A LICENSE FROM RADIALL SA.

1738090-1  
PART NUMBER

THIS DRAWING IS A CONTROLLED DOCUMENT FOR TYCO ELECTRONICS CORPORATION. IT IS SUBJECT TO CHANGE AND THE CONTROLLING ENGINEERING ORGANIZATION SHOULD BE CONTACTED FOR THE LATEST REVISION.		DWN BH	06MAY10	Tyco Electronics Harrisburg, PA 17105-3608	
DIMENSIONS:		CHK JPM	06MAY10	<b>PRELIMINARY</b> INSERT ASSEMBLY, SOCKET, NON-ENVIRONMENTAL ARRANGEMENT C3, KEY A, GPRB	
mm		APVD JPM	06MAY10		
TOLERANCES UNLESS OTHERWISE SPECIFIED:		PRODUCT SPEC			
0 PLC ± 1 PLC ±0.1 2 PLC ±0.05 3 PLC ± 4 PLC ± ANGLES ± FINISH		APPLICATION SPEC		SIZE	CAGE CODE
MATERIAL		WEIGHT		A2	00779
		CUSTOMER DRAWING		DRAWING NO C-1738090	
				SCALE	4:1
				SHEET	1 OF 1
				REV	A