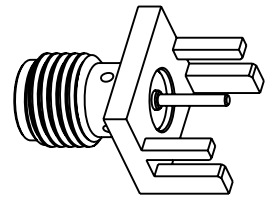


NOTES:

1. MATERIALS AND FINISHES:  
 BODY - BRASS, NICKEL PLATING  
 CONTACT PIN - BERYLLIUM COPPER, GOLD PLATING  
 INSULATOR - PTFE, NATURAL
2. ELECTRICAL:  
 A. IMPEDANCE: 50 OHM  
 B. FREQUENCY RANGE: DC 0-18 GHZ  
 C. VSWR: NOT APPLICABLE  
 D. INSERTION LOSS: NOT APPLICABLE  
 E. DIELECTRIC WITHSTANDING VOLTAGE: 1000 VRMS, MIN.
3. MECHANICAL:  
 A. DURABILITY: 500 CYCLES MIN.  
 B. TEMPERATURE RANGE: -65° C TO +165° C
4. CONTACT PIN MUST WITHSTAND 6 LBS MIN. AXIAL FORCE IN BOTH DIRECTIONS AND 4 IN-OZ MIN. RADIAL FORCE.
5. BOARD THICKNESS=1.57 MM [.062"]

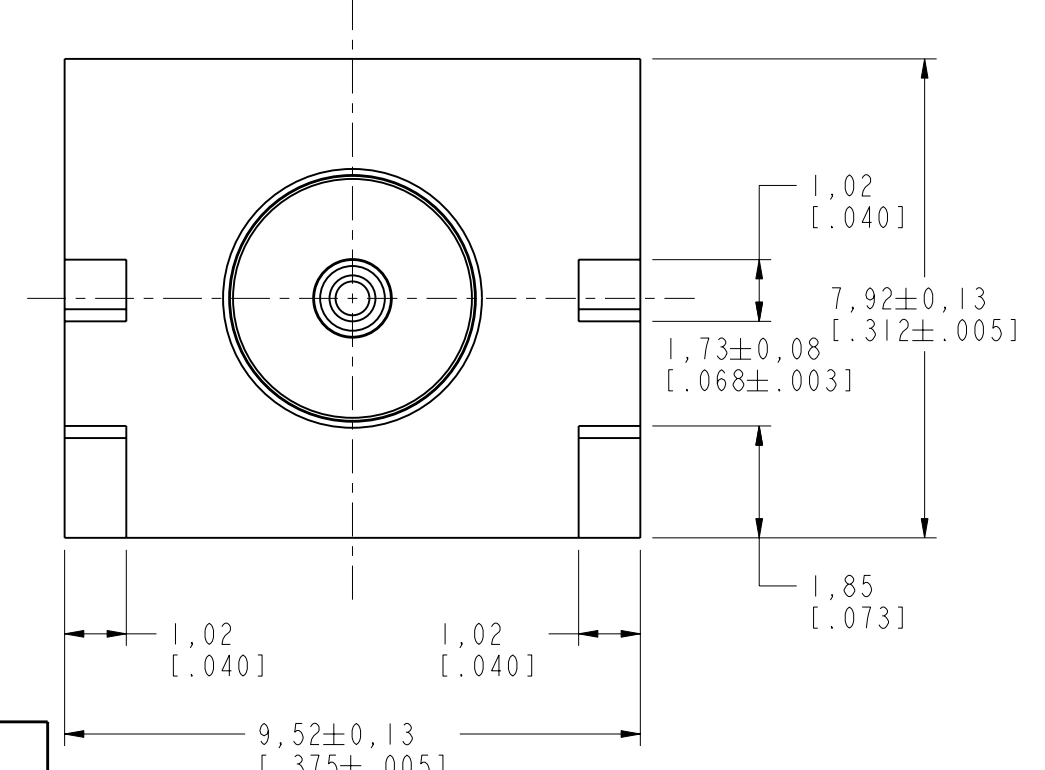
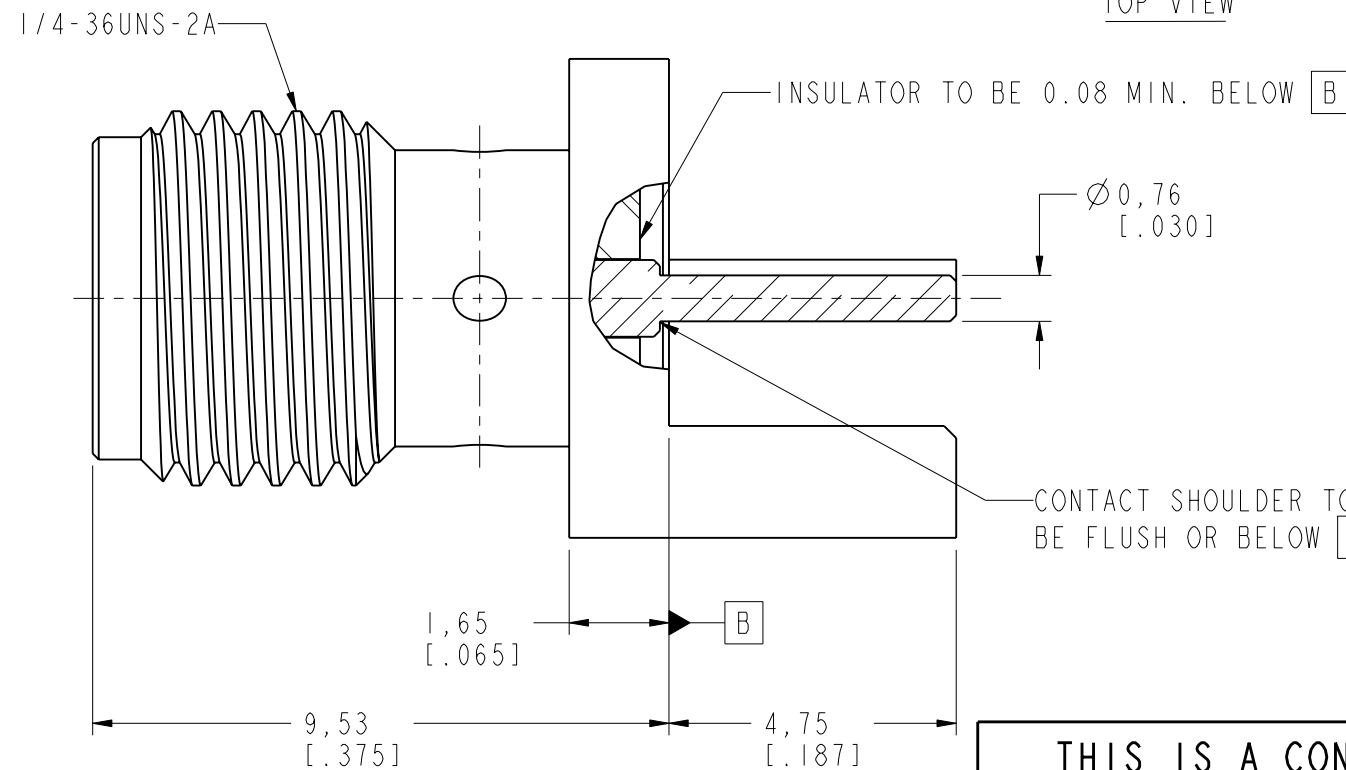
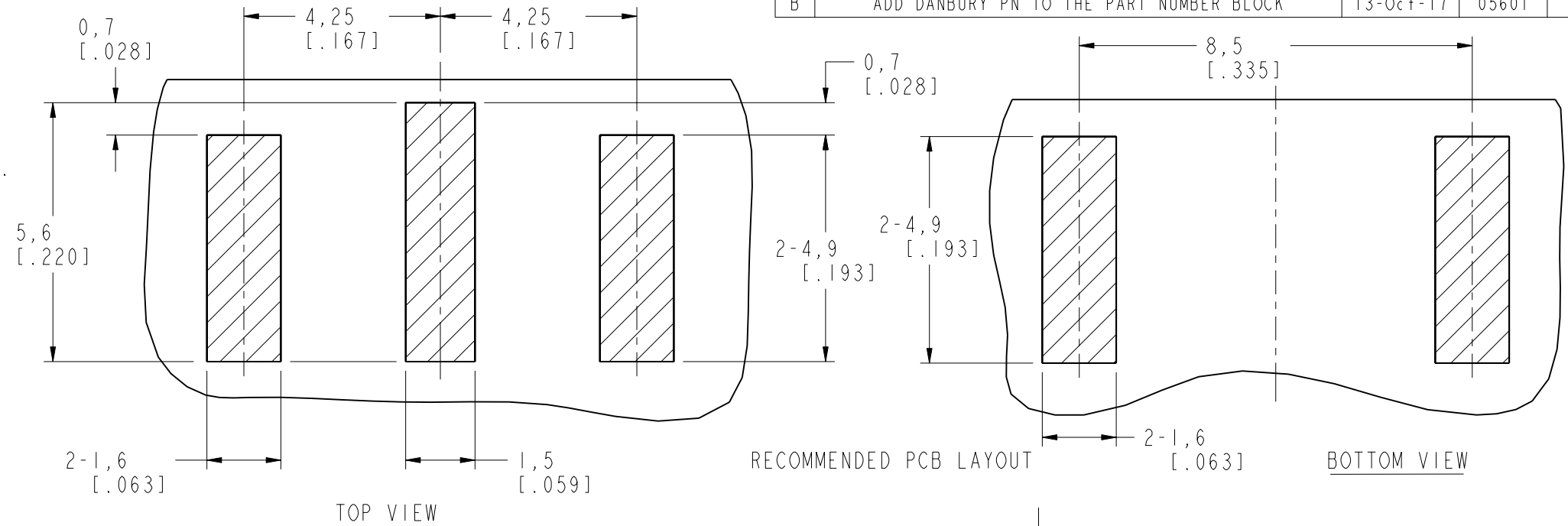


SCALE 2.000

THIRD ANGLE PROJ.

REVISIONS

REV	DESCRIPTION	DATE	ECO	APPR
A	RELEASE TO MFG.	09-Mar-12		MZ
B	ADD DANBURY PN TO THE PART NUMBER BLOCK	13-Oct-17	05601	SD



**THIS IS A CONTROLLED ITEM:  
 NO CHANGES MAY BE MADE WITHOUT  
 PRIOR CUSTOMER APPROVAL**

**CUSTOMER OUTLINE DRAWING**  
 ALL OTHER SHEETS ARE FOR INTERNAL USE ONLY

UNLESS OTHERWISE SPECIFIED, DIMENSIONS ARE IN METRIC AND TOLERANCES ARE:  
 <0.5mm ±0.05mm    0.5 - 6mm ±0.1mm    6 - 30mm ±0.2mm    30 - 120mm ±0.3mm    ANGLES ±1°

NOTICE - These drawings, specifications, or other data (1) are, and remain the property of Amphenol corp. (2) must be returned upon request; and (3) are confidential and not to be disclosed to any person other than those to whom they are given by Amphenol Corp. the furnishing of these drawings, specifications, or other data by Amphenol Corp., or to any other person to anyone for any purpose is not to be regarded by implication or otherwise in any manner licensing, granting rights to permitting such holder or any other person to manufacture, use or sell any product, process or design, patented or otherwise, that may in any way be related to or disclosed by said drawings, specifications, or other data.

MATERIAL	
REFERENCE	
FINISH	

DRAWN M. ZHANG	DATE 09-Mar-12
ENGINEER S. LI	DATE 09-Mar-12
APPROVED S. HSIEH	DATE 26-Oct-17
CAD FILE	

TITLE SMA END LAUNCH RECEPT. JACK, FLUSH FLANGE (FOR .062" THICK PCB)	
SCALE: 8.0:1.0	SHEET 2 OF 2
DWG SIZE B	REV B

Amphenol RF Danbury CT USA, Tainan, Taiwan, Shenzhen, China www.amphenolrf.com	
DRAWING NO. SMA6251A1-116-NT5GP-50	
ITEM NO. 116251AEZ02UZ5F	
PART NO. 132255-12N	