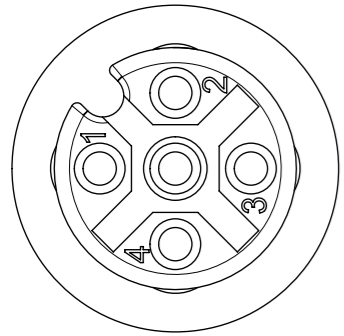


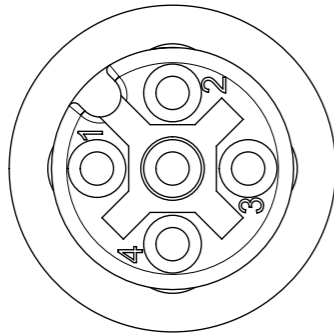
# M12 4 POLE FEMALE



VIEW FROM THE FRONT SIDE

Pin	Kolor przewodu	
1	BROWN	BN
2	WHITE	WH
3	BLUE	BU
4	BLACK	BK

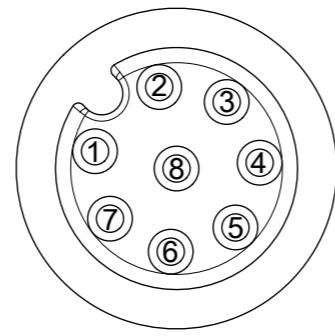
# M12 5 POLE FEMALE



VIEW FROM THE FRONT SIDE

Pin	Kolor przewodu	
1	BROWN	BN
2	WHITE	WH
3	BLUE	BU
4	BLACK	BK
5	GREY	GY

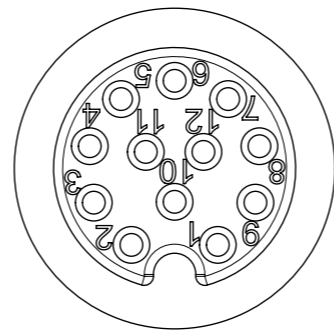
# M12 8 POLE FEMALE



VIEW FROM THE FRONT SIDE

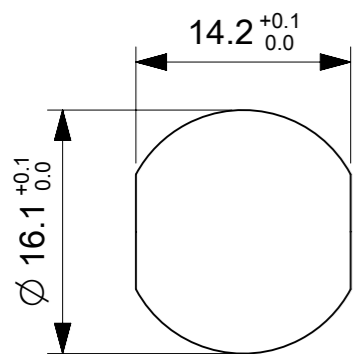
Pin	Kolor przewodu	
1	WHITE	WH
2	BROWN	BN
3	GREEN	GN
4	YELLOW	YE
5	GREY	GY
6	PINK	PK
7	BLUE	BU
8	RED	RD

# M12 12 POLE FEMALE

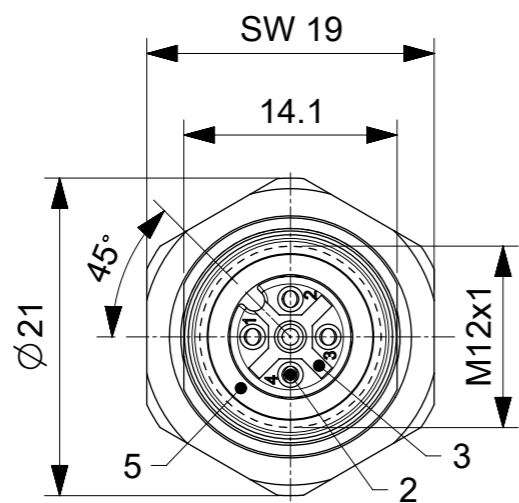


VIEW FROM THE FRONT SIDE

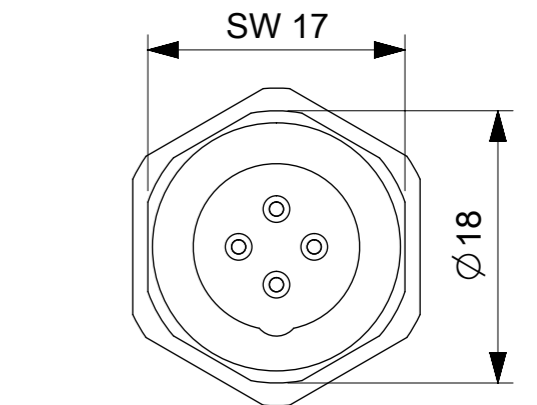
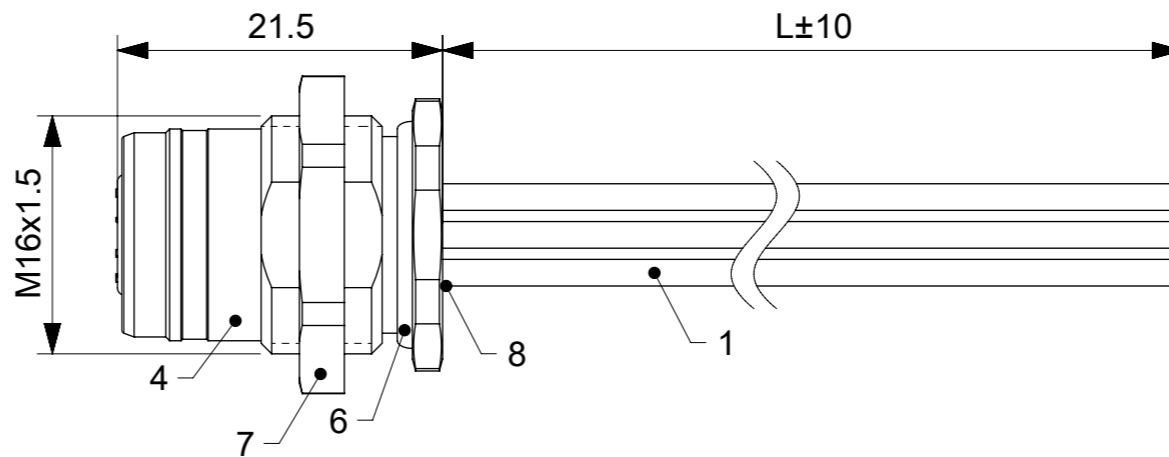
Pin	Kolor przewodu	
1	WHITE	WH
2	BROWN	BN
3	GREEN	GN
4	YELLOW	YE
5	GREY	GY
6	PINK	PK
7	BLUE	BU
8	RED	RD
9	BLACK	BK
10	VIOLET	VT
11	GREY/PINK	GY/PK
12	RED/BLUE	RD/BU



PANEL CUT OUT



VIEW FROM THE FRONT SIDE



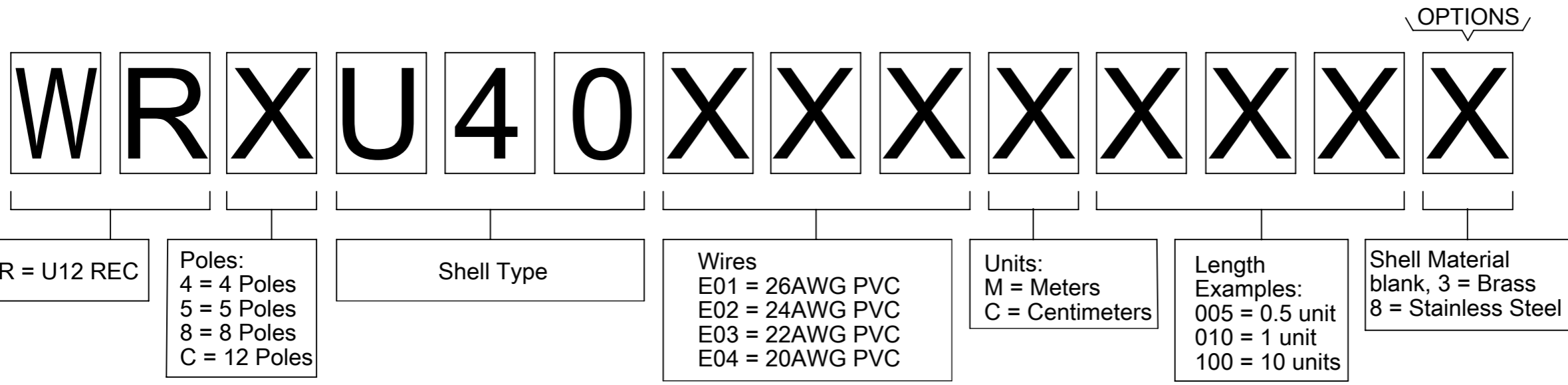
VIEW FROM THE WIRES SIDE

## BILL OF MATERIALS

ITEM	QTY.	DESCRIPTION	MATERIAL	FINISH
8	-	POTTING MATERIAL	WEVO	-
7	1	LOCKNUT M16x1.5	BRASS	Ni
6	1	O-RING BK	NBR	-
5	1	GASKET RD	FPM	-
4	1	SHELL M12x1 M16x1.5	BRASS/STAINLESS STEEL	Ni/-
3	1	INSERT 4/5/8/12P FE AC	ELASTOLLAN	-
2	4/5/8/12	CONTACT FEMALE	BRASS	AU
1	-	WIRE 20/22/24/26 AWG UL1569	PVC	-
ITEM	QTY.	DESCRIPTION	MATERIAL	FINISH

THIS DRAWING CONTAINS INFORMATION THAT IS PROPRIETARY TO MOLEX ELECTRONIC TECHNOLOGIES, LLC AND SHOULD NOT BE USED WITHOUT WRITTEN PERMISSION									
DIMENSION UNITS	SCALE	CURRENT REV DESC: OBSOLETE PART NUMBERS AS PER PCN#506884							
mm	2:1								
GENERAL TOLERANCES (UNLESS SPECIFIED)									
ANGULAR TOL	± 1.0 °	REC M12 XP AC FE PVC XM M16 BM PRODUCT CUSTOMER DRAWING							
4 PLACES	±	EC NO: 662770	2021/03/02	DOCUMENT NUMBER					
3 PLACES	±	DRWN: SUGEEB	2021/06/02	1200848135					
2 PLACES	± 0.05	CHK'D: GGA	2021/06/02	PSD 000 A5					
1 PLACE	± 0.3	APPR: GGA	2021/06/02	SHEET NUMBER					
0 PLACES	± 0.5	INITIAL REVISION:	2016/09/27	SEE SHEET 2					
DRAFT WHERE APPLICABLE MUST REMAIN WITHIN DIMENSIONS		DRWN: KKALICIAK	2016/10/25	GENERAL MARKET					
THIRD ANGLE PROJECTION		APPR: MIWASIECZKO	2016/10/25	1 OF 2					
DRAWING		SERIES	MATERIAL NUMBER	CUSTOMER			SHEET NUMBER		
A3-SIZE		120084	SEE SHEET 2	GENERAL MARKET			1 OF 2		

ENGINEERING No. - NUMERICAL CODE (Available parts see PART LIST table. Others parts available upon request)

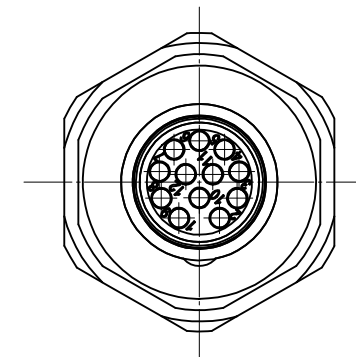
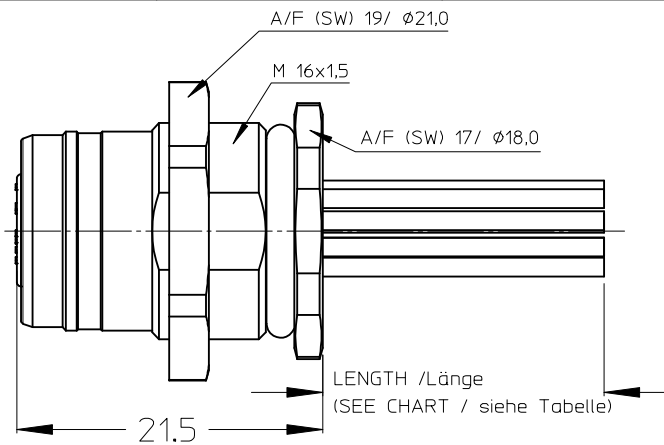
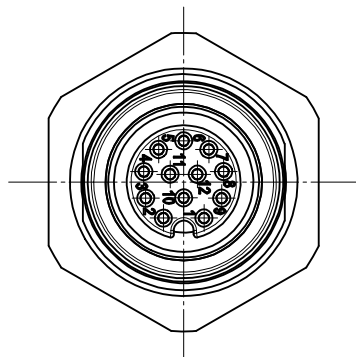


PART LIST

Molex PN	Engineering No.	L [mm]
1200848135	WR4U40E04C3003	300
1200845097	WR8U40E02C300	300
1200848069	WR8U40E02C500	500
1200848059	WR8U40E02M010	1000
1200845016	WRCU40E01C200	200
1200845017	WRCU40E01C300	300
1200848058	WRCU40E01M010	1000
1200845038	WR4U40E03C3003	300
1200845160	WR5U40E03C3003	300
1200848180	WR5U40E03M0103	1000
1200848192	WR5U40E03C300	300
1200848219	WR4U40E03C650	650

THIS DRAWING CONTAINS INFORMATION THAT IS PROPRIETARY TO MOLEX ELECTRONIC TECHNOLOGIES, LLC AND SHOULD NOT BE USED WITHOUT WRITTEN PERMISSION										
DIMENSION UNITS	SCALE	CURRENT REV DESC: OBSOLETE PART NUMBERS AS PER PCN#506884								
mm	1:1	<b>molex</b>								
GENERAL TOLERANCES (UNLESS SPECIFIED)										
ANGULAR TOL	± 1.0 °	REC M12 XP AC FE PVC XM M16 BM								
4 PLACES	±									
3 PLACES	±	PRODUCT CUSTOMER DRAWING								
2 PLACES	± 0.05									
1 PLACE	± 0.3	INITIAL REVISION:								
0 PLACES	± 0.5									
DRAFT WHERE APPLICABLE MUST REMAIN WITHIN DIMENSIONS		THIRD ANGLE PROJECTION	DRAWING	SERIES	MATERIAL NUMBER	CUSTOMER	DOCUMENT NUMBER	DOC TYPE	DOC PART	REVISION
			A3-SIZE	120084	SEE PART LIST	GENERAL MARKET	1200848135	PSD	000	A5
										SHEET NUMBER
										2 OF 2

DOCUMENT STATUS	P1	RELEASE DATE	2021/06/02	05:45:55
-----------------	----	--------------	------------	----------

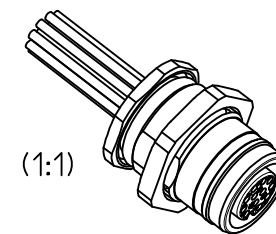
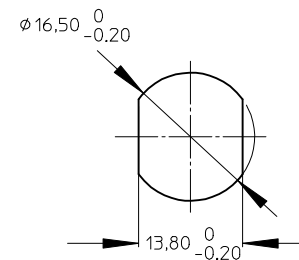


Allgemeine Kennwerte General Characteristics	Norm Standard	
Palzahl/Number of Contacts Kontaktanordnung/ Contact configuration	IEC 947-5-2	12
Bemessungsspannung/ Rated Voltage	IEC 664	30V AC / DC
Verschmutzungsgrad/ Pollution Degree	IEC 664	3
Betriebsstrom/ Current carrying capacity	IEC 512-3 Test 5b	1,5 A
Durchgangswiderstand/ Contact Resistance	IEC 512-2 Test 2A	< 5 mOhm
Bemessungsstoßspannung/ Rated Impulse Withstand Voltage	IEC 664	2kV
Prüfspannung/ Test Voltage	IEC 60512-2 Test 4A	1 kV / 60 sec
Isolationswiderstand/ Insulation Resistance	IEC 512-2 Test 3A	> 10 GOhm
IP - Schutzart/ IP Degree of Protection	IEC 529	IP 67
Stift Durchmesser/ Pin Diameter		0,6 mm
Temperaturbereich/ Temperature Range	ICE 60668-1	-25°C / +90 °C
Mechanische Lebensdauer/ Mechanical Operation		100 Steckzyklen/ Mating Cycles

WIRING DIAGRAMM

- 1 WH - White
- 2 BN - Brown
- 3 GN - Green
- 4 YE - Yellow
- 5 GY - Grey
- 6 PK - Pink
- 7 BU - Blue
- 8 RD - Red
- 9 BK - Black
- 10 VT - Violett
- 11 GYPK - Grey/Pink
- 12 RDBU - Red/Blue

CUTOUT



Anschlußart/ Termination		Crimp
Brennbarkeit/ Flammability		
Kontaktträger/ Insert	UL 94	V-0
Kabel/ Cable		VDE 0472 / 804
Werkstoff/ Materials		
Kontakte/Contacts	Copper Alloy	
Kontaktoberfläche/Contact plating	Au/Ni	
Kontaktträger/ Dielectric Material	PA 6.6	
Dichtung/ Gasket (O-Ring)	NBR	
Gehäuse/ Housing	CuZn (brass) Ni Plated	

ENTER DESCRIPTION  
 EC NO: IPG2014-0475  
 DRW:RSCHIEBER 2013/09/09  
 CHKD:APOHL 2013/09/09  
 APPR:CBURGER 2013/09/10

QUALITY SYMBOLS  
 ▽=0  
 ▽=0

GENERAL TOLERANCES (UNLESS SPECIFIED)		
	mm	INCH
4 PLACES	± ---	± ---
3 PLACES	± ---	± ---
2 PLACES	± 0.05	± ---
1 PLACE	± 0.1	± ---
0 PLACE	± 1	± ---
ANGULAR ± 1 °		
DRAFT WHERE APPLICABLE MUST REMAIN WITHIN DIMENSIONS		

PN	Engineering NO.	L= Length
1200845016	WRCU40E01C200	200 mm
1200845017	WRCU40E01C300	300 mm

DIMENSION STYLE	
MM ONLY	
DRAWN BY	DATE
RSCHIEBER	2013/09/09
CHECKED BY	DATE
APOHL	2013/09/09
APPROVED BY	DATE
CBURGER	2013/09/10
MATERIAL NO.	
SEE TABLE	

SCALE	DESIGN UNITS	THIRD ANGLE PROJECTION
2:1	METRIC	☉
TITLE		
REC U12 12P AC FE XM M16 BM WIR UNSH BRA AU		
<b>molex</b>		
MATERIAL NO.	DOCUMENT NO.	SHEET NO.
SEE TABLE	SD-120084-077	1 OF 1