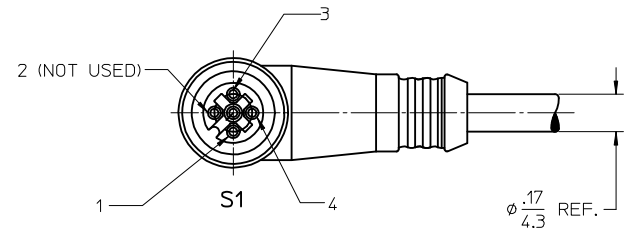
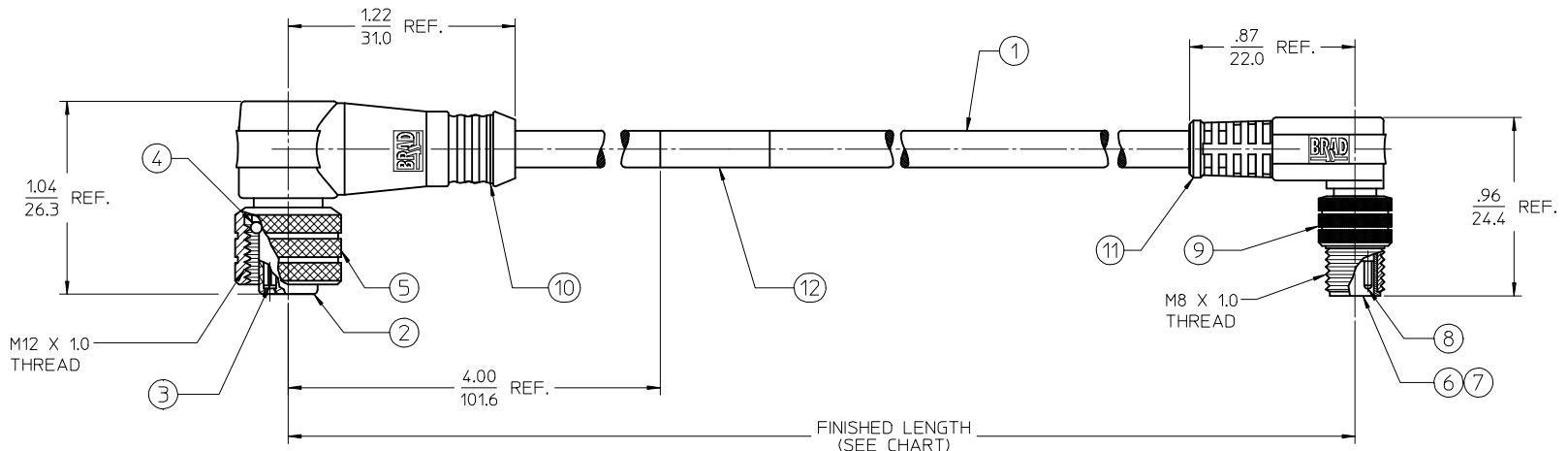
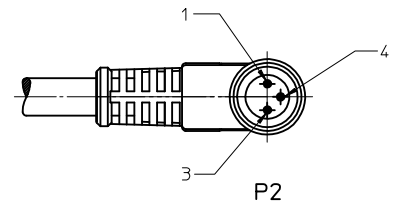


MATERIAL NO.	ENGINEERING NO.	FINISHED LENGTH
1200661919	843033B03M050	16'5" +6.50"-0 (5M +165.1mm-0)

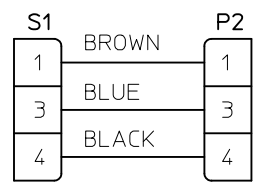


FEMALE FACE VIEW



MALE FACE VIEW

- NOTES:
1. MATERIAL: SEE TABLE
  2. FINISHES: SEE TABLE
  3. ELECTRICAL SPECIFICATIONS  
VOLTAGE RATING: 60VAC/75VDC  
CURRENT RATING: 4 AMPS
  4. PROTECTION: IP67
  5. ASSEMBLY IS RoHS COMPLIANT BY EXEMPTION



WIRING DIAGRAM

12	1	WRAP LABEL	VINYL	BLACK/YELLOW
11	1	NC OVERMOLD	TPE	YELLOW
10	1	MIC OVERMOLD	TPE	YELLOW
9	1	NC COUPLING	BRASS	NICKEL PLATED
8	3	CONTACT PIN	Cu ALLOY	GOLD PLATED
7	1	NC SLEEVE	Cu ALLOY	NICKEL PLATED
6	1	NC INSERT, 3P MALE	PUR	BLACK
5	1	MIC COUPLING	ZINC DIE-CAST	BLACK
4	1	O-RING	VITON	RED
3	3	MIC CONTACT SOCKET	Cu ALLOY	GOLD PLATED
2	1	MIC INSERT, 3P, FEMALE	NYLON	BLACK
1	A/R	CABLE, 22/3 HI-FLEX	PUR JACKET	BLACK
ITEM	QTY.	DESCRIPTION	MATERIAL	FINISH

RELEASED EC NO: IPG2013-1600 DRAWNRSTONE 2013/04/12 CHKDK JOZWIK 2013/04/17 APPR: JF MURPHY 2013/05/04	QUALITY SYMBOLS ▽=0 ▽=0	GENERAL TOLERANCES (UNLESS SPECIFIED)	DIMENSION STYLE IN/MM	SCALE 2:1	DESIGN UNITS INCH	THIRD ANGLE PROJECTION																
		<table border="1"> <tr> <th></th> <th>mm</th> <th>INCH</th> </tr> <tr> <td>4 PLACES</td> <td>± .005</td> <td>± .001</td> </tr> <tr> <td>3 PLACES</td> <td>± .005</td> <td>± .001</td> </tr> <tr> <td>2 PLACES</td> <td>± .010</td> <td>± .002</td> </tr> <tr> <td>1 PLACE</td> <td>± .030</td> <td>± .005</td> </tr> <tr> <td>0 PLACE</td> <td>± .000</td> <td>± .000</td> </tr> </table>		mm	INCH	4 PLACES	± .005	± .001	3 PLACES	± .005	± .001	2 PLACES	± .010	± .002	1 PLACE	± .030	± .005	0 PLACE	± .000	± .000	DRAWN BY RSTONE 2013/04/12	DATE 2013/04/12
	mm	INCH																				
4 PLACES	± .005	± .001																				
3 PLACES	± .005	± .001																				
2 PLACES	± .010	± .002																				
1 PLACE	± .030	± .005																				
0 PLACE	± .000	± .000																				
DRAFT WHERE APPLICABLE MUST REMAIN WITHIN DIMENSIONS	ANGULAR ± 2°	MATERIAL NO. SEE CHART	DOCUMENT NO. SD-120066-206	THIS DRAWING CONTAINS INFORMATION THAT IS PROPRIETARY TO MOLEX INCORPORATED AND SHOULD NOT BE USED WITHOUT WRITTEN PERMISSION																		