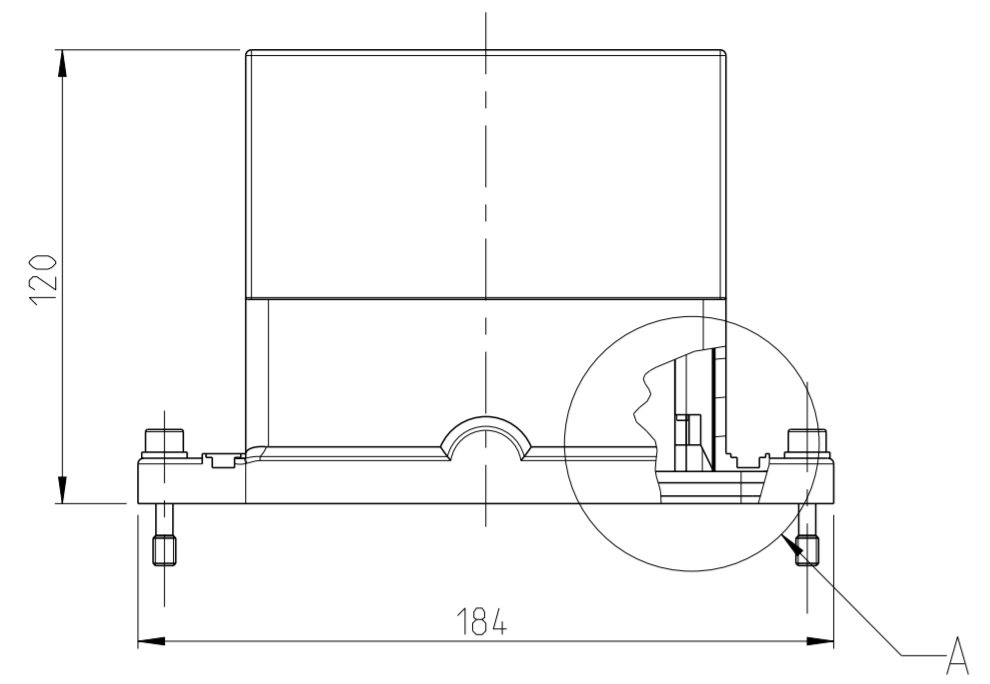
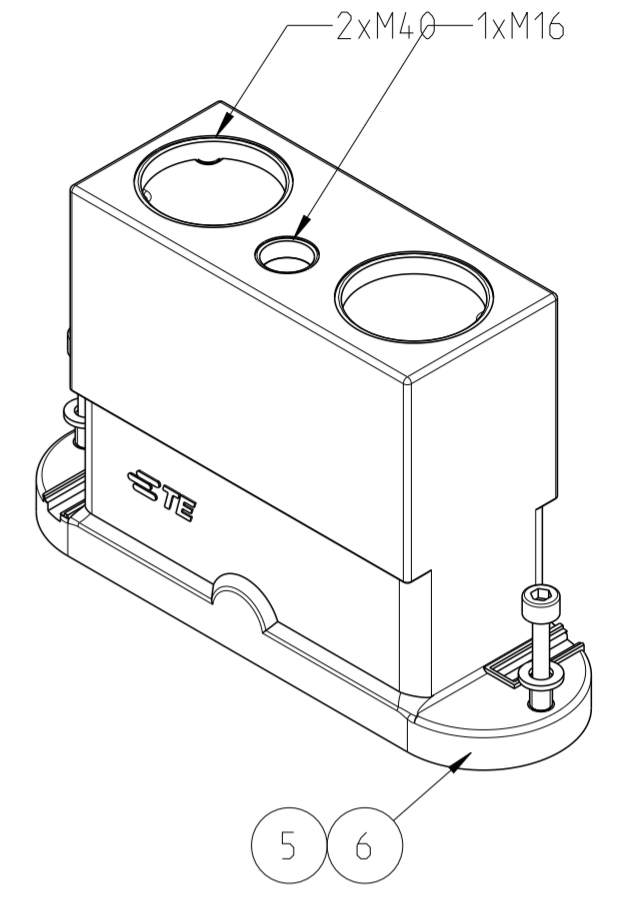
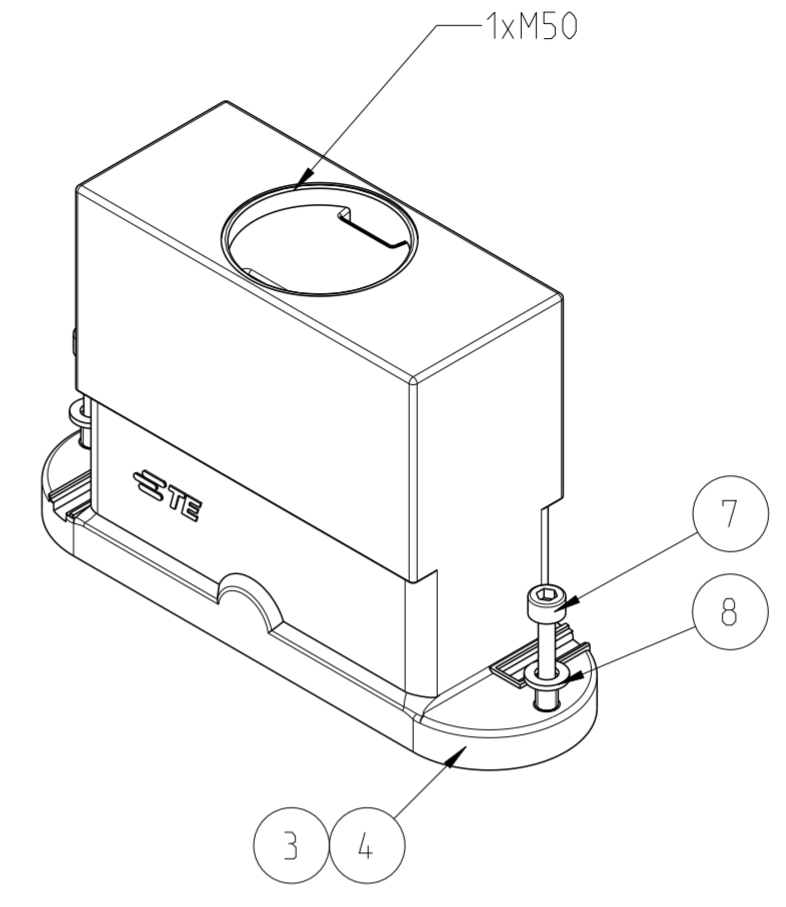
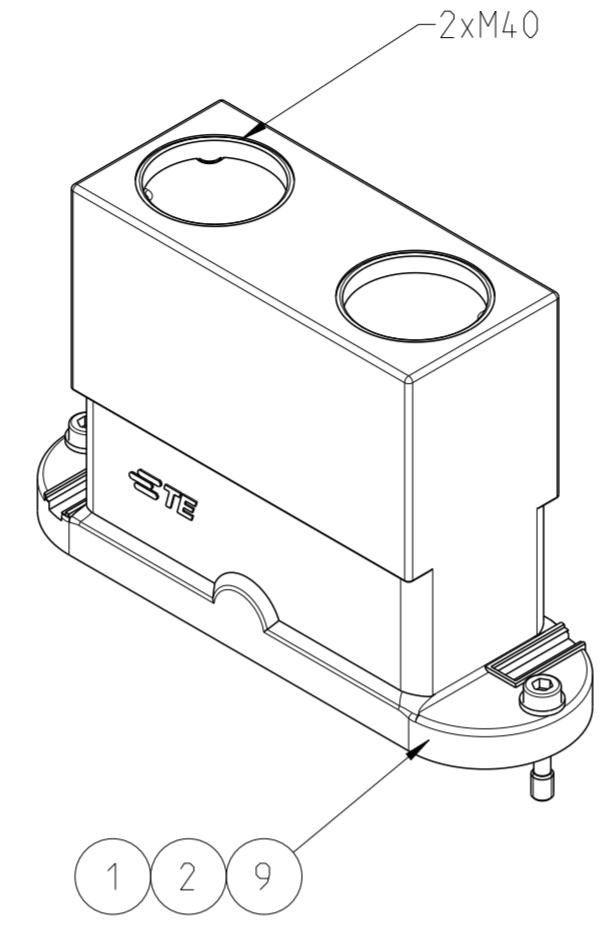
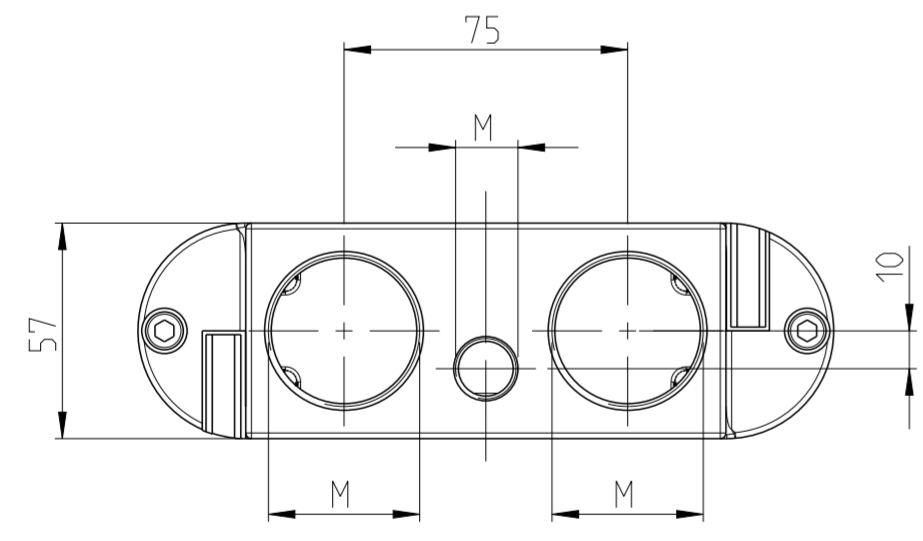
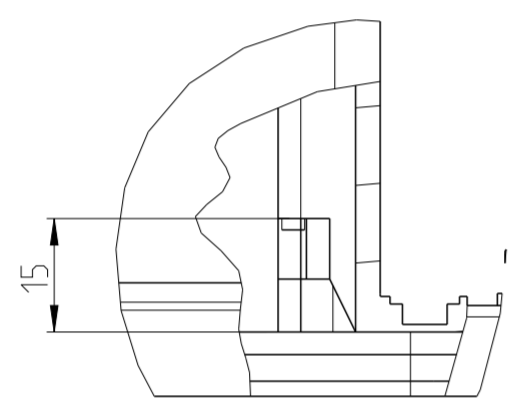


THIS DRAWING IS UNPUBLISHED. RELEASED FOR PUBLICATION 2006
 © COPYRIGHT 2006 BY - ALL RIGHTS RESERVED.

REVISIONS					
P	LTR	DESCRIPTION	DATE	DWN	APVD
B5		ECR-10-009777	24 JUN2010	GW	AR
B6		ECR-16-009335	06 JAN2016	GCM	MKO
B7		ECR-17-014011	28 MAR18	SG	MKO



DETAIL A (1:1)
~~ONLY PN 0-9~~



1-2	1-1	0-9	0-6	0-5	0-4	0-3	0-2	0-1	DESCRIPTION	MATERIAL	SURFACE	COLOR	NOTE	ITEM
									CONNECTOR HOUSING HIP-EMV-HF	ALU	CHROMIT AL TCP PASSIVATION	BLACK	WITHOUT LOGO / THREAD	13
									CONNECTOR HOUSING HIP-HF	ALU	HARD-COAT	BLACK	WITHOUT LOGO / THREAD	12
									CONNECTOR HOUSING EMV-K	ALU	CHROMIT AL TCP PASSIVATION	BLACK	2xM40	11
2	2	2	2	2	2	2	2	2	PANE	STAINL. STEEL	VA	SILVER	B6.4	8
2	2							2	SCREW	STAINL. STEEL	VA	SILVER	DIN EN ISO 4762-M6x30	7
									CONNECTOR HOUSING HIP-HF	ALU	HARD COAT	BLACK	2xM40+1xM16	6
									CONNECTOR HOUSING EMV-HF	ALU	CHROMIT AL TCP PASSIVATION	BLACK	2xM40+1xM16	5
									CONNECTOR HOUSING HIP-HF	ALU	HARD COAT	BLACK	1xM50	4
									CONNECTOR HOUSING EMV-HF	ALU	CHROMIT AL TCP PASSIVATION	BLACK	1xM50	3
									CONNECTOR HOUSING HIP-HF	ALU	HARD COAT	BLACK	2xM40	2
									CONNECTOR HOUSING EMV-HF	ALU	CHROMIT AL TCP PASSIVATION	BLACK	2xM40	1
X									HF-EMV-K.8.STO.2.M40.G					
								X	HF-HIP-K.8.STO.2.M40.G					
							X		HF-EMV-K.8.STO.1.M50.G					
					X				HF-HIP-K.8.STO.1.M50.G					
				X					HF-EMV-K.8.STO.2.M40.G+1.M16.G					
			X						HF-HIP-K.8.STO.2.M40.G+1.M16.G					
		X							HF-EMV-K.8.STO.2.M40.G.S0					
	X								HF-HIP-K.8.ST-N					
X									HF-EMV-K.8.ST-N					

- NOTES
- 1 ~~PN 0-9~~ ONLY BE USED WITH HF 8 CONTACTS AND ACCESSOIRES
 - 2 PACKAGING: 5 PIECES IN A CARTON

THIS DRAWING IS A CONTROLLED DOCUMENT.

DIMENSIONS: mm	TOLERANCES UNLESS OTHERWISE SPECIFIED:	DWN: G.WROBLEWSKI 24 JUN2010	 TE Connectivity
		CHK: A.ROESGEN 24 JUN2010	
		APVD: T.SCHNURPFEL 24 JUN2010	
		NAME: HOOD SERIES HF, SIZE 8	
MATERIAL: -	FINISH: -	PRODUCT SPEC: 108-74030	SIZE: A2
		APPLICATION SPEC: 114-74036	CAGE CODE: 00779
		WEIGHT: 0.683	DRAWING NO: C-1102839
		CUSTOMER DRAWING	RESTRICTED TO: -
		SCALE: 1:1	SHEET: 1 OF 1
			REV: B7