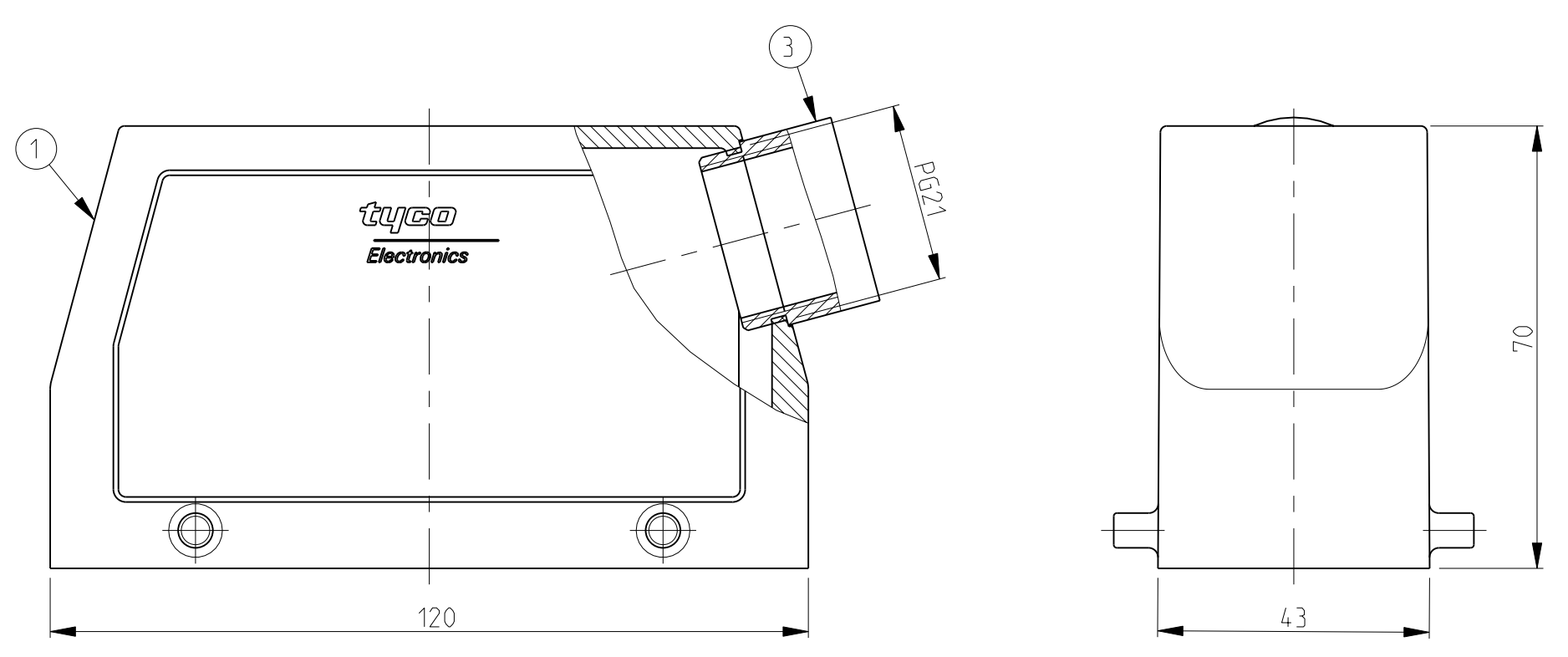


LOC	DIST	REVISIONS					
A1	-	P	LTR	DESCRIPTION	DATE	DWN	APVD
		B5		REVISED PER ECR-16-016768	24JAN2018	SRG	MKO

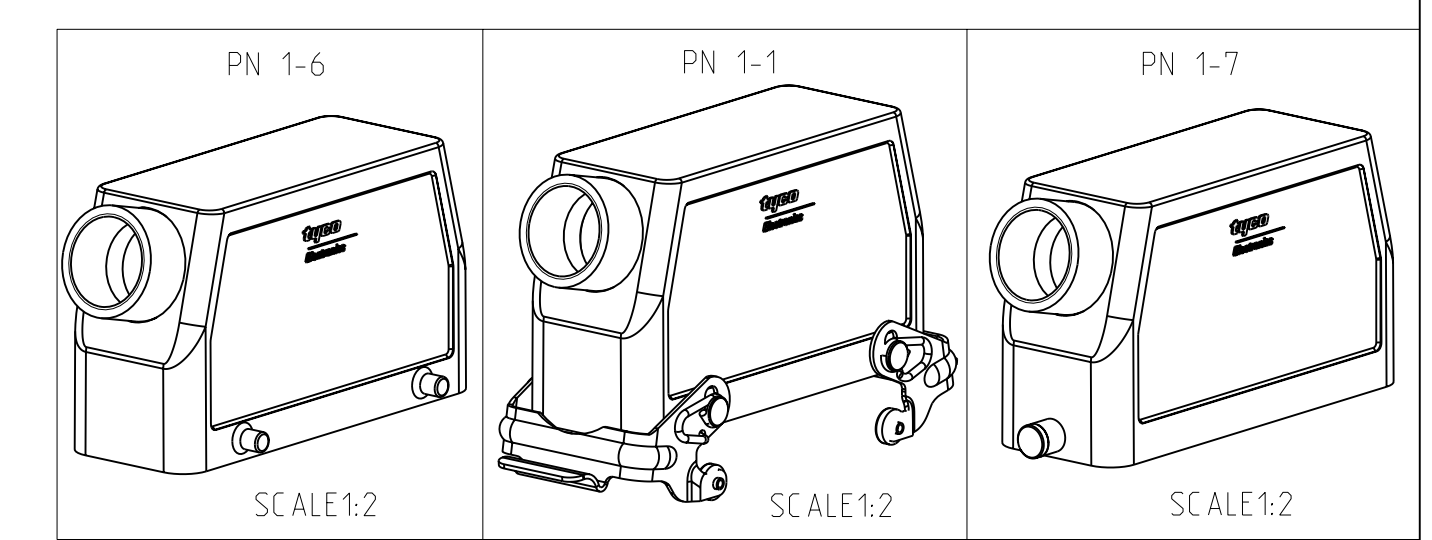
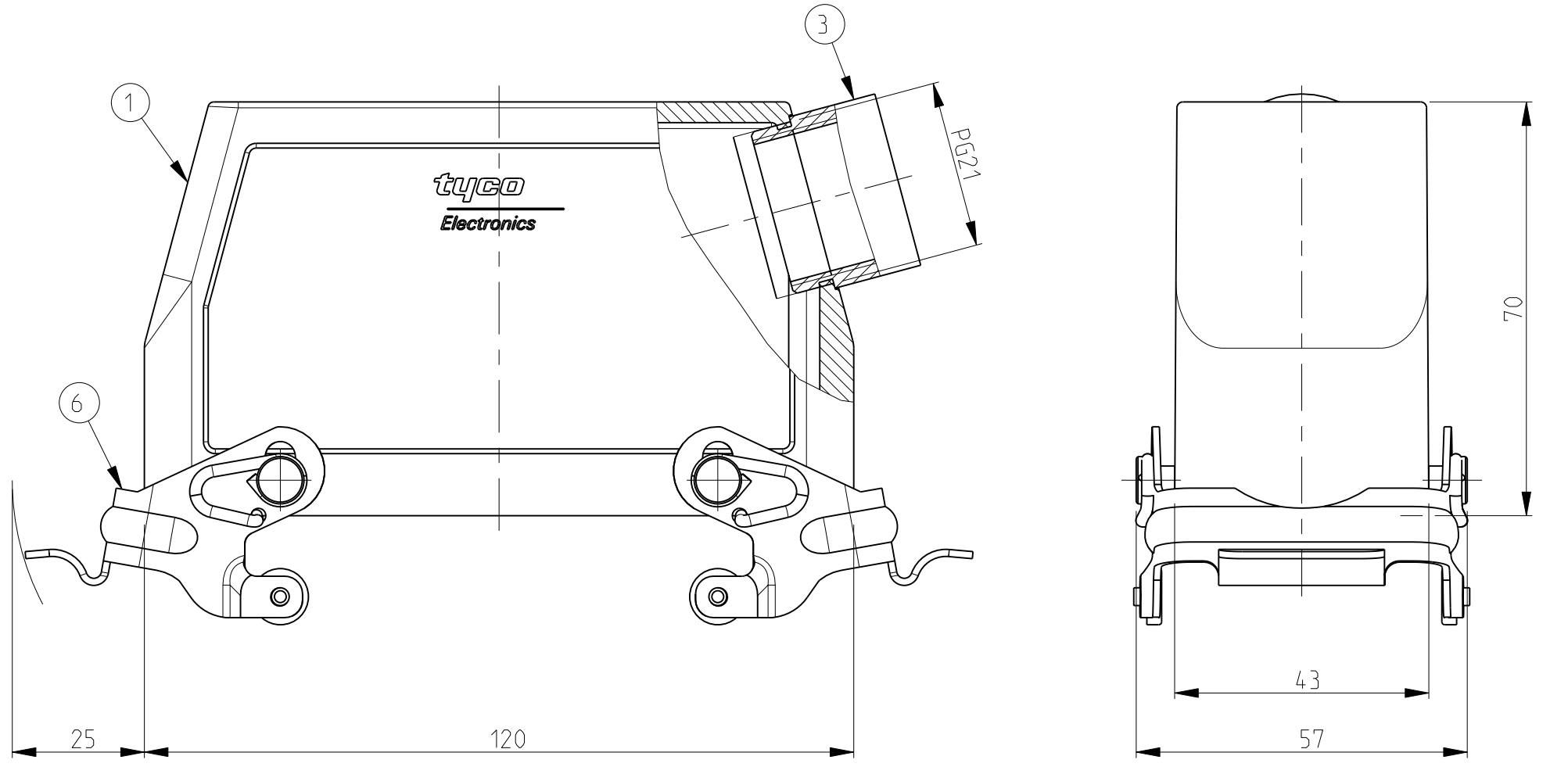
PN 1-6



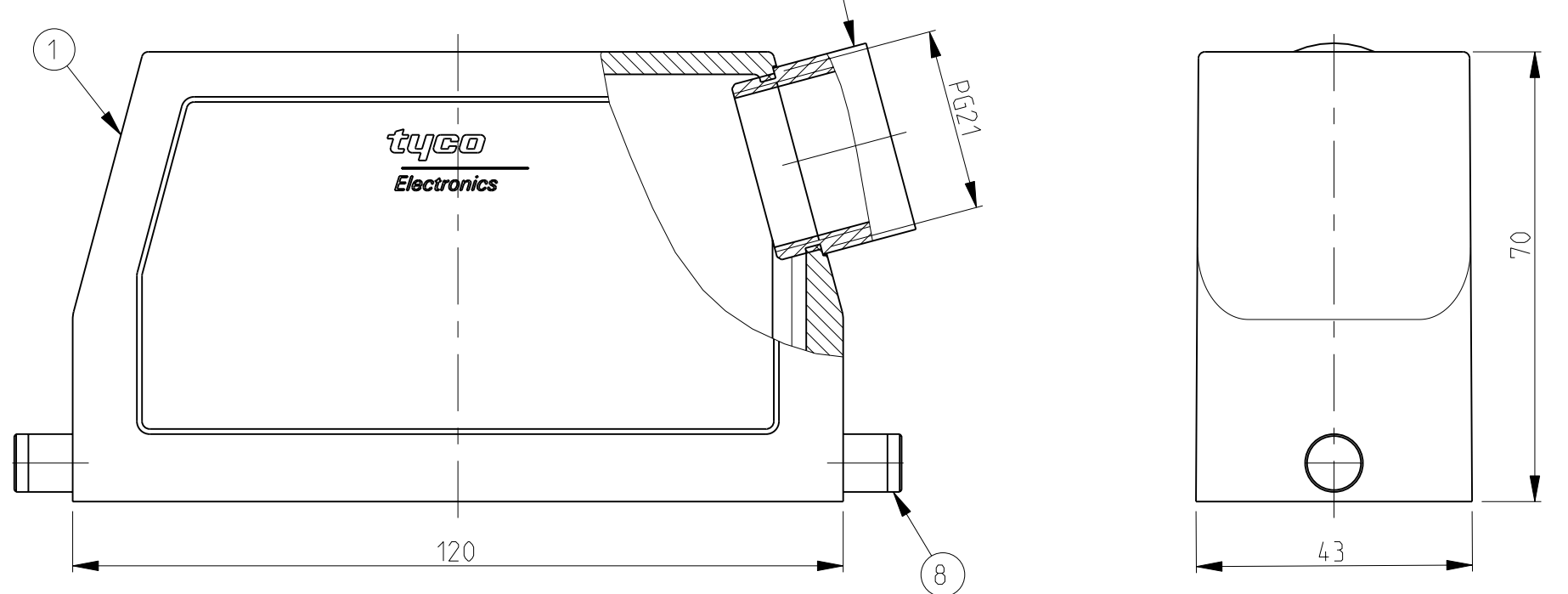
NOTES.

- 1 Material:Housing:Aluminium Diecasting Alloy
- 2 Surface:Varnish grey
- 3 Varnish on the inside not necessary
- 4 Packaging Quantity 5 Pieces in a box

PN 1-1



PN 1-7



QTY	DESCRIPTION	MATERIAL	SURFACE	COLOR	ITEM NO	REMARKS
1	ZB-Central clip	Stainless steel	-	-	11	
1	ZB-Central clip	Steel	Zinc plated	Blue	10	
2	LB-Clip bolt	Stainless steel	-	-	9	
2	LB-Clip bolt	Steel	Zinc plated	Blue	8	
2	VS-Locking clip	Stainless steel	-	-	7	
2	VS-Locking clip	Steel	Zinc plated	Blue	6	
4	VS-Locking clip bolt	Stainless steel	-	-	5	
1	6-kt- Adapter Ppg21	Brass	Nickel plated	-	4	
1	Adapter Ppg21	Brass	Nickel plated	-	3	
1	Hood HB.24.Pg.1.21	Aluminium	Aluminium oxide	Black	2	
1	Hood HB.24.Pg.1.21	Aluminium	-	Grey	1	
2-31-32-714-72-11-12-61-6	DESCRIPTION	MATERIAL	SURFACE	COLOR	ITEM NO	REMARKS
	DESCRIPTION					
	HB.24.Sts.1.21.Z					
	HB-K.24.Sts.1.21.Z					
	HB.24.Sts-VS.1.21.Z					
	HB-K.24.Sts-VS.1.21.Z					
	HB.24.Sts-GR.1.21.Z					
	HB-K.24.Sts-GR.1.21.Z					
	HB-Z.24.Sts-ZB.1.21.Z					
	HB-K.Z.24.Sts-ZB.1.21.Z					

THIS DRAWING IS UNPUBLISHED. RELEASED FOR PUBLICATION 1999 BY TYCO ELECTRONICS CORPORATION, ALL RIGHTS RESERVED.

DIMENSIONS: mm

TOLERANCES UNLESS OTHERWISE SPECIFIED:

0	±0.15
1	±0.20
2	±0.25
3	±0.30
4	±0.35
5	±0.40
6	±0.45
7	±0.50
8	±0.55
9	±0.60
10	±0.65
11	±0.70
12	±0.75
13	±0.80
14	±0.85
15	±0.90
16	±0.95
17	±1.00
18	±1.05
19	±1.10
20	±1.15
21	±1.20
22	±1.25
23	±1.30
24	±1.35
25	±1.40
26	±1.45
27	±1.50
28	±1.55
29	±1.60
30	±1.65
31	±1.70
32	±1.75
33	±1.80
34	±1.85
35	±1.90
36	±1.95
37	±2.00
38	±2.05
39	±2.10
40	±2.15
41	±2.20
42	±2.25
43	±2.30
44	±2.35
45	±2.40
46	±2.45
47	±2.50
48	±2.55
49	±2.60
50	±2.65
51	±2.70
52	±2.75
53	±2.80
54	±2.85
55	±2.90
56	±2.95
57	±3.00
58	±3.05
59	±3.10
60	±3.15
61	±3.20
62	±3.25
63	±3.30
64	±3.35
65	±3.40
66	±3.45
67	±3.50
68	±3.55
69	±3.60
70	±3.65
71	±3.70
72	±3.75
73	±3.80
74	±3.85
75	±3.90
76	±3.95
77	±4.00
78	±4.05
79	±4.10
80	±4.15
81	±4.20
82	±4.25
83	±4.30
84	±4.35
85	±4.40
86	±4.45
87	±4.50
88	±4.55
89	±4.60
90	±4.65
91	±4.70
92	±4.75
93	±4.80
94	±4.85
95	±4.90
96	±4.95
97	±5.00
98	±5.05
99	±5.10
100	±5.15

DWN: Schneider 20.07.1999  
 CHK: Schweiiger 20.07.1999  
 APVD: -

PRODUCT SPEC: 108-74001  
 108-74003  
 APPLICATION SPEC: 114-74001  
 114-74004

WEIGHT: -

CUSTOMER DRAW ING

SCALE: 1:1 SHEET: 1 OF 1 REV: B5

STE TE Connectivity

NAME: Hood  
 HB.24.STS.1.21.Z

SIZE: A1 CAGE CODE: 00779 DRAWING NO: C=1102315 RESTRICTED TO: -